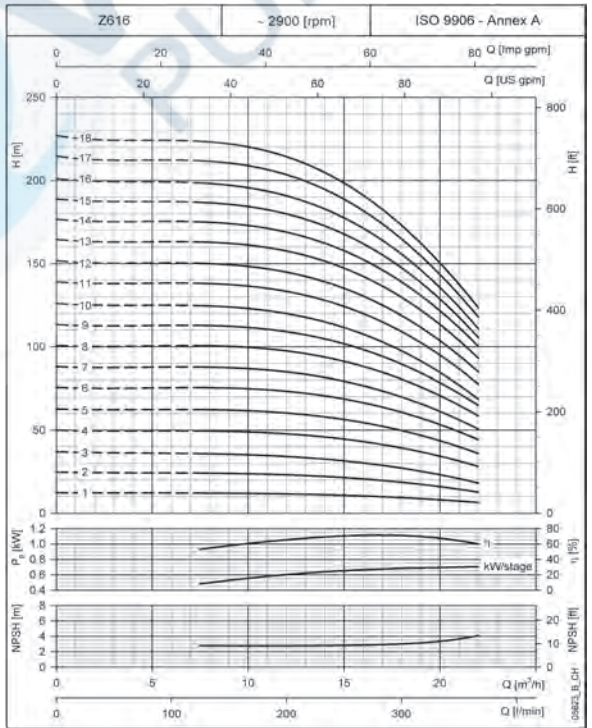
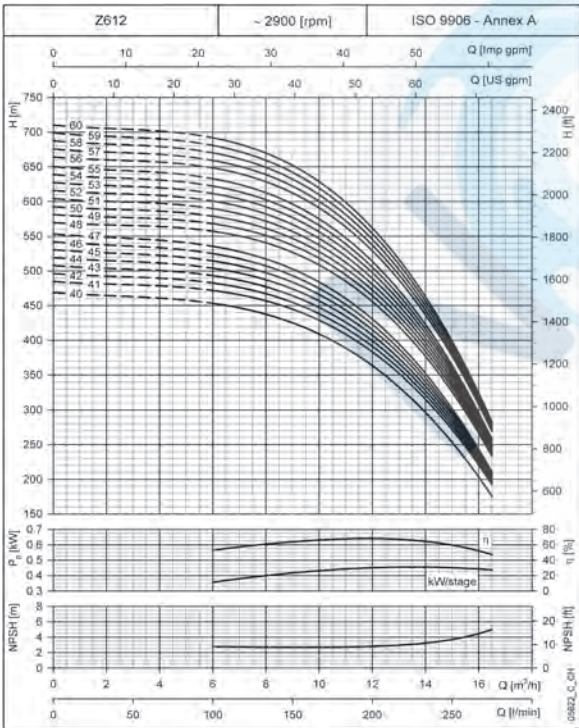
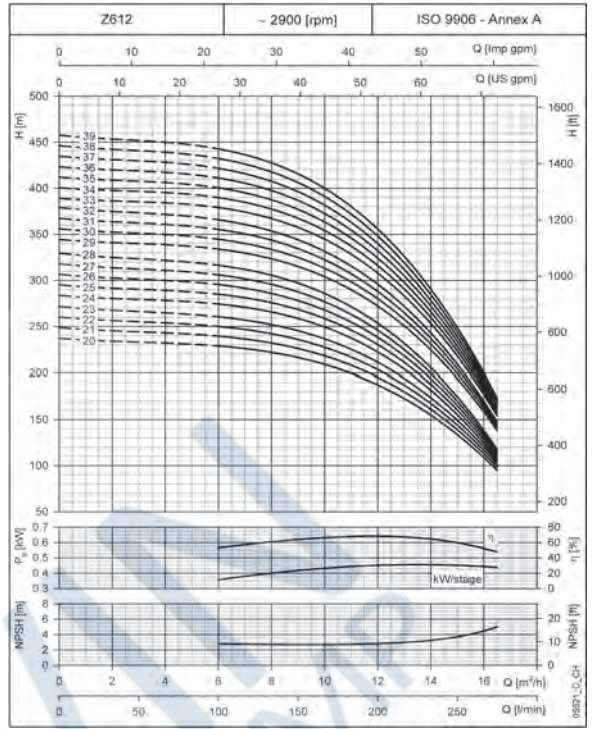
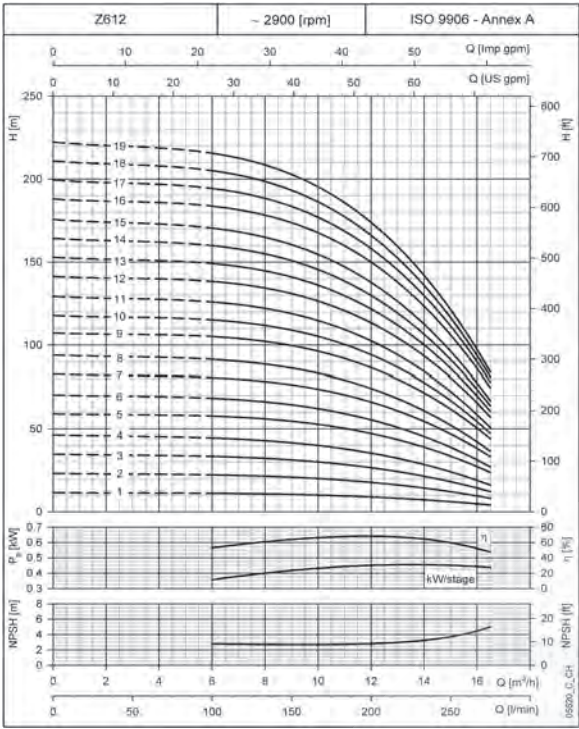


Z6 SERIES

Operating characteristics at 50 Hz

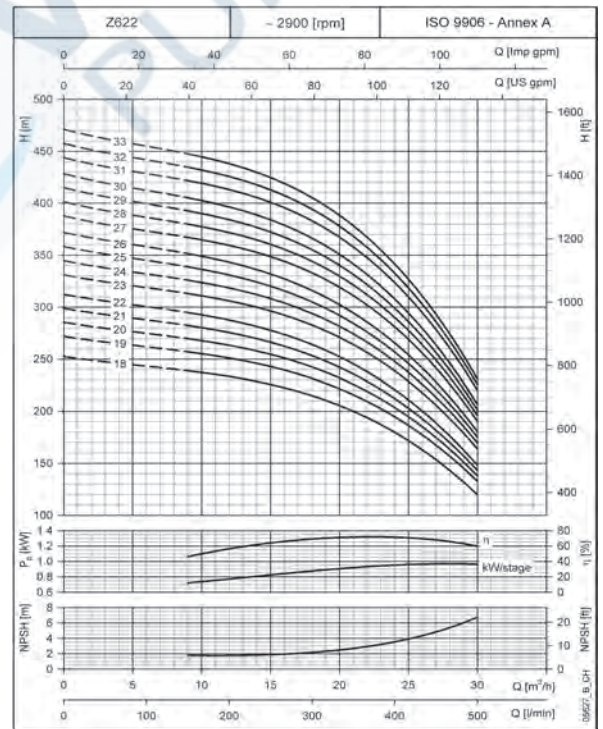
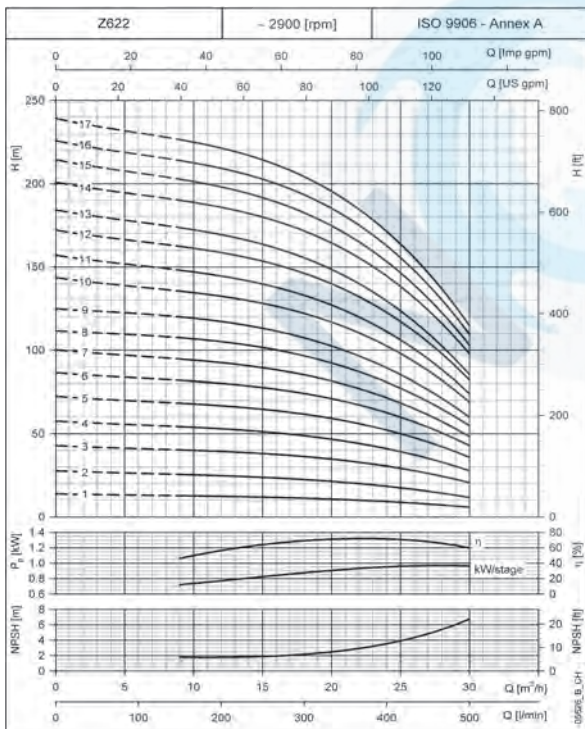
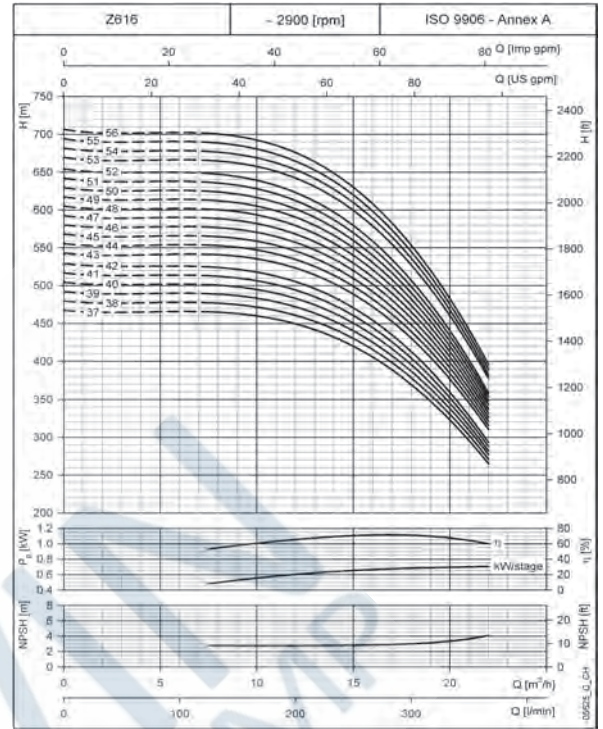
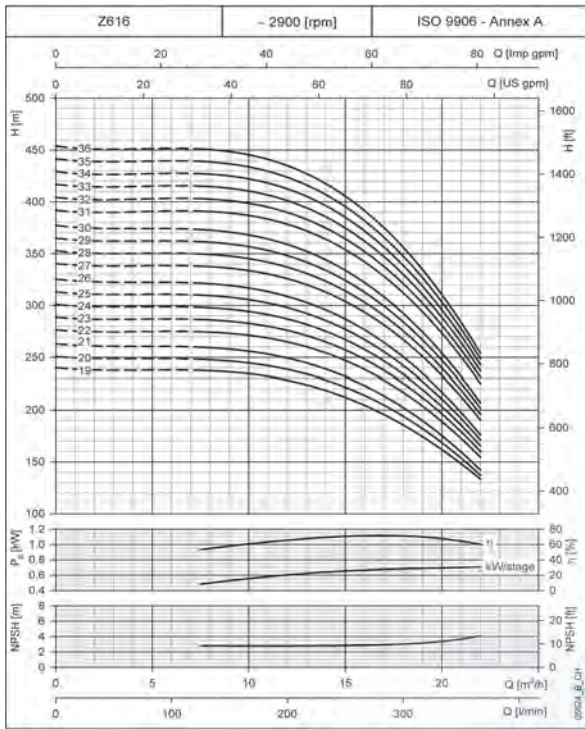
4



These performances are valid for liquids with density $\rho = 1.0 \text{ kg/dm}^3$ and kinematic viscosity $\nu = 1 \text{ mm}^2/\text{s}$.

Z6 SERIES

Operating characteristics at 50 Hz

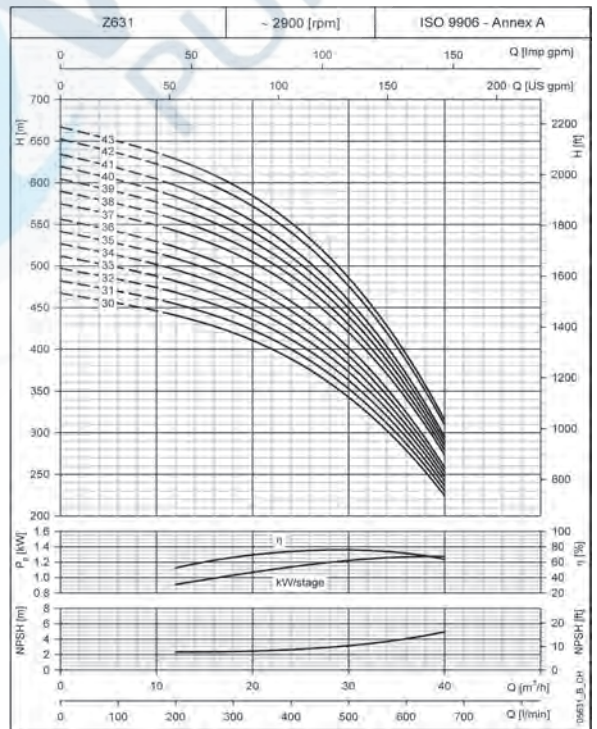
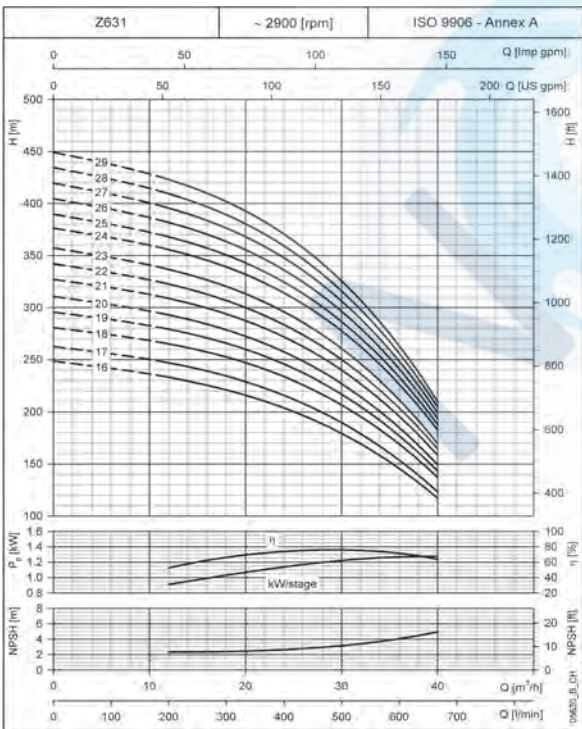
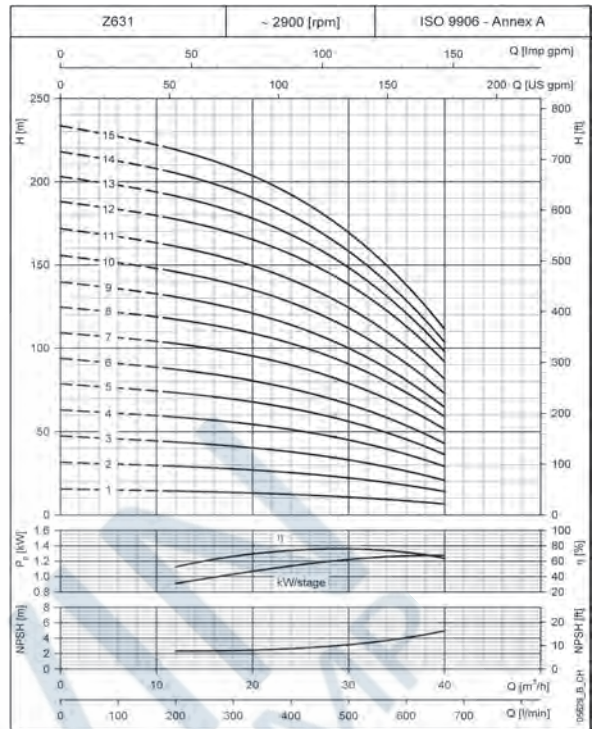
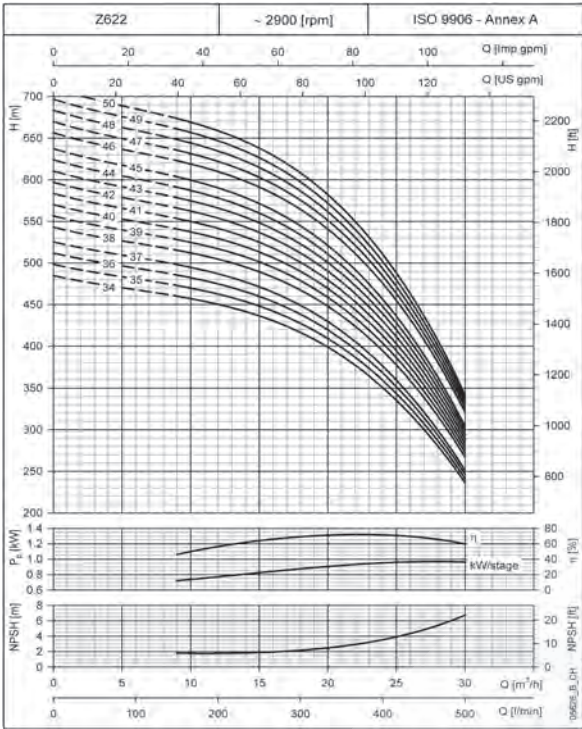


These performances are valid for liquids with density $\rho = 1.0 \text{ kg/dm}^3$ and kinematic viscosity $\nu = 1 \text{ mm}^2/\text{s}$.

Z6 SERIES

Operating characteristics at 50 Hz

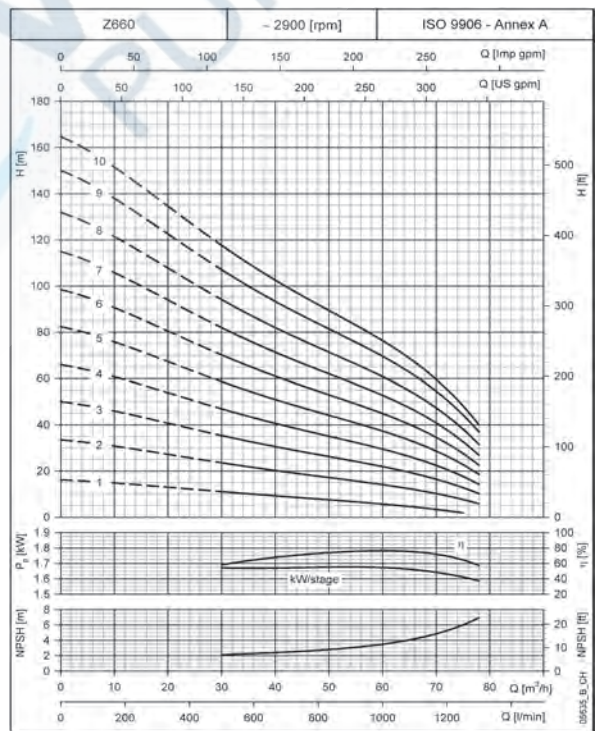
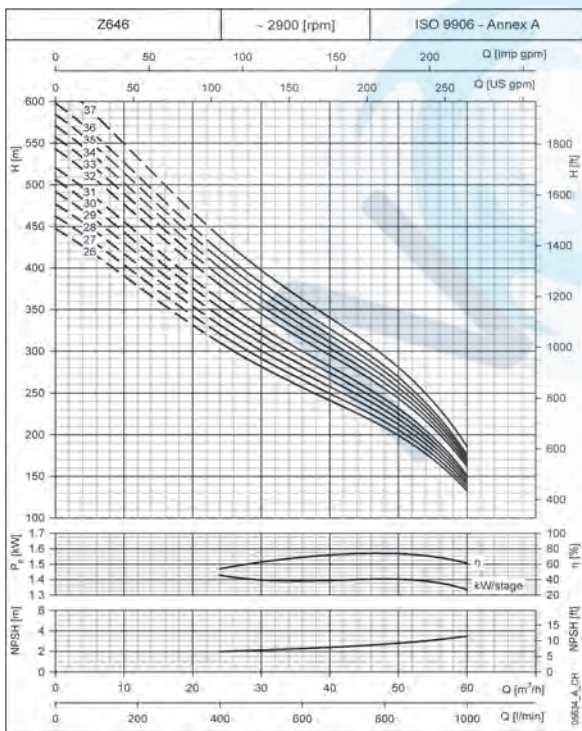
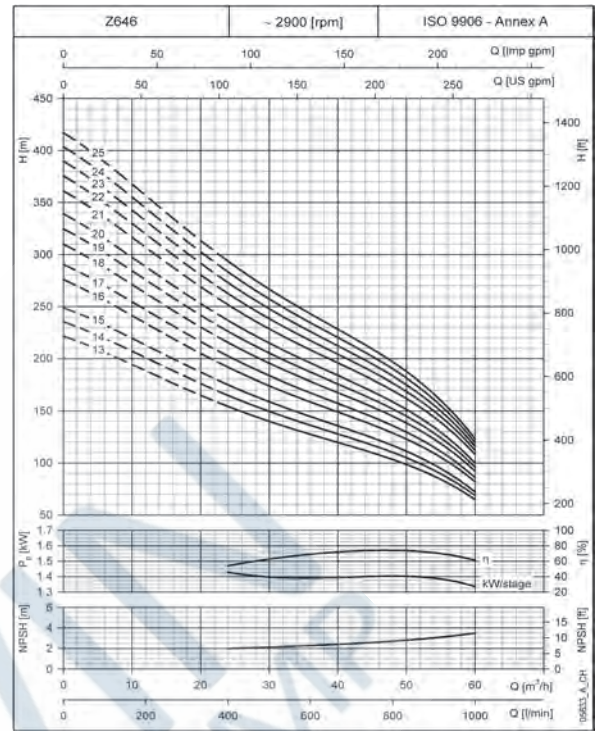
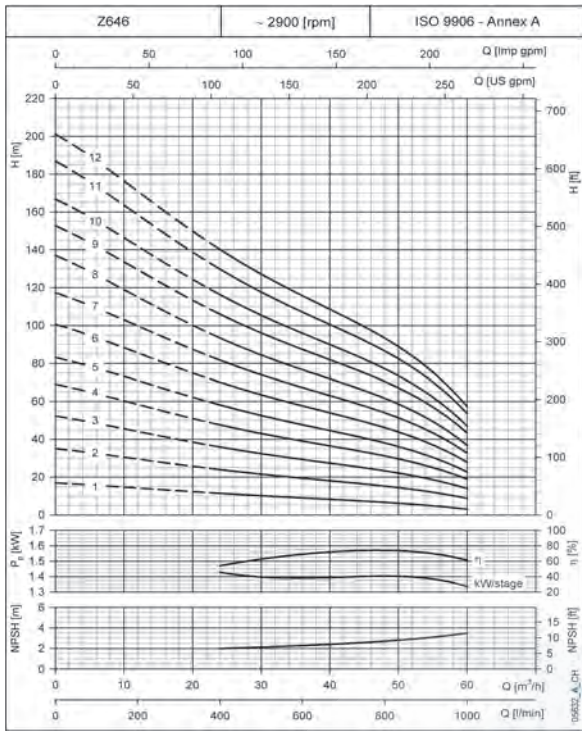
4



These performances are valid for liquids with density $\rho = 1.0 \text{ kg/dm}^3$ and kinematic viscosity $\nu = 1 \text{ mm}^2/\text{s}$.

Z6 SERIES

Operating characteristics at 50 Hz

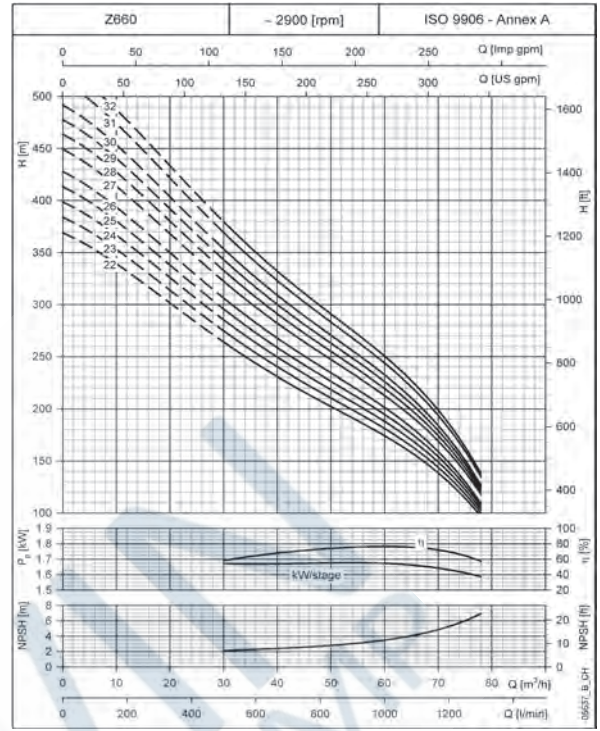
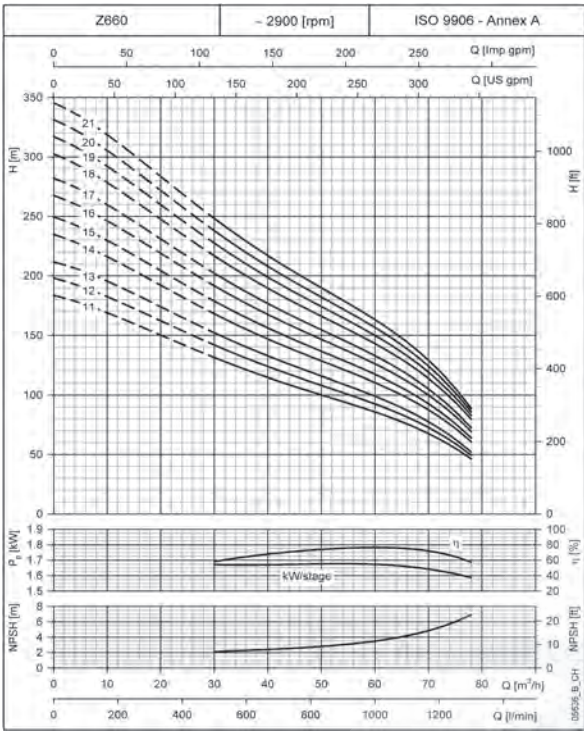


These performances are valid for liquids with density $\rho = 1.0 \text{ kg/dm}^3$ and kinematic viscosity $\nu = 1 \text{ mm}^2/\text{s}$.

Z6 SERIES

Operating characteristics at 50 Hz

4



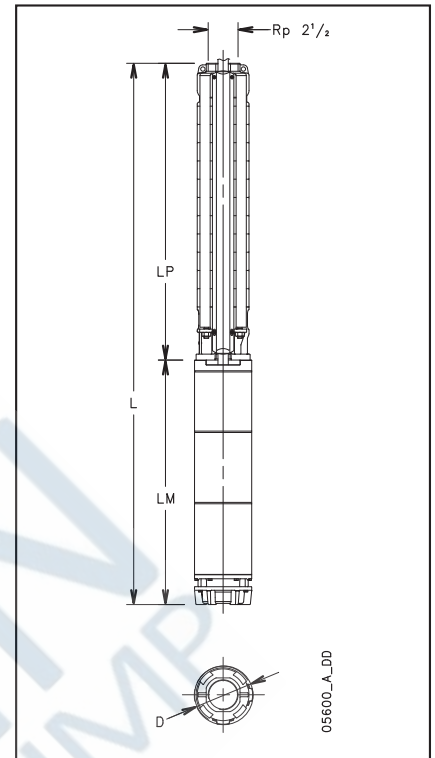
These performances are valid for liquids with density $\rho = 1.0 \text{ kg/dm}^3$ and kinematic viscosity $\nu = 1 \text{ mm}^2/\text{s}$.

Z612 SERIES, 1 TO 19 STAGES

Dimensions and weights

ELECTRO PUMP TYPE	RATED POWER kW	DIMENSIONS (mm)					WEIGHT Kg
		L	LM	LP	∅ D		
					1 Cable	2 Cables	
Z612 01-L4C	0,55	616	236	380	142	144	16
Z612 02-L4C	1,1	712	286	426	142	144	19
Z612 03-L4C	1,5	820	348	472	142	144	23
Z612 04-L4C	2,2	911	393	518	142	144	25
Z612 05-L4C	3	1108	544	564	142	144	34
Z612 06-L4C	3	1154	544	610	142	144	36
Z612 07-L4C	4	1270	614	656	142	144	40
Z612 08-L4C	4	1316	614	702	142	144	41
Z612 09-L4C	5,5	1432	684	748	142	144	45
Z612 10-L4C	5,5	1478	684	794	142	144	47
Z612 11-L4C	5,5	1524	684	840	142	144	48
Z612 12-L4C	7,5	1650	764	886	142	144	51
Z612 13-L4C	7,5	1696	764	932	142	144	52
Z612 14-L4C	7,5	1742	764	978	142	144	53
Z612 15-L4C	7,5	1788	764	1024	142	144	55
Z612 07-L6W	4	1239	583	656	144	146	54
Z612 08-L6W	4	1285	583	702	144	146	55
Z612 09-L6W	5,5	1361	613	748	144	146	61
Z612 10-L6W	5,5	1407	613	794	144	146	62
Z612 11-L6W	5,5	1453	613	840	144	146	63
Z612 12-L6W	7,5	1539	653	886	144	146	68
Z612 13-L6W	7,5	1585	653	932	144	146	69
Z612 14-L6W	7,5	1631	653	978	144	146	70
Z612 15-L6W	7,5	1677	653	1024	144	146	72
Z612 16-L6W	9,3	1753	683	1070	144	146	77
Z612 17-L6W	9,3	1799	683	1116	144	146	78
Z612 18-L6W	9,3	1845	683	1162	144	146	79
Z612 19-L6W	9,3	1891	683	1208	144	146	80

z612-1-50-en_a_td

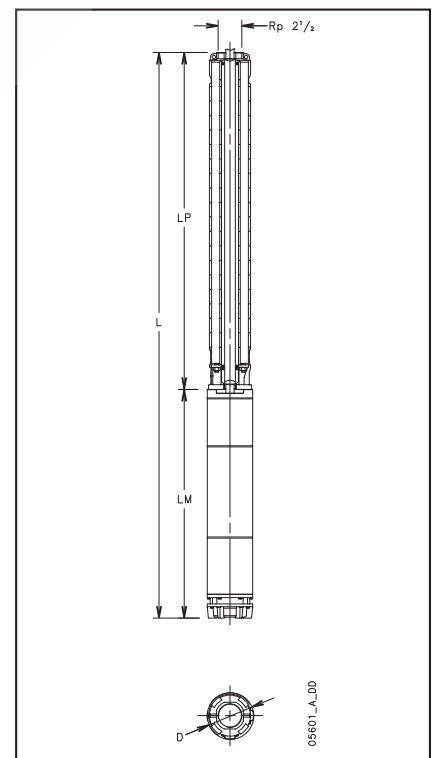


Z612 SERIES, 20 TO 39 STAGES

Dimensions and weights

ELECTRO PUMP TYPE	RATED POWER kW	DIMENSIONS (mm)					WEIGHT Kg
		L	LM	LP	∅ D		
					1 Cable	2 Cables	
Z612 20-L6W	11	1977	723	1254	144	146	86
Z612 21-L6W	11	2023	723	1300	144	146	87
Z612 22-L6W	11	2069	723	1346	144	146	88
Z612 23-L6W	11	2161	723	1438	144	146	90
Z612 24-L6W	13	2247	763	1484	144	146	95
Z612 25-L6W	13	2293	763	1530	144	146	96
Z612 26-L6W	13	2339	763	1576	144	146	98
Z612 27-L6W	13	2385	763	1622	144	146	99
Z612 28-L6W	13	2431	763	1668	144	146	100
Z612 29-L6W	15	2547	833	1714	144	146	109
Z612 30-L6W	15	2593	833	1760	144	146	110
Z612 31-L6W	15	2639	833	1806	144	146	112
Z612 32-L6W	15	2685	833	1852	144	146	113
Z612 33-L6W	18,5	2801	903	1898	144	146	122
Z612 34-L6W	18,5	2847	903	1944	144	146	123
Z612 35-L6W	18,5	2893	903	1990	144	146	124
Z612 36-L6W	18,5	2985	903	2082	144	146	126
Z612 37-L6W	18,5	3031	903	2128	144	146	128
Z612 38-L6W	18,5	3077	903	2174	144	146	129
Z612 39-L6W	18,5	3123	903	2220	144	146	130

z612-2-50-en_b_td

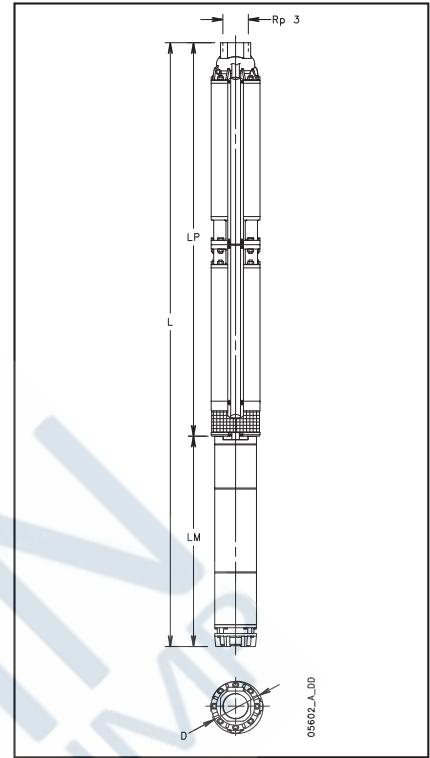


Z612 SERIES, 40 TO 60 STAGES

Dimensions and weights

ELECTRO PUMP TYPE	RATED POWER kW	DIMENSIONS (mm)					WEIGHT Kg
		L	LM	LP	ø D		
					1 Cable	2 Cables	
Z612 40D-L6W	18,5	3825	903	2922	177	180	188
Z612 41D-L6W	22	3865	943	2922	177	180	192
Z612 42D-L6W	22	3865	943	2922	177	180	193
Z612 43D-L6W	22	3865	943	2922	177	180	193
Z612 44D-L6W	22	3865	943	2922	177	180	194
Z612 45D-L6W	22	3865	943	2922	177	180	194
Z612 46D-L6W	22	3865	943	2922	177	180	195
Z612 47D-L6W	22	3865	943	2922	177	180	195
Z612 48D-L6W	26	4407	1071	3336	177	180	217
Z612 49D-L6W	26	4407	1071	3336	177	180	218
Z612 50D-L6W	26	4407	1071	3336	177	180	218
Z612 51D-L6W	26	4407	1071	3336	177	180	219
Z612 52D-L6W	26	4407	1071	3336	177	180	219
Z612 53D-L6W	26	4407	1071	3336	177	180	220
Z612 54D-L6W	26	4407	1071	3336	177	180	221
Z612 55D-L6W	26	4407	1071	3336	177	180	221
Z612 56D-L6W	30	4487	1151	3336	177	180	230
Z612 57D-L6W	30	4625	1151	3474	177	180	234
Z612 58D-L6W	30	4625	1151	3474	177	180	234
Z612 59D-L6W	30	4625	1151	3474	177	180	235
Z612 60D-L6W	30	4763	1151	3612	177	180	239

z612-3-50-en_b_td

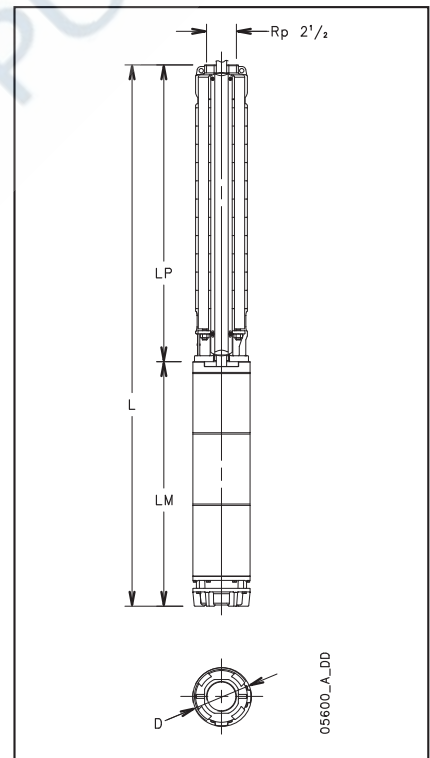


Z616 SERIES, 1 TO 18 STAGES

Dimensions and weights

ELECTRO PUMP TYPE	RATED POWER kW	DIMENSIONS (mm)					WEIGHT Kg
		L	LM	LP	ø D		
					1 Cable	2 Cables	
Z616 01-L4C	0,75	646	266	380	142	144	17
Z616 02-L4C	1,5	774	348	426	142	144	22
Z616 03-L4C	2,2	865	393	472	142	144	24
Z616 04-L4C	3	1062	544	518	142	144	33
Z616 05-L4C	4	1178	614	564	142	144	37
Z616 06-L4C	5,5	1294	684	610	142	144	42
Z616 07-L4C	5,5	1340	684	656	142	144	43
Z616 08-L4C	7,5	1466	764	702	142	144	46
Z616 09-L4C	7,5	1512	764	748	142	144	48
Z616 10-L4C	7,5	1558	764	794	142	144	49
Z616 05-L6W	4	1147	583	564	144	146	52
Z616 06-L6W	5,5	1223	613	610	144	146	57
Z616 07-L6W	5,5	1269	613	656	144	146	58
Z616 08-L6W	7,5	1355	653	702	144	146	63
Z616 09-L6W	7,5	1401	653	748	144	146	65
Z616 10-L6W	7,5	1447	653	794	144	146	66
Z616 11-L6W	9,3	1523	683	840	144	146	71
Z616 12-L6W	9,3	1569	683	886	144	146	72
Z616 13-L6W	11	1655	723	932	144	146	77
Z616 14-L6W	11	1701	723	978	144	146	78
Z616 15-L6W	11	1747	723	1024	144	146	80
Z616 16-L6W	11	1793	723	1070	144	146	81
Z616 17-L6W	13	1879	763	1116	144	146	86
Z616 18-L6W	13	1925	763	1162	144	146	87

z616-1-50-en_a_td

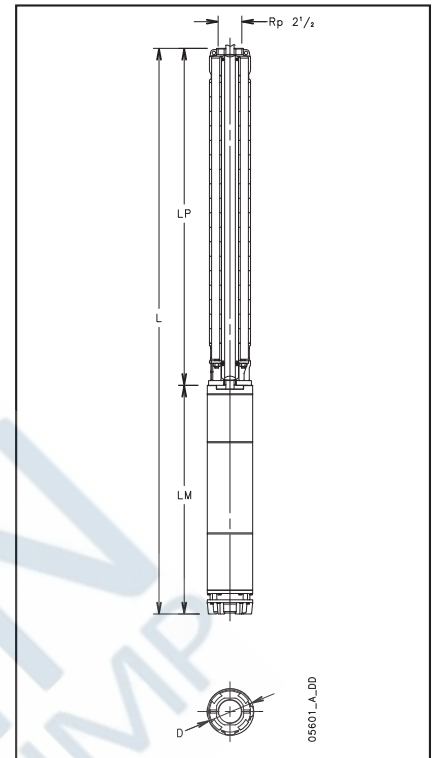


Z616 SERIES, 19 TO 36 STAGES

Dimensions and weights

ELECTRO PUMP TYPE	RATED POWER kW	DIMENSIONS (mm)					WEIGHT Kg
		L	LM	LP	ø D		
					1 Cable	2 Cables	
Z616 19-L6W	15	2041	833	1208	144	146	96
Z616 20-L6W	15	2087	833	1254	144	146	98
Z616 21-L6W	15	2133	833	1300	144	146	99
Z616 22-L6W	18,5	2249	903	1346	144	146	108
Z616 23-L6W	18,5	2341	903	1438	144	146	110
Z616 24-L6W	18,5	2387	903	1484	144	146	111
Z616 25-L6W	18,5	2433	903	1530	144	146	112
Z616 26-L6W	18,5	2479	903	1576	144	146	114
Z616 27-L6W	22	2565	943	1622	144	146	118
Z616 28-L6W	22	2611	943	1668	144	146	119
Z616 29-L6W	22	2657	943	1714	144	146	120
Z616 30-L6W	22	2703	943	1760	144	146	121
Z616 31-L6W	26	2877	1071	1806	144	146	132
Z616 32-L6W	26	2923	1071	1852	144	146	133
Z616 33-L6W	26	2969	1071	1898	144	146	134
Z616 34-L6W	26	3015	1071	1944	144	146	135
Z616 35-L6W	26	3061	1071	1990	144	146	136
Z616 36-L6W	26	3153	1071	2082	144	146	138

z616-2-50-en_a_td

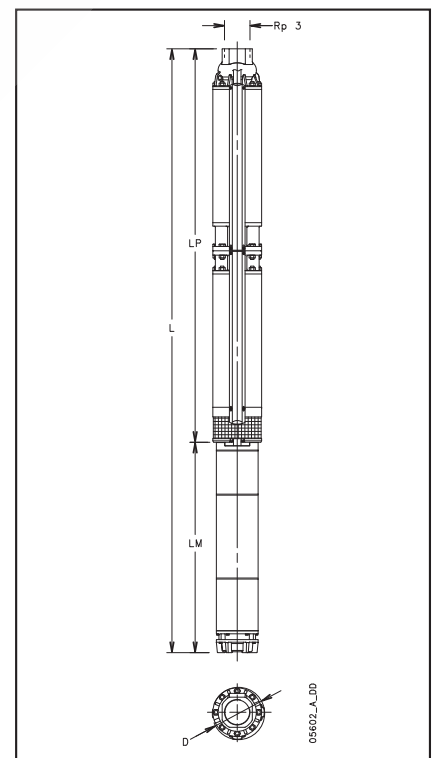


Z616 SERIES, 37 TO 56 STAGES

Dimensions and weights

ELECTRO PUMP TYPE	RATED POWER kW	DIMENSIONS (mm)					WEIGHT Kg
		L	LM	LP	ø D		
					1 Cable	2 Cables	
Z616 37D-L6W	30	3659	1151	2508	177	180	197
Z616 38D-L6W	30	3659	1151	2508	177	180	197
Z616 39D-L6W	30	4073	1151	2922	177	180	208
Z616 40D-L6W	30	4073	1151	2922	177	180	208
Z616 41D-L6W	30	4073	1151	2922	177	180	209
Z616 42D-L6W	30	4073	1151	2922	177	180	210
Z616 43D-L6W	37	4223	1301	2922	177	180	224
Z616 44D-L6W	37	4223	1301	2922	177	180	225
Z616 45D-L6W	37	4223	1301	2922	177	180	225
Z616 46D-L6W	37	4223	1301	2922	177	180	226
Z616 47D-L6W	37	4223	1301	2922	177	180	226
Z616 48D-L6W	37	4637	1301	3336	177	180	239
Z616 49D-L6W	37	4637	1301	3336	177	180	240
Z616 50D-L6W	37	4637	1301	3336	177	180	240
Z616 51D-L6W	37	4637	1301	3336	177	180	241
Z616 52D-L6W	37	4637	1301	3336	177	180	241
Z616 53D-L8W	45	4580	1195	3385	193	195	316
Z616 54D-L8W	45	4580	1195	3385	193	195	317
Z616 55D-L8W	45	4580	1195	3385	193	195	318
Z616 56D-L8W	45	4580	1195	3385	193	195	318

z616-3-50-en_a_td

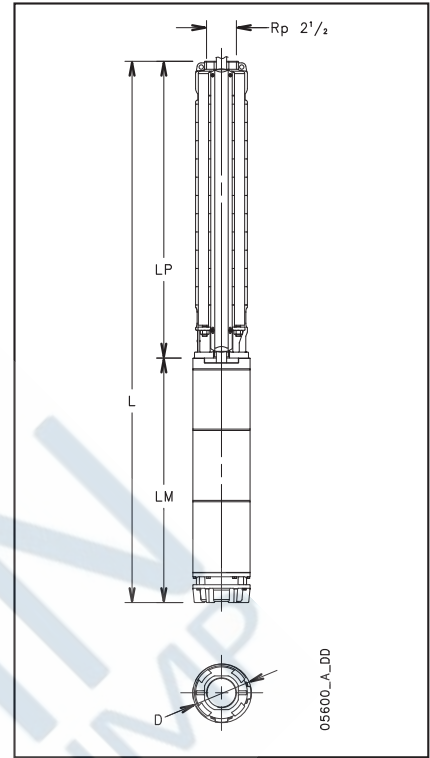


Z622 SERIES, 1 TO 17 STAGES

Dimensions and weights

ELECTRO PUMP TYPE	RATED POWER kW	DIMENSIONS (mm)					WEIGHT Kg
		L	LM	LP	ø D		
					1 Cable	2 Cables	
Z622 01-L4C	1,1	643	286	357	142	144	17
Z622 02-L4C	2,2	819	393	426	142	144	23
Z622 03-L4C	3	1039	544	495	142	144	32
Z622 04-L4C	4	1178	614	564	142	144	38
Z622 05-L4C	5,5	1317	684	633	142	144	42
Z622 06-L4C	7,5	1466	764	702	142	144	46
Z622 07-L4C	7,5	1535	764	771	142	144	47
Z622 04-L6W	4	1147	583	564	144	146	52
Z622 05-L6W	5,5	1246	613	633	144	146	57
Z622 06-L6W	7,5	1355	653	702	144	146	63
Z622 07-L6W	7,5	1424	653	771	144	146	64
Z622 08-L6W	9,3	1523	683	840	144	146	70
Z622 09-L6W	9,3	1592	683	909	144	146	71
Z622 10-L6W	11	1701	723	978	144	146	77
Z622 11-L6W	11	1770	723	1047	144	146	78
Z622 12-L6W	13	1879	763	1116	144	146	84
Z622 13-L6W	13	1948	763	1185	144	146	85
Z622 14-L6W	15	2087	833	1254	144	146	95
Z622 15-L6W	15	2156	833	1323	144	146	97
Z622 16-L6W	18,5	2295	903	1392	144	146	106
Z622 17-L6W	18,5	2364	903	1461	144	146	108

z622-1-50-en_a_td



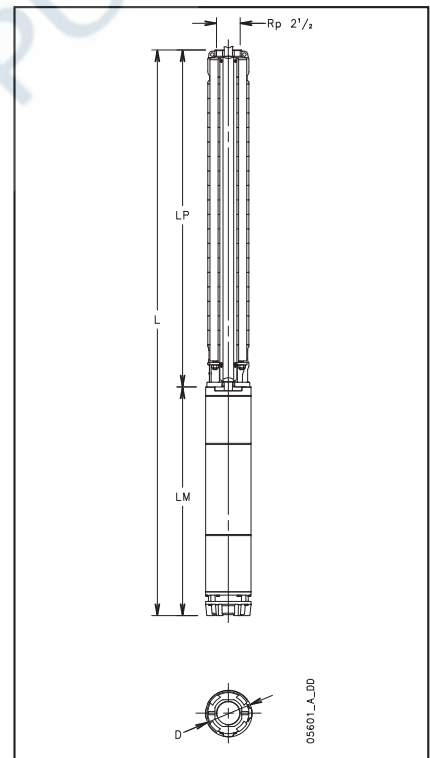
4

Z622 SERIES, 18 TO 33 STAGES

Dimensions and weights

ELECTRO PUMP TYPE	RATED POWER kW	DIMENSIONS (mm)					WEIGHT Kg
		L	LM	LP	ø D		
					1 Cable	2 Cables	
Z622 18-L6W	18,5	2433	903	1530	144	146	109
Z622 19-L6W	22	2542	943	1599	144	146	114
Z622 20-L6W	22	2611	943	1668	144	146	116
Z622 21-L6W	22	2680	943	1737	144	146	117
Z622 22-L6W	22	2749	943	1806	144	146	119
Z622 23-L6W	26	2946	1071	1875	144	146	129
Z622 24-L6W	26	3015	1071	1944	144	146	131
Z622 25-L6W	26	3084	1071	2013	144	146	133
Z622 26-L6W	26	3153	1071	2082	144	146	134
Z622 27-L6W	30	3302	1151	2151	144	146	144
Z622 28-L6W	30	3371	1151	2220	144	146	145
Z622 29-L6W	30	3440	1151	2289	144	146	147
Z622 30-L6W	30	3509	1151	2358	144	146	148
Z622 31-L6W	37	3728	1301	2427	144	146	164
Z622 32-L6W	37	3797	1301	2496	144	146	165
Z622 33-L6W	37	3866	1301	2565	144	146	167

z622-2-50-en_a_td

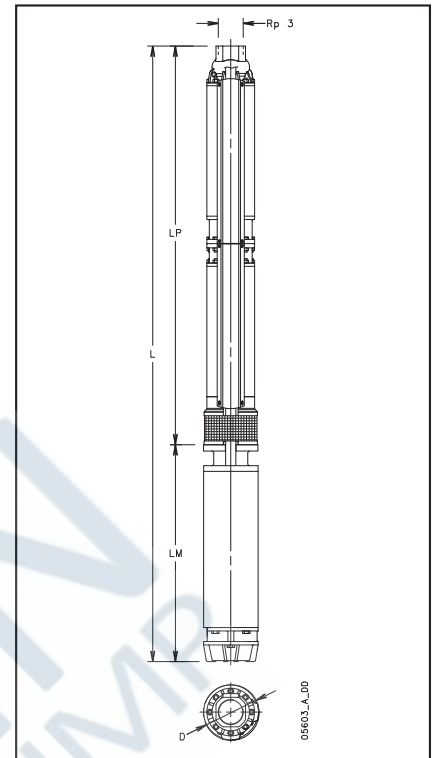


Z622, 34 TO 50 STAGES

Dimensions and weights

ELECTRO PUMP TYPE	RATED POWER kW	DIMENSIONS (mm)					WEIGHT Kg
		L	LM	LP	ø D		
					1 Cable	2 Cables	
Z622 34D-L6W	37	4223	1301	2922	177	180	221
Z622 35D-L6W	37	4637	1301	3336	177	180	233
Z622 36D-L6W	37	4637	1301	3336	177	180	234
Z622 37D-L6W	37	4637	1301	3336	177	180	235
Z622 38D-L8W	45	4580	1195	3385	193	195	310
Z622 39D-L8W	45	4580	1195	3385	193	195	311
Z622 40D-L8W	45	4580	1195	3385	193	195	311
Z622 41D-L8W	45	4718	1195	3523	193	195	315
Z622 42D-L8W	45	4718	1195	3523	193	195	316
Z622 43D-L8W	45	4856	1195	3661	193	195	321
Z622 44D-L8W	45	4856	1195	3661	193	195	321
Z622 45D-L8W	45	5063	1195	3868	193	195	327
Z622 46D-L8W	52	5153	1285	3868	193	195	348
Z622 47D-L8W	52	5153	1285	3868	193	195	348
Z622 48D-L8W	52	5360	1285	4075	193	195	355
Z622 49D-L8W	52	5360	1285	4075	193	195	356
Z622 50D-L8W	52	5360	1285	4075	193	195	357

z622-3-50-en_a_td

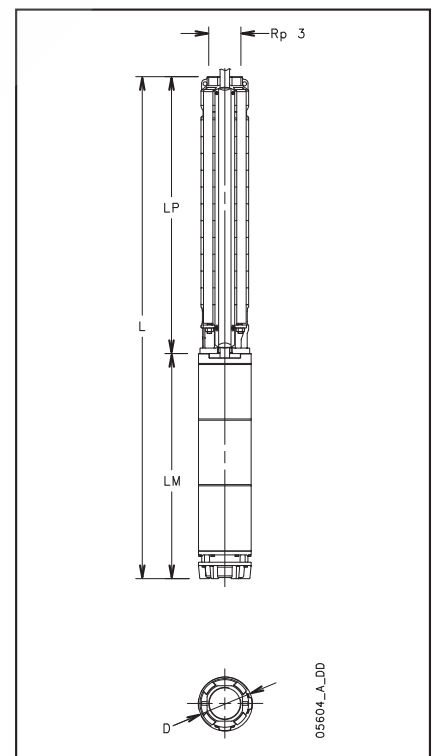


Z631 SERIES, 1 TO 15 STAGES

Dimensions and weights

ELECTRO PUMP TYPE	RATED POWER kW	DIMENSIONS (mm)					WEIGHT Kg
		L	LM	LP	ø D		
					1 Cable	2 Cables	
Z631 01-L4C	1,5	715	348	367	142	144	21
Z631 02-L4C	3	980	544	436	142	144	31
Z631 03-L4C	4	1119	614	505	142	144	35
Z631 04-L4C	5,5	1258	684	574	142	144	40
Z631 05-L4C	7,5	1407	764	643	142	144	44
Z631 06-L4C	7,5	1476	764	712	142	144	46
Z631 03-L6W	4	1088	583	505	144	146	50
Z631 04-L6W	5,5	1187	613	574	144	146	56
Z631 05-L6W	7,5	1296	653	643	144	146	61
Z631 06-L6W	7,5	1365	653	712	144	146	63
Z631 07-L6W	9,3	1464	683	781	144	146	67
Z631 08-L6W	11	1573	723	850	144	146	74
Z631 09-L6W	11	1642	723	919	144	146	75
Z631 10-L6W	13	1751	763	988	144	146	81
Z631 11-L6W	15	1890	833	1057	144	146	90
Z631 12-L6W	18,5	2029	903	1126	144	146	100
Z631 13-L6W	18,5	2098	903	1195	144	146	101
Z631 14-L6W	18,5	2167	903	1264	144	146	103
Z631 15-L6W	22	2276	943	1333	144	146	108

z631-1-50-en_a_td

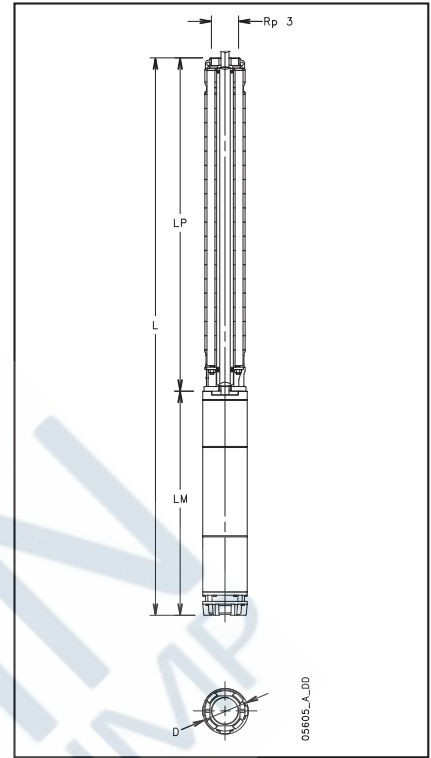


Z631 SERIES, 16 TO 29 STAGES

Dimensions and weights

ELECTRO PUMP TYPE	RATED POWER kW	DIMENSIONS (mm)					WEIGHT Kg
		L	LM	LP	ø D		
					1 Cable	2 Cables	
Z631 16-L6W	22	2345	943	1402	144	146	109
Z631 17-L6W	22	2414	943	1471	144	146	111
Z631 18-L6W	26	2611	1071	1540	144	146	121
Z631 19-L6W	26	2680	1071	1609	144	146	123
Z631 20-L6W	26	2749	1071	1678	144	146	124
Z631 21-L6W	30	2898	1151	1747	144	146	134
Z631 22-L6W	30	2967	1151	1816	144	146	136
Z631 23-L6W	30	3036	1151	1885	144	146	137
Z631 24-L6W	37	3255	1301	1954	144	146	153
Z631 25-L6W	37	3324	1301	2023	144	146	154
Z631 26-L6W	37	3393	1301	2092	144	146	156
Z631 27-L6W	37	3462	1301	2161	144	146	158
Z631 28-L6W	37	3531	1301	2230	144	146	159
Z631 29-L6W	37	3600	1301	2299	144	146	161

z631-2-50-en_a_td



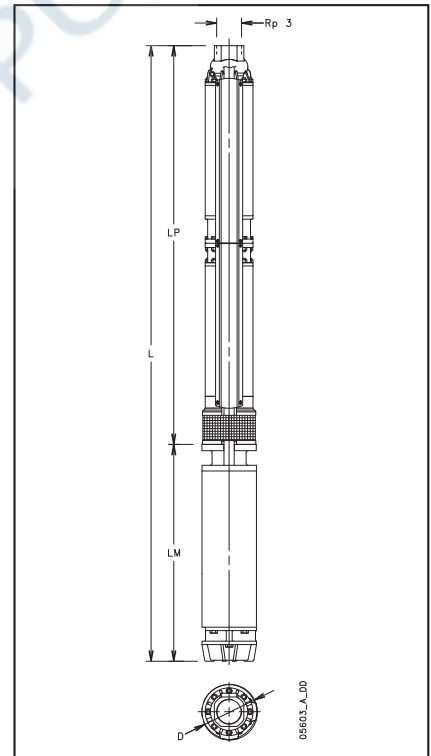
4

Z631 SERIES, 30 TO 43 STAGES

Dimensions and weights

ELECTRO PUMP TYPE	RATED POWER kW	DIMENSIONS (mm)					WEIGHT Kg
		L	LM	LP	ø D		
					1 Cable	2 Cables	
Z631 30D-L8W	45	4166	1195	2971	193	195	292
Z631 31D-L8W	45	4166	1195	2971	193	195	293
Z631 32D-L8W	45	4166	1195	2971	193	195	294
Z631 33D-L8W	45	4166	1195	2971	193	195	295
Z631 34D-L8W	45	4166	1195	2971	193	195	295
Z631 35D-L8W	45	4580	1195	3385	193	195	308
Z631 36D-L8W	52	4670	1285	3385	193	195	328
Z631 37D-L8W	52	4670	1285	3385	193	195	329
Z631 38D-L8W	52	4670	1285	3385	193	195	330
Z631 39D-L8W	52	4670	1285	3385	193	195	331
Z631 40D-L8W	52	4670	1285	3385	193	195	331
Z631 41D-L8W	52	4808	1285	3523	193	195	335
Z631 42D-L8W	55	4848	1325	3523	193	195	342
Z631 43D-L8W	55	4986	1325	3661	193	195	347

z631-3-50-en_a_td

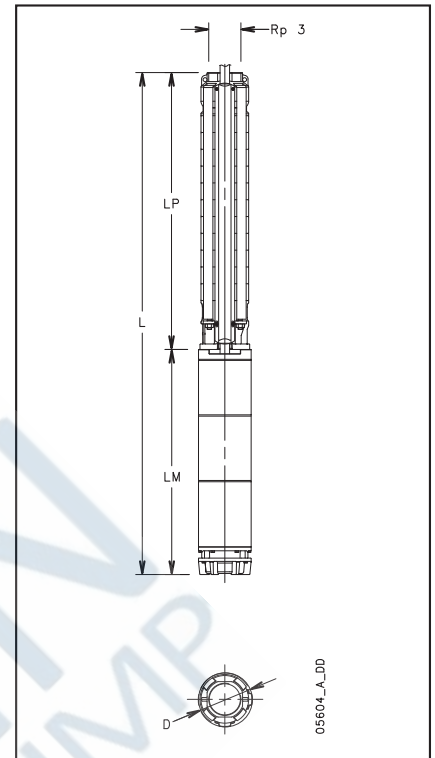


Z646 SERIES, 1 TO 12 STAGES

Dimensions and weights

ELECTRO PUMP TYPE	RATED POWER KW	DIMENSIONS (mm)					WEIGHT	
		L	LM	LP	ø D		Kg	
					1 Cable	2 Cables		
Z646 01-L4C	1,5	761	348	413	142	144	22	
Z646 02-L4C	3	1072	544	528	142	144	32	
Z646 03-L4C	5,5	1327	684	643	142	144	42	
Z646 04-L4C	7,5	1522	764	758	142	144	46	
Z646 05-L4C	7,5	1637	764	873	142	144	49	
Z646 03-L6W	5,5	1256	613	643	144	146	57	
Z646 04-L6W	7,5	1411	653	758	144	146	63	
Z646 05-L6W	7,5	1526	653	873	144	146	66	
Z646 06-L6W	9,3	1671	683	988	144	146	72	
Z646 07-L6W	11	1826	723	1103	144	146	79	
Z646 08-L6W	13	1981	763	1218	144	146	85	
Z646 09-L6W	13	2096	763	1333	144	146	88	
Z646 10-L6W	15	2281	833	1448	144	146	98	
Z646 11-L6W	18,5	2466	903	1563	144	146	109	
Z646 12-L6W	18,5	2581	903	1678	144	146	111	

z646-1-50-en_a_td

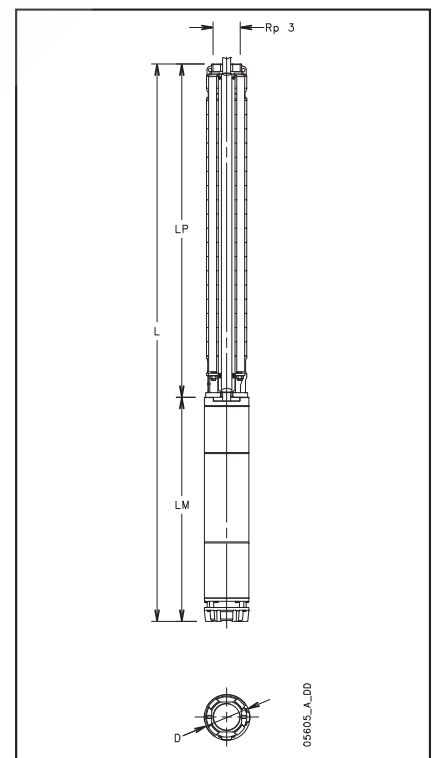


Z646 SERIES, 13 TO 25 STAGES

Dimensions and weights

ELECTRO PUMP TYPE	RATED POWER KW	DIMENSIONS (mm)					WEIGHT	
		L	LM	LP	ø D		Kg	
					1 Cable	2 Cables		
Z646 13-L6W	22	2736	943	1793	144	146	117	
Z646 14-L6W	22	2851	943	1908	144	146	119	
Z646 15-L6W	22	2966	943	2023	144	146	122	
Z646 16-L6W	26	3209	1071	2138	144	146	133	
Z646 17-L6W	26	3324	1071	2253	144	146	136	
Z646 18-L6W	30	3519	1151	2368	144	146	146	
Z646 19-L6W	30	3634	1151	2483	144	146	149	
Z646 20-L6W	30	3749	1151	2598	144	146	151	
Z646 21-L6W	37	4014	1301	2713	144	146	168	
Z646 22-L6W	37	4129	1301	2828	144	146	170	
Z646 23-L6W	37	4244	1301	2943	144	146	173	
Z646 24-L6W	37	4359	1301	3058	144	146	175	
Z646 25-L6W	37	4474	1301	3173	144	146	178	

z646-2-50-en_a_td

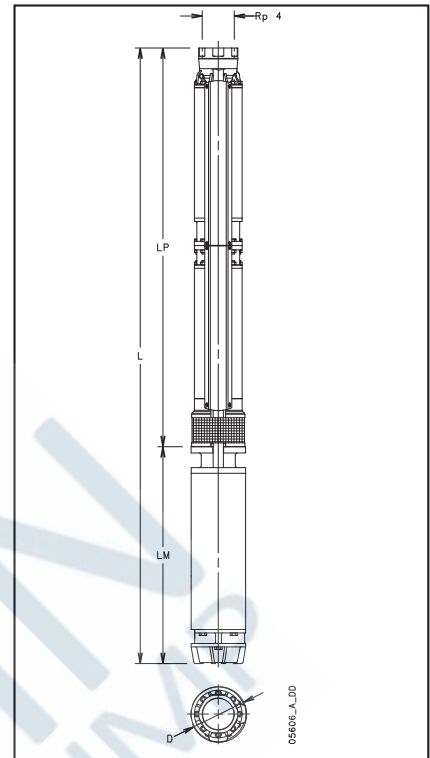


Z646 SERIES, 26 TO 37 STAGES

Dimensions and weights

ELECTRO PUMP TYPE	RATED POWER kW	DIMENSIONS (mm)					WEIGHT	
		L	LM	LP	ø D		Kg	
					1 Cable	2 Cables		
Z646 26D-L8W	45	4925	1195	3730	193	195	320	
Z646 27D-L8W	45	4925	1195	3730	193	195	322	
Z646 28D-L8W	45	5270	1195	4075	193	195	332	
Z646 29D-L8W	45	5270	1195	4075	193	195	333	
Z646 30D-L8W	45	5270	1195	4075	193	195	335	
Z646 31D-L8W	45	5385	1195	4190	193	195	337	
Z646 32D-L8W	52	5820	1285	4535	193	195	367	
Z646 33D-L8W	52	5820	1285	4535	193	195	368	
Z646 34D-L8W	52	5820	1285	4535	193	195	370	
Z646 35D-L8W	52	6280	1285	4995	193	195	383	
Z646 36D-L8W	52	6280	1285	4995	193	195	384	
Z646 37D-L8W	55	6320	1325	4995	193	195	392	

z646-3-50-en_a_td

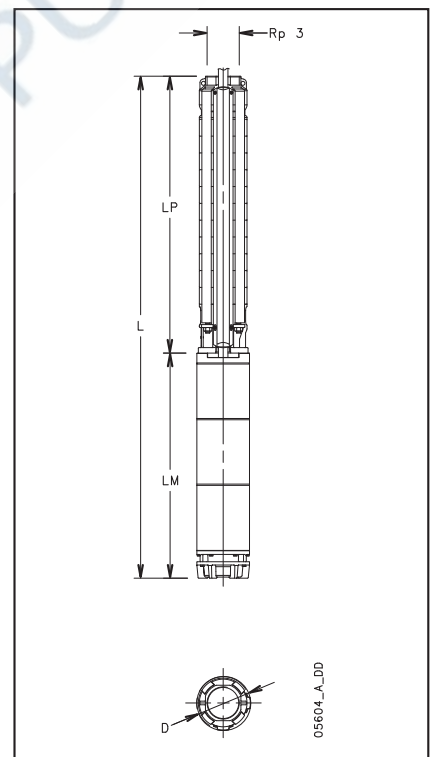


4 Z660 SERIES, 1 TO 10 STAGES

Dimensions and weights

ELECTRO PUMP TYPE	RATED POWER kW	DIMENSIONS (mm)					WEIGHT	
		L	LM	LP	ø D		Kg	
					1 Cable	2 Cables		
Z660 01-L4C	2,2	806	393	413	142	144	23	
Z660 02-L4C	4	1142	614	528	142	144	36	
Z660 03-L4C	5,5	1327	684	643	142	144	42	
Z660 04-L4C	7,5	1522	764	758	142	144	46	
Z660 02-L6W	4	1111	583	528	144	146	50	
Z660 03-L6W	5,5	1256	613	643	144	146	57	
Z660 04-L6W	7,5	1411	653	758	144	146	63	
Z660 05-L6W	9,3	1556	683	873	144	146	70	
Z660 06-L6W	11	1711	723	988	144	146	76	
Z660 07-L6W	13	1866	763	1103	144	146	83	
Z660 08-L6W	15	2051	833	1218	144	146	93	
Z660 09-L6W	18,5	2236	903	1333	144	146	104	
Z660 10-L6W	18,5	2351	903	1448	144	146	106	

z660-1-50-en_a_td



Z660 SERIES, 11 TO 21 STAGES

Dimensions and weights

ELECTRO PUMP TYPE	RATED POWER kW	DIMENSIONS (mm)					WEIGHT	
		L	LM	LP	∅ D		Kg	
					1 Cable	2 Cables		
Z660 11-L6W	22	2506	943	1563	144	146	112	
Z660 12-L6W	22	2621	943	1678	144	146	114	
Z660 13-L6W	22	2736	943	1793	144	146	117	
Z660 14-L6W	26	2979	1071	1908	144	146	128	
Z660 15-L6W	26	3094	1071	2023	144	146	131	
Z660 16-L6W	30	3289	1151	2138	144	146	141	
Z660 17-L6W	30	3404	1151	2253	144	146	144	
Z660 18-L6W	37	3669	1301	2368	144	146	160	
Z660 19-L6W	37	3784	1301	2483	144	146	163	
Z660 20-L6W	37	3899	1301	2598	144	146	165	
Z660 21-L6W	37	4014	1301	2713	144	146	168	

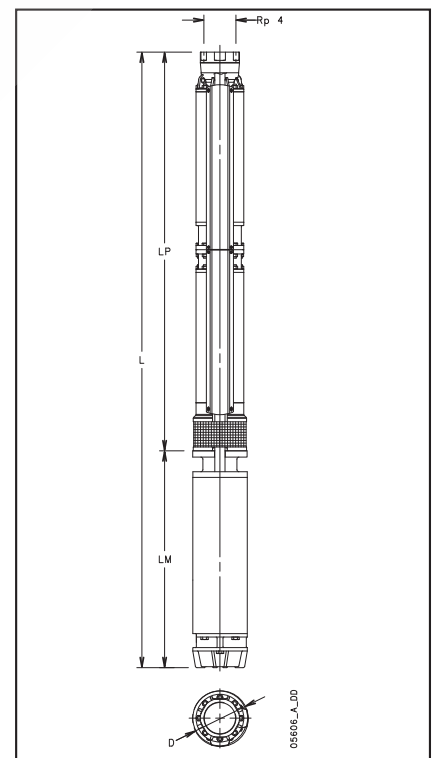
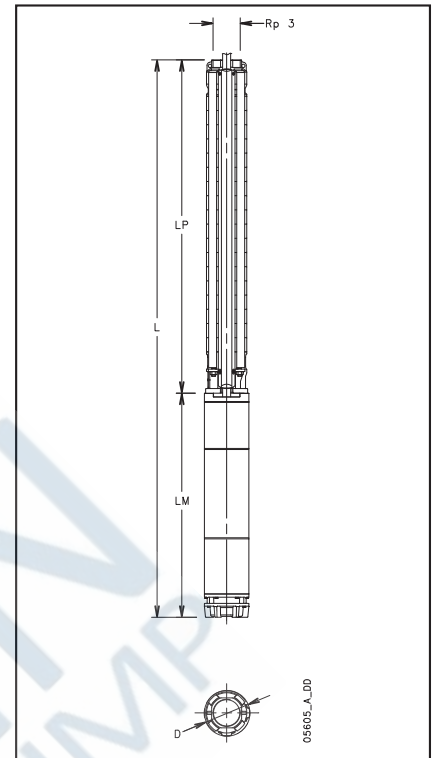
z660-2-50-en_a_td

Z660 SERIES, 22 TO 32 STAGES

Dimensions and weights

ELECTRO PUMP TYPE	RATED POWER kW	DIMENSIONS (mm)					WEIGHT	
		L	LM	LP	∅ D		Kg	
					1 Cable	2 Cables		
Z660 22D-L8W	45	4580	1195	3385	193	195	308	
Z660 23D-L8W	45	4580	1195	3385	193	195	309	
Z660 24D-L8W	45	4580	1195	3385	193	195	310	
Z660 25D-L8W	45	4925	1195	3730	193	195	319	
Z660 26D-L8W	45	4925	1195	3730	193	195	320	
Z660 27D-L8W	52	5015	1285	3730	193	195	342	
Z660 28D-L8W	52	5360	1285	4075	193	195	352	
Z660 29D-L8W	52	5360	1285	4075	193	195	353	
Z660 30D-L8W	52	5360	1285	4075	193	195	355	
Z660 31D-L8W	55	5515	1325	4190	193	195	363	
Z660 32D-L8W	55	5860	1325	4535	193	195	373	

z660-3-50-en_a_td



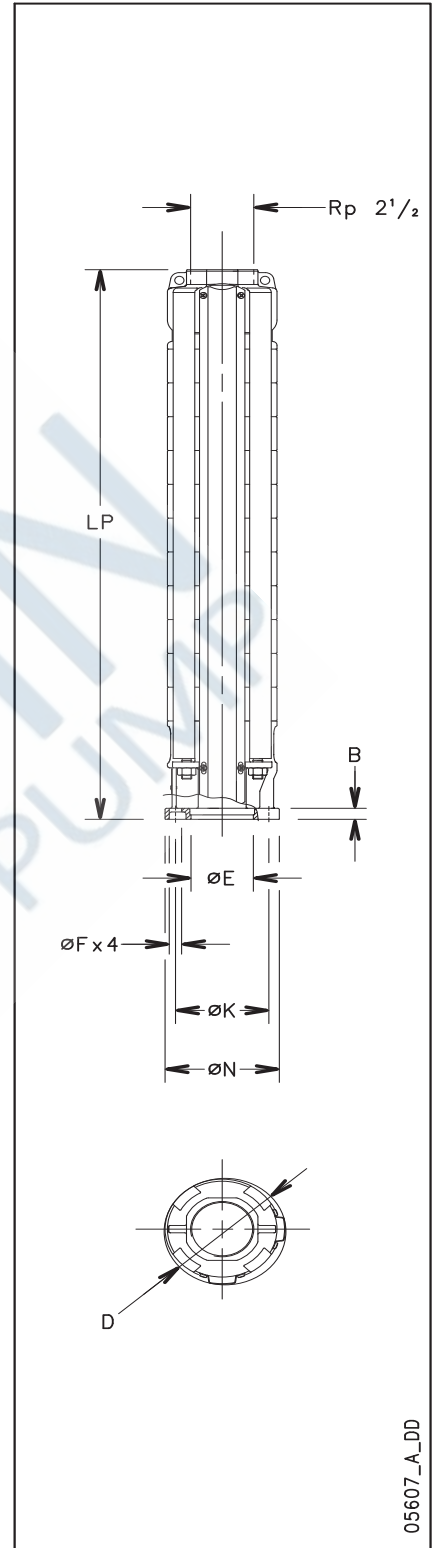
Z612 PUMP SERIES, 1 TO 39 STAGES

Dimensions and weights

4

PUMP TYPE	MAX PUMP POWER at 2900 rpm kW	DIMENSIONS (mm)			WEIGHT kg
		LP	∅ D		
			1 Cable	2 Cables	
Z612 01-4	0,5	380	142	144	9
Z612 02-4	1,0	426	142	144	10
Z612 03-4	1,4	472	142	144	12
Z612 04-4	1,9	518	142	144	13
Z612 05-4	2,4	564	142	144	14
Z612 06-4	2,9	610	142	144	15
Z612 07-4	3,4	656	142	144	16
Z612 08-4	3,9	702	142	144	17
Z612 09-4	4,4	748	142	144	19
Z612 10-4	4,8	794	142	144	20
Z612 11-4	5,3	840	142	144	21
Z612 12-4	5,8	886	142	144	22
Z612 13-4	6,3	932	142	144	23
Z612 14-4	6,7	978	142	144	24
Z612 15-4	7,2	1024	142	144	26
Z612 07-6	3,4	656	142	144	16
Z612 08-6	3,9	702	142	144	17
Z612 09-6	4,4	748	142	144	19
Z612 10-6	4,8	794	142	144	20
Z612 11-6	5,3	840	142	144	21
Z612 12-6	5,8	886	142	144	22
Z612 13-6	6,3	932	142	144	23
Z612 14-6	6,7	978	142	144	24
Z612 15-6	7,2	1024	142	144	26
Z612 16-6	7,7	1070	142	144	27
Z612 17-6	8,2	1116	142	144	28
Z612 18-6	8,7	1162	142	144	29
Z612 19-6	9,1	1208	142	144	30
Z612 20-6	9,6	1254	142	144	32
Z612 21-6	10,1	1300	142	144	33
Z612 22-6	10,6	1346	142	144	34
Z612 23-6	11,1	1438	142	144	36
Z612 24-6	11,5	1484	142	144	37
Z612 25-6	11,9	1530	142	144	38
Z612 26-6	12,4	1576	142	144	40
Z612 27-6	12,9	1622	142	144	41
Z612 28-6	13,4	1668	142	144	42
Z612 29-6	13,9	1714	142	144	43
Z612 30-6	14,3	1760	142	144	44
Z612 31-6	14,8	1806	142	144	46
Z612 32-6	15,3	1852	142	144	47
Z612 33-6	16,0	1898	142	144	48
Z612 34-6	16,3	1944	142	144	49
Z612 35-6	16,8	1990	142	144	50
Z612 36-6	17,3	2082	142	144	52
Z612 37-6	17,8	2128	142	144	54
Z612 38-6	18,2	2174	142	144	55
Z612 39-6	18,7	2220	142	144	56

z612p-2p50-en_b_td



05607_A_DD

Motor coupling

MOTOR	DIMENSIONS (mm)				
	N	K	F	B	E ^{H7}
4" (NEMA)	130	76,2	9,5	10,5	87,3
6" (NEMA)	136	111,1	14,5	15	76,2

Coupling 4" and 6" according to NEMA standards

z6-mtcn-2p50-en_a_td

Z612 PUMP SERIES, 40 TO 60 STAGES

Dimensions and weights

PUMP TYPE	MAX PUMP POWER at 2900 rpm kW	DIMENSIONS (mm)			WEIGHT kg
		LP	ø D		
			1 Cable	2 Cables	
Z612 40D-6	19,2	2922	177	180	114
Z612 41D-6	19,7	2922	177	180	115
Z612 42D-6	20,2	2922	177	180	116
Z612 43D-6	20,6	2922	177	180	116
Z612 44D-6	21,1	2922	177	180	117
Z612 45D-6	21,6	2922	177	180	117
Z612 46D-6	22,1	2922	177	180	118
Z612 47D-6	22,6	2922	177	180	118
Z612 48D-6	23,0	3336	177	180	131
Z612 49D-6	23,6	3336	177	180	132
Z612 50D-6	24,0	3336	177	180	132
Z612 51D-6	24,5	3336	177	180	133
Z612 52D-6	24,9	3336	177	180	133
Z612 53D-6	25,4	3336	177	180	134
Z612 54D-6	25,9	3336	177	180	135
Z612 55D-6	26,4	3336	177	180	135
Z612 56D-6	26,9	3336	177	180	136
Z612 57D-6	27,3	3474	177	180	140
Z612 58D-6	27,8	3474	177	180	140
Z612 59D-6	28,3	3474	177	180	141
Z612 60D-6	28,8	3612	177	180	145

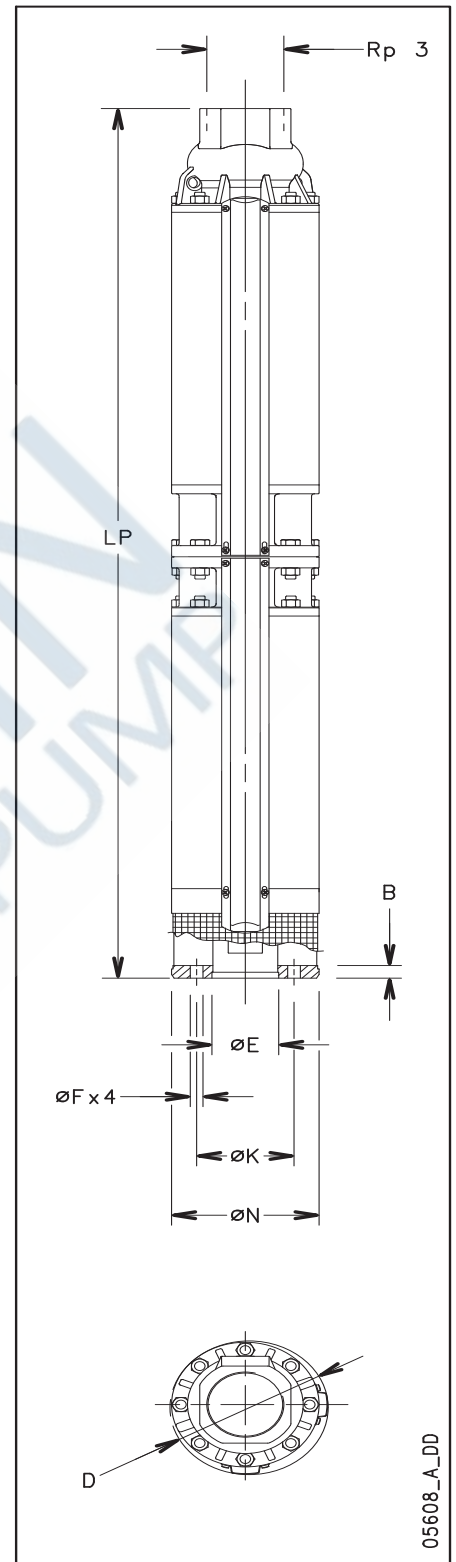
z612pl-2p50-en_b_td

Motor coupling

MOTOR	DIMENSIONS (mm)				
	N	K	F	B	E ^{H7}
6" (NEMA)	168	111,1	14,5	17	76,2

Coupling 6" according to NEMA standards

z6a-mtrn-2p50-en_a_td



05608_A_DD

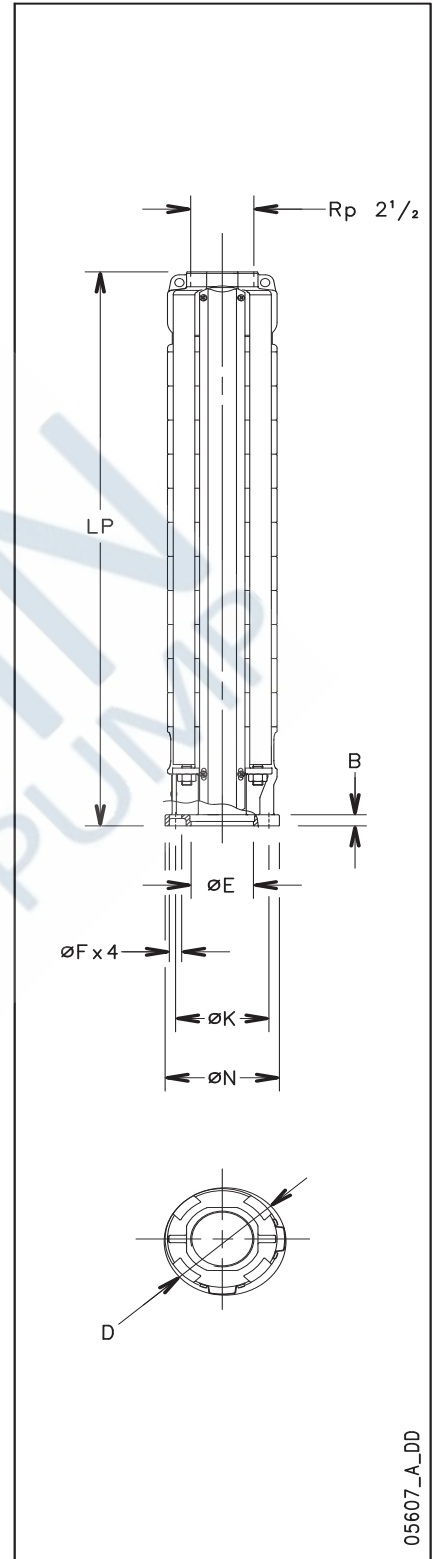
Z616 PUMP SERIES, 1 TO 36 STAGES

Dimensions and weights

4

PUMP TYPE	MAX PUMP POWER at 2900 rpm kW	DIMENSIONS (mm)			WEIGHT kg
		LP	∅ D		
			1 Cable	2 Cables	
Z616 01-4	0,8	380	142	144	9
Z616 02-4	1,7	426	142	144	10
Z616 03-4	2,5	472	142	144	12
Z616 04-4	3,0	518	142	144	13
Z616 05-4	3,8	564	142	144	14
Z616 06-4	4,5	610	142	144	15
Z616 07-4	5,2	656	142	144	16
Z616 08-4	5,9	702	142	144	17
Z616 09-4	6,6	748	142	144	19
Z616 10-4	7,3	794	142	144	20
Z616 05-6	3,8	564	142	144	14
Z616 06-6	4,5	610	142	144	15
Z616 07-6	5,2	656	142	144	16
Z616 08-6	5,9	702	142	144	17
Z616 09-6	6,6	748	142	144	19
Z616 10-6	7,3	794	142	144	20
Z616 11-6	8,1	840	142	144	21
Z616 12-6	8,6	886	142	144	22
Z616 13-6	9,3	932	142	144	23
Z616 14-6	10,0	978	142	144	24
Z616 15-6	10,8	1024	142	144	26
Z616 16-6	11,5	1070	142	144	27
Z616 17-6	12,3	1116	142	144	28
Z616 18-6	13,1	1162	142	144	29
Z616 19-6	13,8	1208	142	144	30
Z616 20-6	14,3	1254	142	144	32
Z616 21-6	15,0	1300	142	144	33
Z616 22-6	15,7	1346	142	144	34
Z616 23-6	16,4	1438	142	144	36
Z616 24-6	17,1	1484	142	144	37
Z616 25-6	17,9	1530	142	144	38
Z616 26-6	18,6	1576	142	144	40
Z616 27-6	19,3	1622	142	144	41
Z616 28-6	20,0	1668	142	144	42
Z616 29-6	20,7	1714	142	144	43
Z616 30-6	21,4	1760	142	144	44
Z616 31-6	22,1	1806	142	144	46
Z616 32-6	22,8	1852	142	144	47
Z616 33-6	23,5	1898	142	144	48
Z616 34-6	24,2	1944	142	144	49
Z616 35-6	25,0	1990	142	144	50
Z616 36-6	25,7	2082	142	144	52

z616p-2p50-en_a_td



Motor coupling

MOTOR	DIMENSIONS (mm)				
	N	K	F	B	E ^{H7}
4" (NEMA)	130	76,2	9,5	10,5	87,3
6" (NEMA)	136	111,1	14,5	15	76,2

Coupling 4" and 6" according to NEMA standards

z6-mtcn-2p50-en_a_td

05607_A_DD

Z616 PUMP SERIES, 37 TO 56 STAGES

Dimensions and weights

PUMP TYPE	MAX PUMP POWER at 2900 min kW	DIMENSIONS (mm)			WEIGHT kg
		LP	∅ D		
			1 Cable	2 Cables	
Z616 37D-6	26,4	2508	177	180	103
Z616 38D-6	27,1	2508	177	180	103
Z616 39D-6	27,8	2922	177	180	114
Z616 40D-6	28,5	2922	177	180	114
Z616 41D-6	29,3	2922	177	180	115
Z616 42D-6	30,0	2922	177	180	116
Z616 43D-6	30,6	2922	177	180	116
Z616 44D-6	31,4	2922	177	180	117
Z616 45D-6	32,1	2922	177	180	117
Z616 46D-6	32,8	2922	177	180	118
Z616 47D-6	33,5	2922	177	180	118
Z616 48D-6	34,3	3336	177	180	131
Z616 49D-6	35,0	3336	177	180	132
Z616 50D-6	35,7	3336	177	180	132
Z616 51D-6	36,4	3336	177	180	133
Z616 52D-6	37,2	3336	177	180	133
Z616 53D-8	37,8	3385	193	195	136
Z616 54D-8	38,6	3385	193	195	137
Z616 55D-8	39,3	3385	193	195	138
Z616 56D-8	40,0	3385	193	195	138

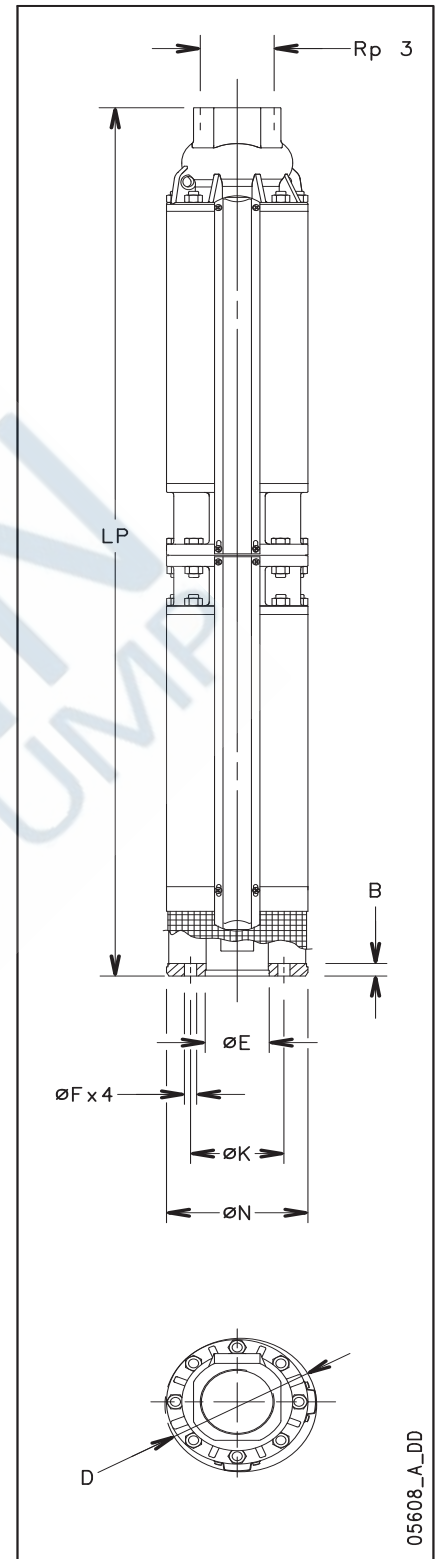
z616pl-2p50-en_a_td

Motor coupling

MOTOR	DIMENSIONS (mm)				
	N	K	F	B	E ^{H7}
6" (NEMA)	168	111,1	14,5	17	76,2
8" (NEMA)	188	152,4	17,5	18	127

Coupling 6" and 8" according to NEMA standards

z6b-mtcn-2p50-en_a_td



05608_A_DD

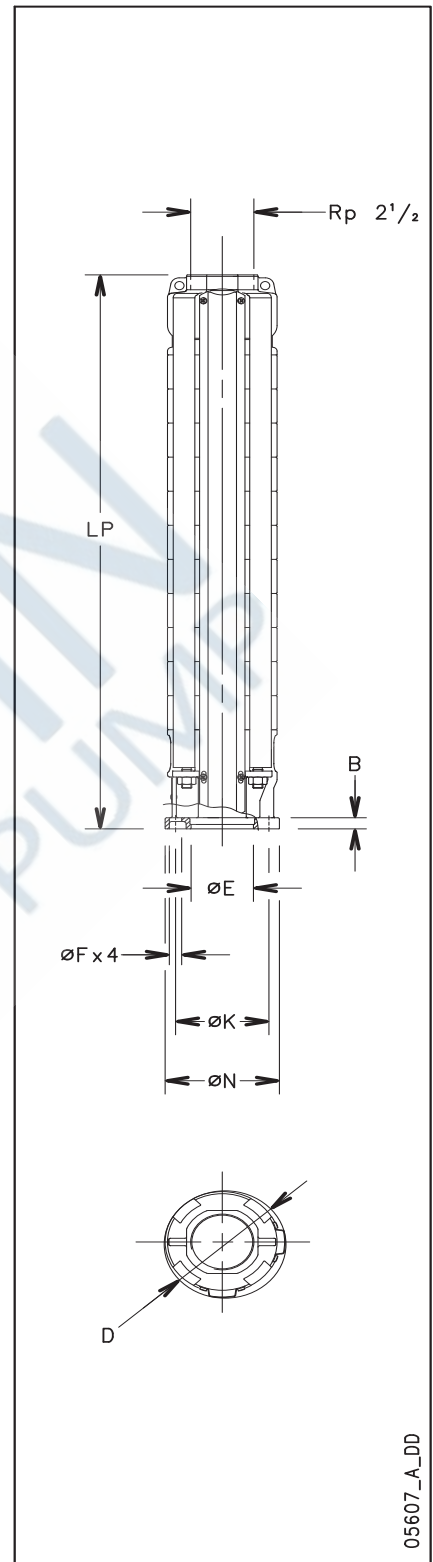
Z622 PUMP SERIES, 1 TO 33 STAGES

Dimensions and weights

4

PUMP TYPE	MAX PUMP POWER at 2900 rpm kW	DIMENSIONS (mm)			WEIGHT kg
		LP	ø D		
			1 Cable	2 Cables	
Z622 01-4	1,1	357	142	144	9
Z622 02-4	2,1	426	142	144	10
Z622 03-4	3,1	495	142	144	12
Z622 04-4	4,1	564	142	144	14
Z622 05-4	5,2	633	142	144	15
Z622 06-4	6,1	702	142	144	17
Z622 07-4	7,1	771	142	144	18
Z622 04-6	4,1	564	142	144	14
Z622 05-6	5,2	633	142	144	15
Z622 06-6	6,1	702	142	144	17
Z622 07-6	7,1	771	142	144	18
Z622 08-6	8,0	840	142	144	20
Z622 09-6	9,0	909	142	144	21
Z622 10-6	10,2	978	142	144	23
Z622 11-6	11,2	1047	142	144	24
Z622 12-6	12,3	1116	142	144	26
Z622 13-6	13,3	1185	142	144	27
Z622 14-6	14,2	1254	142	144	29
Z622 15-6	15,2	1323	142	144	31
Z622 16-6	16,3	1392	142	144	32
Z622 17-6	17,4	1461	142	144	34
Z622 18-6	18,4	1530	142	144	35
Z622 19-6	19,4	1599	142	144	37
Z622 20-6	20,4	1668	142	144	39
Z622 21-6	21,4	1737	142	144	40
Z622 22-6	22,4	1806	142	144	42
Z622 23-6	23,4	1875	142	144	43
Z622 24-6	24,5	1944	142	144	45
Z622 25-6	25,5	2013	142	144	47
Z622 26-6	26,5	2082	142	144	48
Z622 27-6	27,2	2151	142	144	50
Z622 28-6	28,2	2220	142	144	51
Z622 29-6	29,2	2289	142	144	53
Z622 30-6	30,2	2358	142	144	54
Z622 31-6	31,5	2427	142	144	56
Z622 32-6	32,5	2496	142	144	57
Z622 33-6	33,5	2565	142	144	59

z622p-2p50-en_a_td



Motor coupling

MOTOR	DIMENSIONS (mm)				
	N	K	F	B	E ^{H7}
4" (NEMA)	130	76,2	9,5	10,5	87,3
6" (NEMA)	136	111,1	14,5	15	76,2

Coupling 4" and 6" according to NEMA standards

z6-mtcn-2p50-en_a_td

05607_A_DD

Z622 PUMP SERIES, 34 TO 50 STAGES

Dimensions and weights

PUMP TYPE	MAX PUMP POWER at 2900 rpm kW	DIMENSIONS (mm)			WEIGHT kg
		LP	∅ D		
			1 Cable	2 Cables	
Z622 34D-6	34,5	2922	177	180	113
Z622 35D-6	35,6	3336	177	180	125
Z622 36D-6	36,6	3336	177	180	126
Z622 37D-6	37,6	3336	177	180	127
Z622 38D-8	38,6	3385	193	195	130
Z622 39D-8	39,6	3385	193	195	131
Z622 40D-8	40,6	3385	193	195	131
Z622 41D-8	41,7	3523	193	195	135
Z622 42D-8	42,7	3523	193	195	136
Z622 43D-8	43,7	3661	193	195	141
Z622 44D-8	44,7	3661	193	195	141
Z622 45D-8	45,7	3868	193	195	147
Z622 46D-8	46,7	3868	193	195	148
Z622 47D-8	47,8	3868	193	195	148
Z622 48D-8	48,8	4075	193	195	155
Z622 49D-8	49,8	4075	193	195	156
Z622 50D-8	50,8	4075	193	195	157

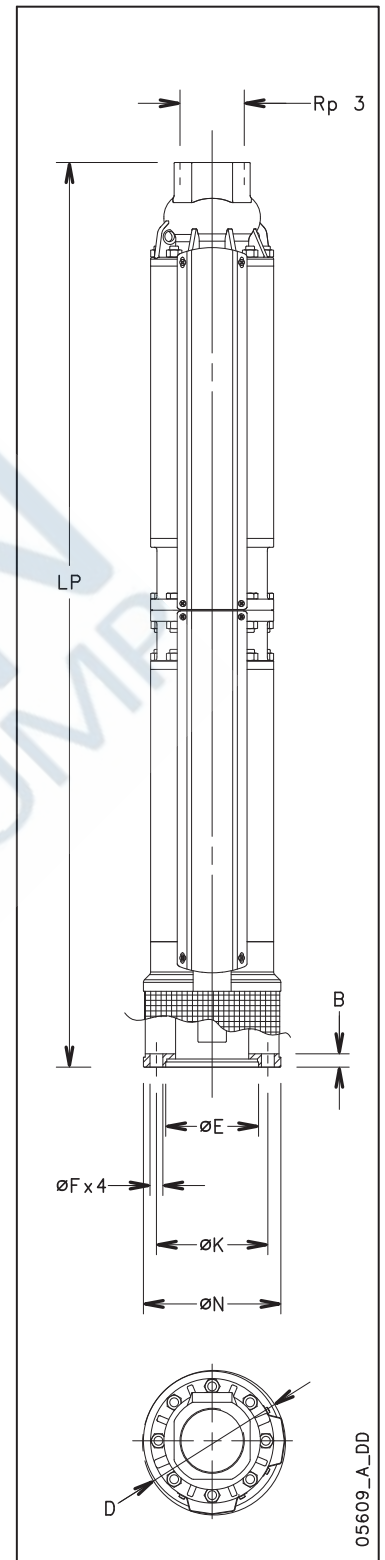
z622-pl-2p50-en_a_td

Motor coupling

MOTOR	DIMENSIONS (mm)				
	N	K	F	B	E ^{H7}
6" (NEMA)	168	111,1	14,5	17	76,2
8" (NEMA)	188	152,4	17,5	18	127

Coupling 6" and 8" according to NEMA standards

z6b-mtcn-2p50-en_a_td



05609_A_DD

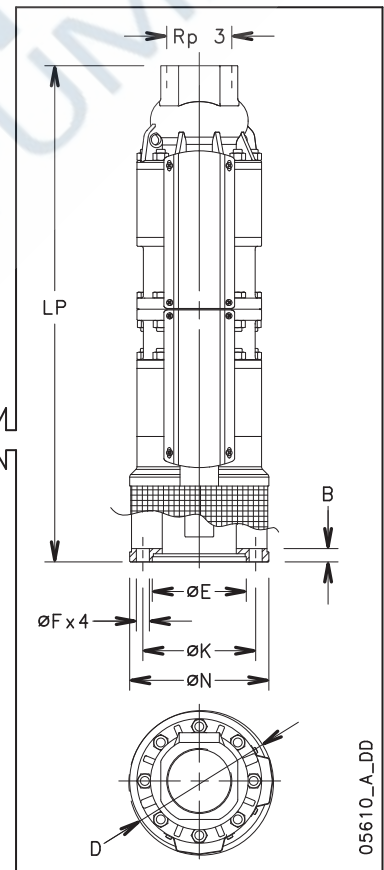
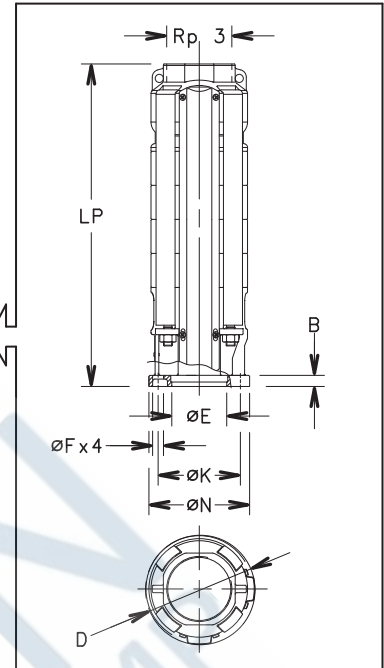
Z631 PUMP SERIES

Dimensions and weights

4

PUMP TYPE	MAX PUMP POWER at 2900 rpm kW	DIMENSIONS (mm)			WEIGHT kg
		LP	ø D		
			1 Cable	2 Cables	
Z631 01-4	1,3	367	142	144	9
Z631 02-4	2,6	436	142	144	10
Z631 03-4	3,9	505	142	144	12
Z631 04-4	5,2	574	142	144	14
Z631 05-4	6,6	643	142	144	15
Z631 06-4	7,8	712	142	144	17
Z631 03-6	3,9	505	142	144	12
Z631 04-6	5,2	574	142	144	14
Z631 05-6	6,6	643	142	144	15
Z631 06-6	7,8	712	142	144	17
Z631 07-6	9,2	781	142	144	18
Z631 08-6	10,5	850	142	144	20
Z631 09-6	11,7	919	142	144	21
Z631 10-6	13,0	988	142	144	23
Z631 11-6	14,3	1057	142	144	24
Z631 12-6	15,7	1126	142	144	26
Z631 13-6	17,0	1195	142	144	27
Z631 14-6	18,3	1264	142	144	29
Z631 15-6	19,6	1333	142	144	31
Z631 16-6	20,9	1402	142	144	32
Z631 17-6	22,0	1471	142	144	34
Z631 18-6	23,2	1540	142	144	35
Z631 19-6	24,5	1609	142	144	37
Z631 20-6	25,8	1678	142	144	38
Z631 21-6	27,1	1747	142	144	40
Z631 22-6	28,4	1816	142	144	42
Z631 23-6	30,1	1885	142	144	43
Z631 24-6	31,6	1954	142	144	45
Z631 25-6	32,7	2023	142	144	46
Z631 26-6	34,0	2092	142	144	48
Z631 27-6	35,3	2161	142	144	50
Z631 28-6	36,7	2230	142	144	51
Z631 29-6	38,0	2299	142	144	53
Z631 30D-8	39,3	2971	193	195	112
Z631 31D-8	40,6	2971	193	195	113
Z631 32D-8	41,9	2971	193	195	114
Z631 33D-8	43,2	2971	193	195	115
Z631 34D-8	44,5	2971	193	195	115
Z631 35D-8	45,8	3385	193	195	128
Z631 36D-8	47,1	3385	193	195	128
Z631 37D-8	48,4	3385	193	195	129
Z631 38D-8	49,7	3385	193	195	130
Z631 39D-8	51,1	3385	193	195	131
Z631 40D-8	52,4	3385	193	195	131
Z631 41D-8	53,7	3523	193	195	135
Z631 42D-8	55,0	3523	193	195	136
Z631 43D-8	56,3	3661	193	195	141

z631p-2p50-en_a_td



05610_A_DD

Motor coupling

MOTOR	DIMENSIONS (mm)				
	N	K	F	B	E ^{H7}
4" (NEMA)	130	76,2	9,5	10,5	87,3
6" (NEMA)	136	111,1	14,5	15	76,2
8" (NEMA)	188	152,4	17,5	18	127

Coupling 4" - 6" and 8" according to NEMA standards

z6c-mtcn-2p50-en_a_td

Z646 PUMP SERIES

Dimensions and weights

PUMP TYPE	MAX PUMP POWER at 2900 rpm kW	DIMENSIONS (mm)			WEIGHT kg
		LP	∅ D		
			1 Cable	2 Cables	
Z646 01-4	1,5	413	142	144	10
Z646 02-4	3,0	528	142	144	12
Z646 03-4	4,5	643	142	144	15
Z646 04-4	6,0	758	142	144	17
Z646 05-4	7,5	873	142	144	20
Z646 03-6	4,5	643	142	144	15
Z646 04-6	6,0	758	142	144	17
Z646 05-6	7,5	873	142	144	20
Z646 06-6	9,0	988	142	144	22
Z646 07-6	10,5	1103	142	144	25
Z646 08-6	12,0	1218	142	144	27
Z646 09-6	13,5	1333	142	144	30
Z646 10-6	15,0	1448	142	144	32
Z646 11-6	16,5	1563	142	144	35
Z646 12-6	18,0	1678	142	144	37
Z646 13-6	19,5	1793	142	144	40
Z646 14-6	21,0	1908	142	144	42
Z646 15-6	22,5	2023	142	144	45
Z646 16-6	24,1	2138	142	144	47
Z646 17-6	25,6	2253	142	144	50
Z646 18-6	27,1	2368	142	144	52
Z646 19-6	28,6	2483	142	144	55
Z646 20-6	30,1	2598	142	144	57
Z646 21-6	31,6	2713	142	144	60
Z646 22-6	33,1	2828	142	144	62
Z646 23-6	34,6	2943	142	144	65
Z646 24-6	36,1	3058	142	144	67
Z646 25-6	37,6	3173	142	144	70
Z646 26D-8	39,1	3730	193	195	140
Z646 27D-8	40,6	3730	193	195	142
Z646 28D-8	42,1	4075	193	195	152
Z646 29D-8	43,6	4075	193	195	153
Z646 30D-8	45,1	4075	193	195	155
Z646 31D-8	46,6	4190	193	195	157
Z646 32D-8	48,1	4535	193	195	167
Z646 33D-8	49,6	4535	193	195	168
Z646 34D-8	51,1	4535	193	195	170
Z646 35D-8	52,6	4995	193	195	183
Z646 36D-8	54,1	4995	193	195	184
Z646 37D-8	55,6	4995	193	195	186

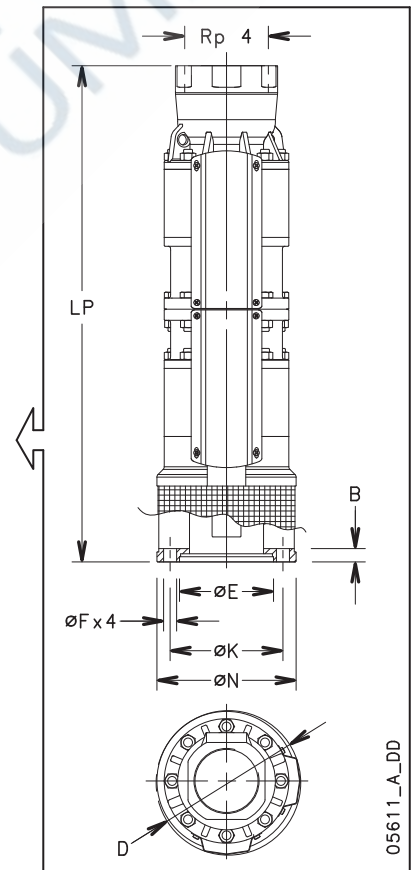
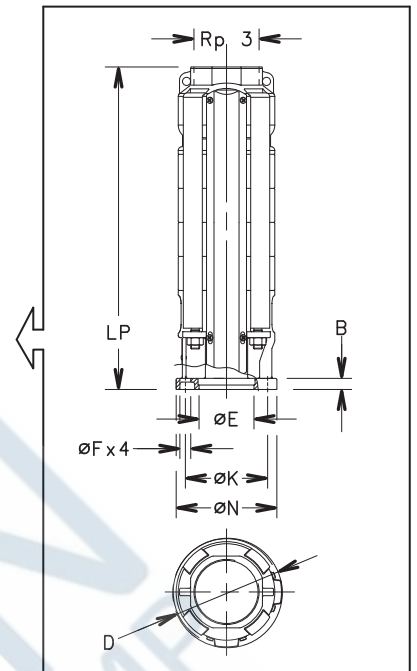
z646p-2p50-en_a_td

Motor coupling

MOTOR	DIMENSIONS (mm)				
	N	K	F	B	E ^{H7}
4" (NEMA)	130	76,2	9,5	10,5	87,3
6" (NEMA)	136	111,1	14,5	15	76,2
8" (NEMA)	188	152,4	17,5	18	127

Coupling 4" - 6" and 8" according to NEMA standards

z6c-mtcn-2p50-en_a_td



05611_A_DD

Z631 PUMP SERIES

Dimensions and weights

4

PUMP TYPE	MAX PUMP POWER at 2900 min ⁻¹ kW	DIMENSIONS (mm)			WEIGHT kg
		LP	ø D		
			1 Cable	2 Cables	
Z660 01-4	1,8	413	142	144	10
Z660 02-4	3,5	528	142	144	12
Z660 03-4	5,3	643	142	144	15
Z660 04-4	7,1	758	142	144	17
Z660 02-6	3,5	528	142	144	12
Z660 03-6	5,3	643	142	144	15
Z660 04-6	7,1	758	142	144	17
Z660 05-6	8,8	873	142	144	20
Z660 06-6	10,6	988	142	144	22
Z660 07-6	12,4	1103	142	144	25
Z660 08-6	14,2	1218	142	144	27
Z660 09-6	15,9	1333	142	144	30
Z660 10-6	17,7	1448	142	144	32
Z660 11-6	19,5	1563	142	144	35
Z660 12-6	21,2	1678	142	144	37
Z660 13-6	23,0	1793	142	144	40
Z660 14-6	24,8	1908	142	144	42
Z660 15-6	26,5	2023	142	144	45
Z660 16-6	28,3	2138	142	144	47
Z660 17-6	30,1	2253	142	144	50
Z660 18-6	31,8	2368	142	144	52
Z660 19-6	33,6	2483	142	144	55
Z660 20-6	35,4	2598	142	144	57
Z660 21-6	37,1	2713	142	144	60
Z660 22D-8	38,9	3385	193	195	128
Z660 23D-8	40,7	3385	193	195	129
Z660 24D-8	42,4	3385	193	195	130
Z660 25D-8	44,2	3730	193	195	139
Z660 26D-8	46,0	3730	193	195	140
Z660 27D-8	47,8	3730	193	195	142
Z660 28D-8	49,5	4075	193	195	152
Z660 29D-8	51,3	4075	193	195	153
Z660 30D-8	53,1	4075	193	195	155
Z660 31D-8	54,8	4190	193	195	157
Z660 32D-8	56,6	4535	193	195	167

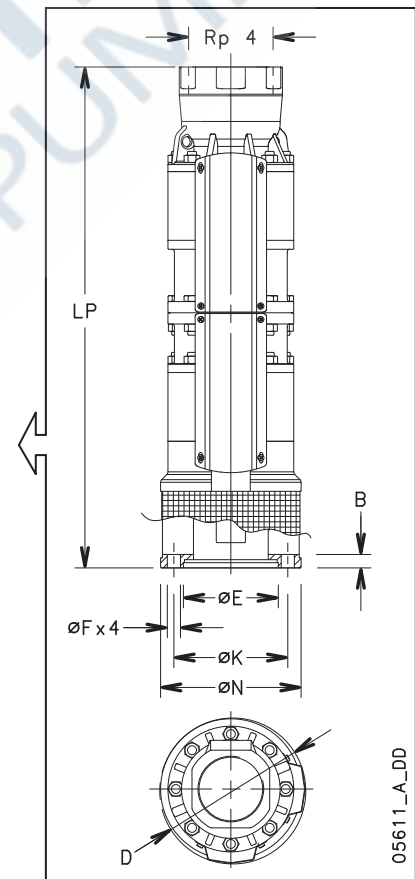
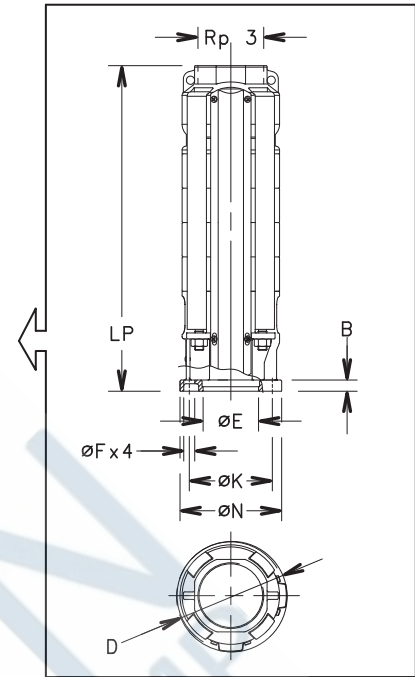
z660p-2p50-en_a_td

Motor coupling

MOTOR	DIMENSIONS (mm)				
	N	K	F	B	E ^{H7}
4" (NEMA)	130	76,2	9,5	10,5	87,3
6" (NEMA)	136	111,1	14,5	15	76,2
8" (NEMA)	188	152,4	17,5	18	127

Coupling 4" - 6" and 8" according to NEMA standards

z6c-mtcn-2p50-en_a_td



05611_A_DD