



Products Catalogue 2013



Pumps

www.leogroup.cn

浙江利欧股份有限公司
ZHEJIANG LEO CO.,LTD.

LEO 浙江利欧股份有限公司
ZHEJIANG LEO CO.,LTD. (Stock code: 002131)

Center Avenue, Industrial Park-Wenling, Zhejiang, China, 317500
Tel: +86-576-8998 6360 Fax: +86-576-8998 9898 E-mail: export@leogroup.cn www.leogroup.cn

CONTENTS



● PERIPHERAL PUMPS P01–P04



● JET PUMPS P05–P10



● CENTRIFUGAL PUMPS P11–P24



● STAINLESS STEEL SINGLE-STAGE CENTRIFUGAL PUMPS P25–P28



● GASOLINE WATER PUMPS P29–P30



● DOMESTIC LIFTING STATIONS P31–P32



● POOL PUMPS P33–P36



● GARDEN SUBMERSIBLE PUMPS P37–P58

CONTENTS



● GARDEN JET PUMPS P59–P68



● SUBMERSIBLE PUMPS P69–P106



● SUBMERSIBLE BOREHOLE PUMPS P107–P133



● STANDARD CENTRIFUGAL PUMPS P134–P158



● HORIZONTAL MULTISTAGE STAINLESS STEEL PUMPS P159–P162



● VERTICAL MULTISTAGE CENTRIFUGAL PUMPS P163–P196



● CIRCULATION PUMPS P197–P201



● ACCESSORIES P202–P205

APm

Peripheral Pumps

Application

- It can be used to transfer clean water or other liquids similar to water in physical and chemical properties. It is suitable for small living water supply, automatic water sprinkler system, small air conditioner system or supporting equipment etc.

Pump

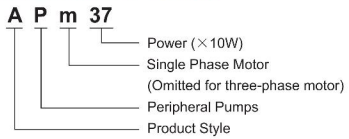
- Cast iron pump body and support under special anti-rust treatment
- Rust-free copper inserts prevent impeller's block when starting after the pump is unused for a long time
- Brass impeller with evenly arranged radial vanes
- AISI 304 shaft
- Max. liquid temperature: +60°C
- Max. suction: +8 m

Motor

- C&U bearing
- Motor with copper winding
- Built-in thermal protector for single phase motor
- Insulation class: F
- Protection class: IPX4
- Max. ambient temperature: +40°C



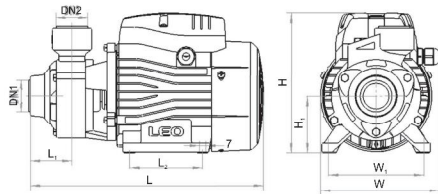
Identification Codes



Technical Data

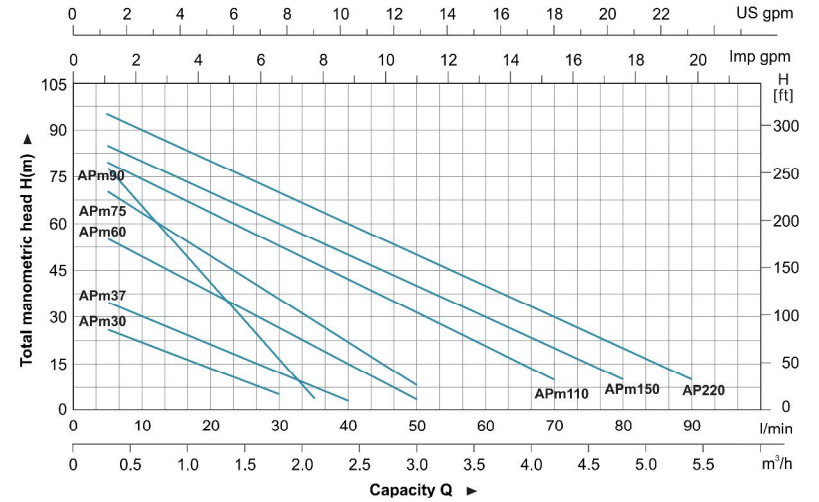
MODEL		POWER		Q (m³/h)																
Single Phase	Three Phase	kW	HP	Q (l/min)																
APm30	AP30	0.3	0.4	0	0.3	0.6	0.9	1.2	1.5	1.8	2.1	2.4	3.0	3.6	4.2	4.8	5.4	H (m)		
APm37	AP37	0.37	0.5	0	5	10	15	20	25	30	35	40	50	60	70	80	90			
APm60	AP60	0.6	0.8	30	26	20	15	12	8	5	2									
APm75	AP75	0.75	1.0	40	35	30	25	20	15	10	5	2								
APm90	AP90	0.75	1.0	60	55	50	40	35	30	25	20	10	5							
APm110	AP110	1.1	1.5	75	70	60	50	45	35	28	22	15	5							
APm150	AP150	1.5	2.0	90	75	60	50	35	25	15	5									
—	AP220	2.2	3.0	85	80	75	65	60	55	50	45	40	30	18	10					
				90	86	80	75	70	65	60	55	50	40	30	20	10				
				100	96	90	85	80	75	70	65	60	50	40	30	20	10			

Dimension



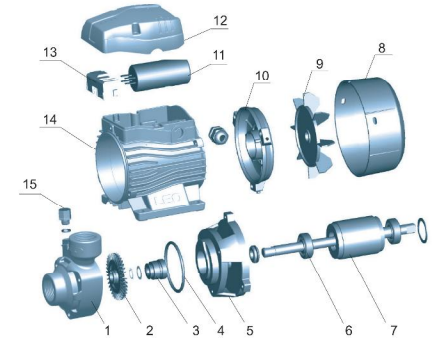
MODEL	DN1	DN2	L (mm)	W (mm)	H (mm)	L ₁ (mm)	L ₂ (mm)	W ₁ (mm)	H ₁ (mm)
APm30			260	132	155	46.5	80	100	63
APm37			260	132	155	46.5	80	100	63
APm60	1"	1"	282	147	183	51	90	112	71
APm75			300	147	183	54.5	90	112	71
APm90	3/4"	3/4"	289	147	183	50	90	112	71
APm110			336	165	210	56	100	125	86
APm150	1"	1"	338	165	210	56	100	125	86
AP220			338	165	210	56	100	125	86

Hydraulic Performance Curve



Materials Table

No.	Part	Material
1	Pump body	H1200
2	Impeller	ZCuZn38
3	Mechanical seal	Carbon/ceramic
4	O-ring	NBR
5	Support	HT200
6	Bearing	
7	Rotor	
8	Fan cover	PP
9	Fan	PP
10	End plate	ZL102
11	Capacitor	
12	Capacitor box	ABS
13	Terminal board	PC
14	Stator	
15	Filling plug	HPb59-1



Package Information

Model	GW (Kgs)	L (mm)	W (mm)	H (mm)	Quantity (PCS/20 TEU)
APm30	5.1	283	158	174	3132
APm37	5.5	283	158	174	3132
APm60	9.0	330	190	210	2365
APm75	10.5	345	190	210	2222
APm90	10.5	345	190	210	2222
APm110	15.9	360	210	250	1230
APm150	16.5	360	210	250	1230
AP220	17.2	360	210	250	1230

APSm

Self-priming Peripheral Pumps

Application

- It can be used to transfer clean water or other liquids similar to water in physical and chemical properties. It is suitable for small living water supply, automatic water sprinkler system, small air conditioner system or supporting equipment etc.

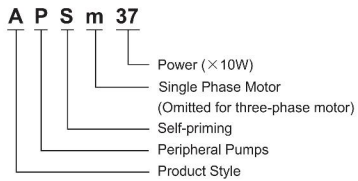
Pump

- Cast iron pump body and support under special anti-rust treatment
- Rust-free copper inserts prevent impeller's block when starting after the pump is unused for a long time
- Brass impeller with evenly arranged radial vanes
- AISI 304 shaft
- Max. liquid temperature: +60°C
- Max. suction: +9 m
- Self-priming

Motor

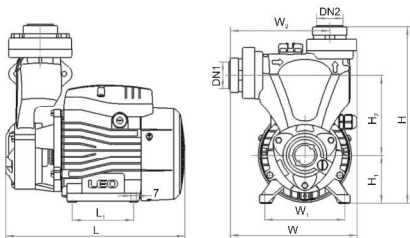
- C&U bearing
- Motor with copper winding
- Built-in thermal protector for single phase motor
- Insulation class: F
- Protection class: IPX4
- Max. ambient temperature: +40°C

Identification Codes



Technical Data

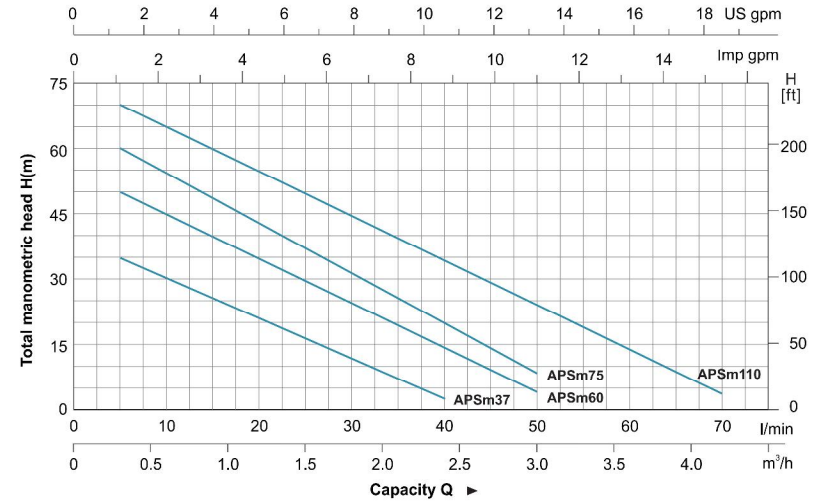
MODEL		POWER		Q (m³/h)		Q (l/min)																																																																																																																																																																																																											
Single Phase	Three Phase	kW	HP	0	5	10	15	20	25	30	35	40	50	55	60	70	H (m)																																																																																																																																																																																																
APSm37	APS37	0.37	0.5	40	35	28	22	18	12	5	3						40	45	50	55	60	65	70	75	80	85	90	95	100	105	110	115	120	125	130	135	140	145	150	155	160	165	170	175	180	185	190	195	200	205	210	215	220	225	230	235	240	245	250	255	260	265	270	275	280	285	290	295	300	305	310	315	320	325	330	335	340	345	350	355	360	365	370	375	380	385	390	395	400	405	410	415	420	425	430	435	440	445	450	455	460	465	470	475	480	485	490	495	500	505	510	515	520	525	530	535	540	545	550	555	560	565	570	575	580	585	590	595	600	605	610	615	620	625	630	635	640	645	650	655	660	665	670	675	680	685	690	695	700	705	710	715	720	725	730	735	740	745	750	755	760	765	770	775	780	785	790	795	800	805	810	815	820	825	830	835	840	845	850	855	860	865	870	875	880	885	890	895	900	905	910	915	920	925	930	935	940	945	950	955	960	965	970	975	980	985	990	995	1000



Dimension

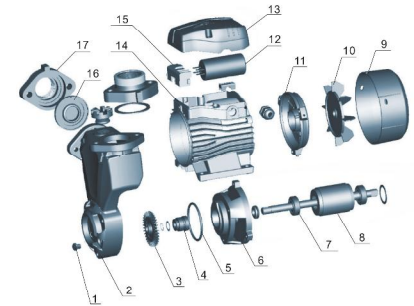
Model	DN1	DN2	L (mm)	W (mm)	H (mm)	L ₁ (mm)	W ₁ (mm)	W ₂ (mm)	H ₁ (mm)	H ₂ (mm)
APSm37	1"	1"	239	170	235	80	100	134	63	106
APSm60	1"	1"	260	180	257	90	112	138	71	120
APSm75	1"	1"	270	180	265	90	112	148	71	130
APSm110	1"	1"	310	200	290	100	125	155	86	138

Hydraulic Performance Curve



Materials Table

No.	Part	Material
1	Screw	Steel
2	Pump body	HT200
3	Impeller	ZCuZn38
4	Mechanical seal	Carbon/ceramic
5	O-ring	NBR
6	Support	HT200
7	Bearing	
8	Rotor	
9	Fan cover	PP
10	Fan	PP
11	End plate	ZL102
12	Capacitor	
13	Capacitor box	ABS
14	Stator	
15	Terminal board	PC
16	Non-return valve	NBR
17	Connector	PA6



Package Information

Model	GW (Kgs)	L (mm)	W (mm)	H (mm)	Quantity (PCS/20 TEU)
APSm37	7.2	265	190	265	2040
APSm60	10.8	290	205	285	1736
APSm75	12.3	305	214	290	1365
APSm110	17.5	345	232	320	998

Application

- It can be used to transfer clean water or other liquids similar to water in physical and chemical properties. It is suitable for lifting water from the well, sprinkling irrigation in garden, pressure boosting of running water, and supporting equipment etc.

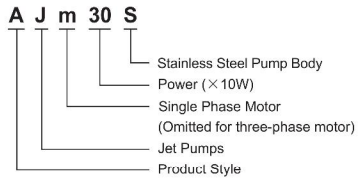
Pump

- Stainless steel pump body
- Support under special anti-rust treatment
- Stainless steel impeller
- AISI 304 shaft
- Max. liquid temperature: +40°C
- Max. suction: +9 m

Motor

- C&U bearing
- Motor with copper winding
- Built-in thermal protector for single phase motor
- Insulation class: F
- Protection class: IPX4
- Max. ambient temperature: +40°C

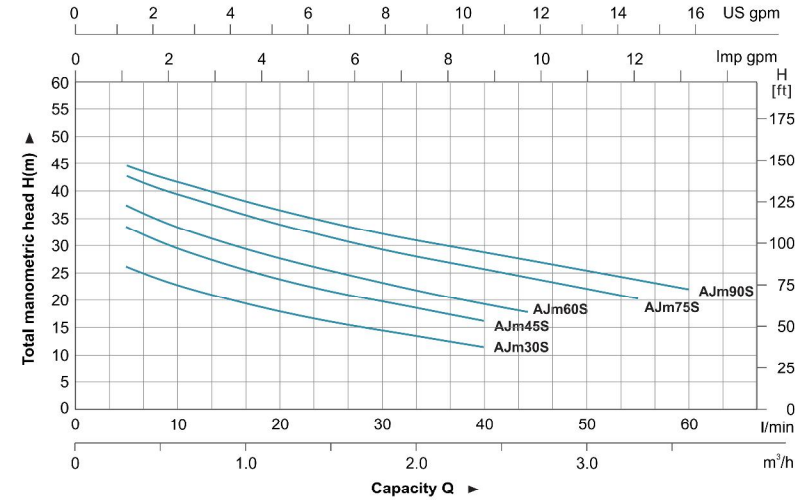
Identification Codes



Technical Data

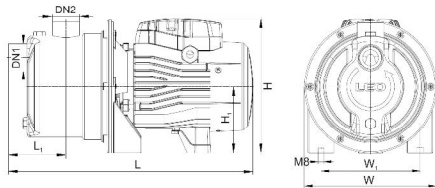
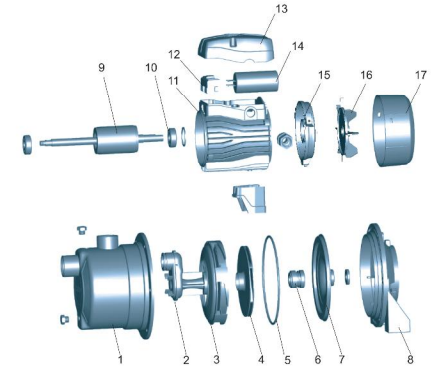
MODEL		POWER		Q (m³/h)												
Single Phase	Three Phase	kW	HP	0	0.6	0.9	1.2	1.5	1.8	2.1	2.4	2.8	3.0	3.3	3.6	
AJm30S	AJ30S	0.3	0.4	0	5	10	15	20	25	30	35	40	47	50	55	60
AJm45S	AJ45S	0.45	0.6	30	26	23	20	18	16.5	15	13	11				
AJm60S	AJ60S	0.6	0.8	38	35	31	27	25	22	20	19	16				
AJm75S	AJ75S	0.75	1.0	43	37	33	30	27	25	23	21	20	18			
AJm90S	AJ90S	0.9	1.2	46	40	38	36	34	32	30	28	27	25	23	20	
				48	44	42	39	37	35	34	31	31	29	28	26	22

Hydraulic Performance Curve



Materials Table

No.	Part	Material
1	Pump body	AISI 304
2	venturi tube	PPC
3	Diffuser	PPC
4	Impeller	AISI 304
5	O-ring	NBR
6	Mechanical seal	Carbon/veramic
7	Bracket cover	AISI 304
8	Support	ZL102
9	Rotor	
10	Bearing	
11	Stator	
12	Terminal board	PC
13	Саркитна плоча	ABS
14	Саркитор	
15	End plate	ZL102
16	Fan	PP
17	Fan cover	PP



Dimension

Model	DN1	DN2	L (mm)	W (mm)	H (mm)	L ₁ (mm)	W ₁ (mm)	H ₁ (mm)
AJm30S			337	180	181.5	78	140	181.5
AJm45S			337	180	181.5	78	140	181.5
AJm60S	1"	1"	376	200	214	88.5	140	214
AJm75S			376	200	214	88.5	140	214
AJm90S			376	200	214	88.5	140	214

Package Information

Model	GW (Kgs)	L (mm)	W (mm)	H (mm)	Quantity (PCS/20 TEU)
AJm30S	6.0	350	180	220	1920
AJm45S	6.9				
AJm60S	9.2	420	228	257	1056
AJm75S	10.1				
AJm90S	10.7				

AJm

Self-priming Jet Pumps

Application

- It can be used to transfer clean water or other liquids similar to water in physical and chemical properties. It is suitable for lifting water from the well, sprinkling irrigation in garden, pressure boosting of running water, and supporting equipment etc.

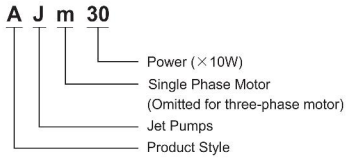
Pump

- Cast iron pump body and support under special anti-rust treatment
- Stainless steel impeller
- AISI 304 shaft
- Max. liquid temperature: +40°C
- Max. suction: +9 m

Motor

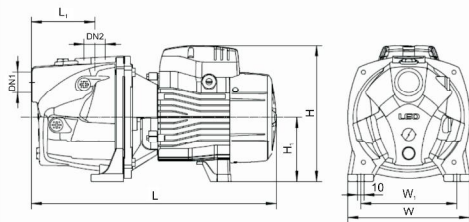
- C&U bearing
- Motor with copper winding
- Built-in thermal protector for single phase motor
- Insulation class: F
- Protection class: IPX4
- Max. ambient temperature: +40°C

Identification Codes



Technical Data

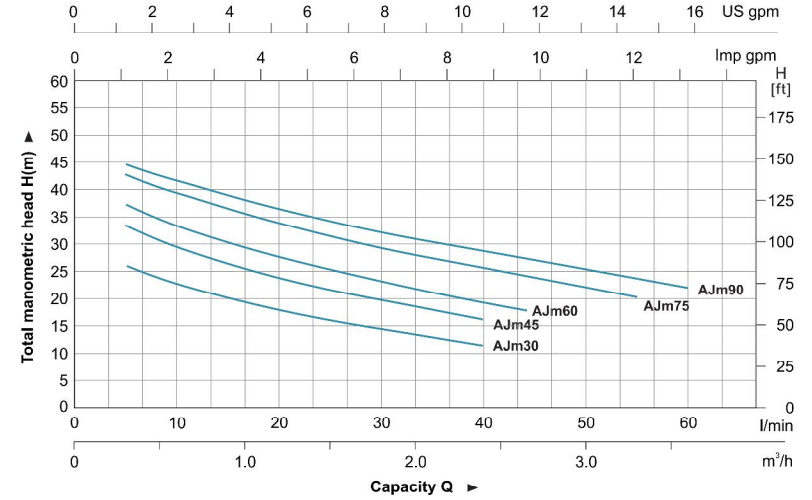
MODEL		POWER		Q (m³/h)														
Single Phase	Three Phase	kW	HP	Q (l/min)		0	0.6	0.6	0.9	1.2	1.5	1.8	2.1	2.4	2.8	3.0	3.3	3.6
AJm30	AJ30	0.3	0.4	30	26	23	20	18	16.5	15	13	11						
AJm45	AJ45	0.45	0.6	38	35	31	27	25	22	20	19	16						
AJm60	AJ60	0.6	0.8	43	37	33	30	27	25	23	21	20	18					
AJm75	AJ75	0.75	1.0	46	40	38	36	34	32	30	28	27	25	23	20			
AJm90	AJ90	0.9	1.2	48	44	42	39	37	35	34	31	31	29	28	25	22		



Dimension

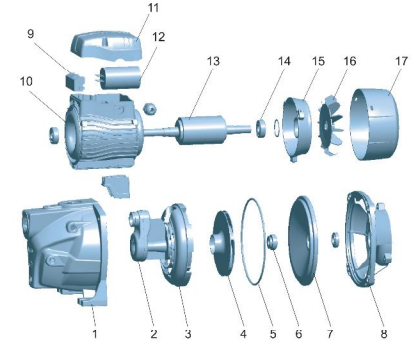
Model	DN1	DN2	L (mm)	W (mm)	H (mm)	L1 (mm)	W1 (mm)	H1 (mm)
AJm30	1"	1"	338	160	182	79	125	90
AJm45			338	160	182	79	125	90
AJm60			381	190	212	94	150	100
AJm75			381	190	212	94	150	100
AJm90			381	190	212	94	150	100

Hydraulic Performance Curve



Materials Table

No.	Part	Material
1	Pump body	HT200
2	Venturi tube	PPG
3	Diffuser	PPG
4	Impeller	AISI 304
5	O-ring	NBR
6	Mechanical seal	Carbon/ceramic
7	Bracket cover	HT200
8	Support	ZL102
9	Terminal board	PC
10	Stator	
11	Capacitor box	ABS
12	Capacitor	
13	Rotor	
14	Bearing	
15	End cover	ZL102
16	Fan	PP
17	Fan cover	PP



Package Information

Model	GW (Kgs)	L (mm)	W (mm)	H (mm)	Quantity (PCS/20 TEU)
AJm30	8.6	365	185	208	1860
AJm45	9.5				
AJm60	12.9	415	215	238	1215
AJm75	14.2				
AJm90	14.7				

Application

- It can be used to transfer clean water or other liquids similar to water in physical and chemical properties. It is suitable for lifting water from the well, sprinkling irrigation in garden, pressure boosting of running water, and supporting equipment etc.

Pump

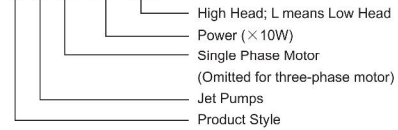
- Cast iron pump body and support under special anti-rust treatment
- Stainless steel impeller
- AISI 304 shaft
- Max. liquid temperature: +40°C
- Max. suction: +9 m

Motor

- C&U bearing
- Motor with copper winding
- Built-in thermal protector for single phase motor
- Insulation class: F
- Protection class: IPX4
- Max. ambient temperature: +40°C

Identification Codes

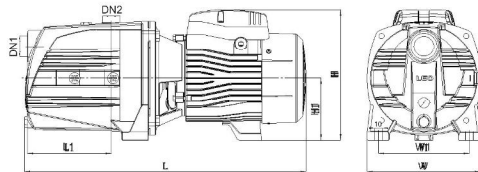
A J m 110 (H)



Technical Data

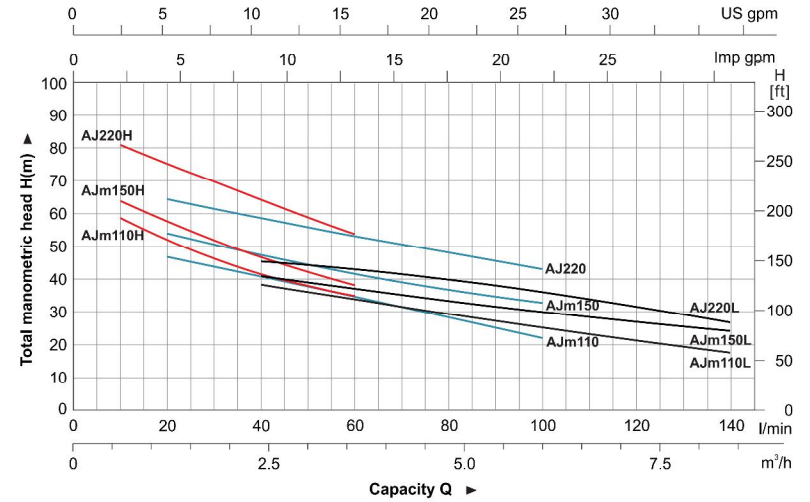
MODEL		POWER		Q (m³/h)																	
Single Phase	Three Phase	kW	HP	0	0.6	0.9	1.2	1.5	1.8	2.1	2.4	2.7	3.0	3.6	4.2	4.8	6.0	7.2	8.4	9.6	
				Q (l/min)																	
				0	10	15	20	25	30	35	40	45	50	60	70	80	100	120	140	160	
AJm110H	AJ110H	1.1	1.5	H (m)	60	55	55	49	49	46	44	40	39.5	38	36	30					
AJm150H	AJ150H	1.6	2.2		72	66	61	59	54	52	49.5	49	45	42	42	33					
---	AJ220H	2.2	3		85	78	78	72	73	70	67	61	61	59	53	42					
AJm110	AJ110	1.1	1.5		55	50	48	47	45	44	42.5	40	39	38	35	31.5	31	23			
AJm150	AJ150	1.5	2.2		60	55	56	53	52	51	49	45	46	45	39	38	33				
---	AJ220	2.2	3		68	64	65.5	61	63	61.5	60	55	57	56	51	51	46	41	35		
AJm110L	AJ110L	1.1	1.5		47	45	45	43	42	41	40	38	37.5	36.5	34	31	30	22	21	17	
AJm150L	AJ150L	1.5	2		54	52	46	49	44	43	42	45	40	39	38	35	32	29	24	24	
---	AJ220L	2.2	3		55	53	49.5	52	48	47.5	46.5	49	45	44	46	41	43	40	34	26	30

Dimension



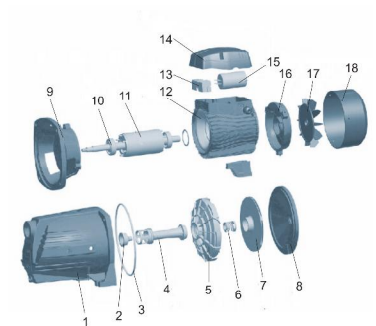
Model	DN1	DN2	L (mm)	W (mm)	H (mm)	L (mm)	W (mm)	H (mm)
AJm110	1 1/4"	1"	512	206	236	153	178	112
AJm110H			512	206	236	153	178	112
AJm110L			512	206	236	153	178	112
AJm150			512	206	236	153	178	112
AJm150H			512	206	236	153	178	112
AJm150L			512	206	236	153	178	112
AJ220	1 1/2"	1 1/2"	512	206	236	153	178	112
AJ220H			512	206	236	153	178	112
AJ220L			512	206	236	153	178	112

Hydraulic Performance Curve



Materials Table

No.	Part	Material
1	Pump body	HT200
2	Nozzle	PPO
3	O-ring	NBR
4	Nozzle Jet	PPO
5	Outlet Cover	PPO
6	Mechanical seal	Carbon/ceramic
7	Impeller	AISI 304
8	Bracket cover	HT200
9	Support	ZL102
10	Bearing	
11	Rotor	
12	Stator	
13	Terminal board	PC
14	Capacitor box	ABS
15	Capacitor	
16	End cover	ZL102
17	Fan	PP
18	Fan cover	PP



Package Information

Model	GW (Kgs)	L (mm)	W (mm)	H (mm)	Quantity (PCS/20 TEU)
AJm110	24.5	572	225	259	816
AJm110H	24.5	572	225	259	816
AJm110L	24.5	572	225	259	816
AJm150	25.4	572	225	259	816
AJm150H	25.4	572	225	259	816
AJm150L	25.4	572	225	259	816
AJ220	26.0	572	225	259	816
AJ220H	26.0	572	225	259	816
AJ220L	26.0	572	225	259	816

Application

- It can be used to transfer clean water or other liquids similar to water in physical and chemical properties. It is suitable for industrial use and urban water supply, pressure boosting for high buildings and fire fighting, garden irrigation, long-distance water transfer, heating ventilation and air controlling, circulation and pressure boosting for cold and hot water, and supporting equipment etc.

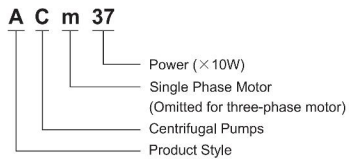
Pump

- Cast iron pump body and support under special anti-rust treatment
- Stainless steel impeller
- AISI 304 shaft
- Max. liquid temperature: +60°C
- Max. suction: +8 m

Motor

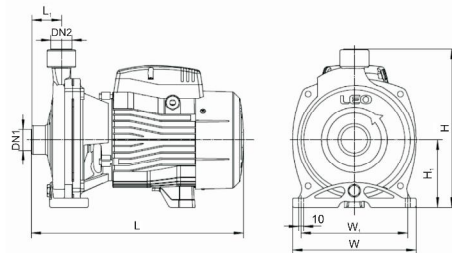
- C&U bearing
- Motor with copper winding
- Built-in thermal protector for single phase motor
- Insulation class: F
- Protection class: IPX4
- Max. ambient temperature: +40°C

Identification Codes



Technical Data

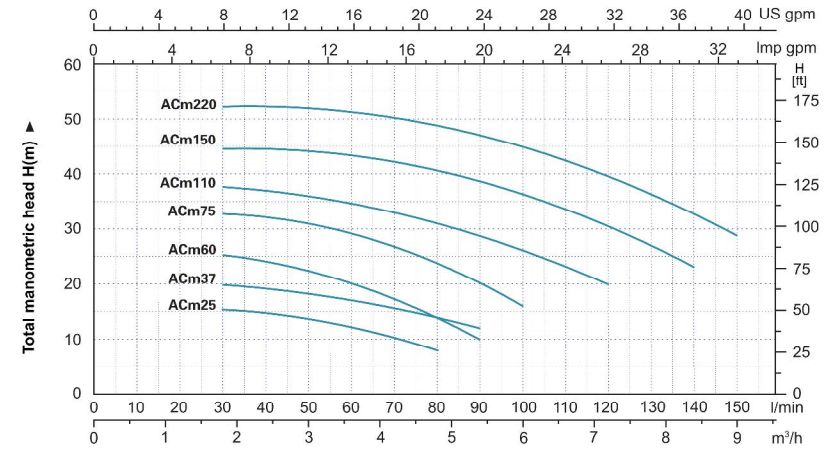
MODEL		POWER		Q (m³/h)																				
Single Phase	Three Phase	kW	HP	Q (l/min)																				
ACm25	AC25	0.25	0.3	0	10	20	30	40	50	60	70	80	90	100	110	120	130	140	150	160	170	180	190	200
ACm37	AC37	0.37	0.5	17	16.5	16	15.5	14.5	13.5	12.5	10.5	8												
ACm60	AC60	0.6	0.8	23	21.5	21	20.5	19.5	18	17	15.5	14	12											
ACm75	AC75	0.75	1.0	27	26.5	26	25	24.5	22.5	20	17	14	10											
ACm110	AC110	1.1	1.5	35	34.5	33.5	33	32	31	29	27	24	20	16										
ACm150	AC150	1.5	2	40	39	38.5	38	37	36	34.5	33	31.5	29	26	23	20								
ACm220	AC220	2.2	3	48			45.5	44.5	43.5	42.5	41.5	40.5	39	37	34.5	31	27	22						
				55			53	52.5	51.5	50.5	49.5	48.5	47	45.5	43.5	40	36.5	32.5	28					



Dimension

Model	DN1	DN2	L (mm)	W (mm)	H (mm)	L ₁ (mm)	W ₁ (mm)	H ₁ (mm)
ACm25	1"	1"	270	157	216	42	122	90
ACm37			270	157	216	42	122	90
ACm60			298	190	240	44	160	90
ACm75			298	190	240	44	160	100
ACm110	1 1/4"	1"	353	206	263	50	178	112
ACm150			360	240	286	51	207	115
ACm220			360	240	286	51	207	115

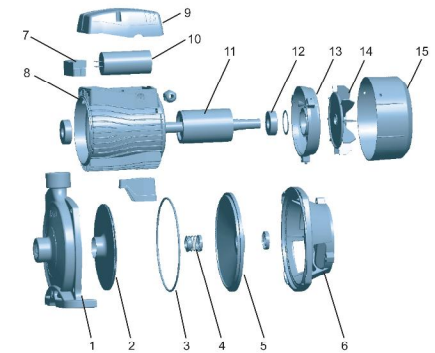
Hydraulic Performance Curve



Capacity Q ▶

Materials Table

No.	Part	Material
1	Pump body	HT200
2	Impeller	AISI 304
3	O-ring	NBR
4	Mechanical seal	Carbon/ceramic
5	Bracket cover	HT200
6	Support	ZL102
7	Terminal board	PC
8	Stator	
9	Capacitor box	ABS
10	Capacitor	
11	Rotor	
12	Bearing	
13	End cover	ZL102
14	Fan	PP
15	Fan cover	PP



Package Information

Model	GW (Kgs)	L (mm)	W (mm)	H (mm)	Quantity (PCS/20 TEU)
ACm25	7	287	180	230	2322
ACm37	8.4	290	185	239	2124
ACm60	11	325	210	270	1464
ACm75	13.4	333	215	260	1384
ACm110	17.8	383	233	287	987
ACm150	22.8	425	265	310	767
ACm220	23.3	425	265	310	751

Application

- It can be used to transfer clean water or other liquids similar to water in physical and chemical properties. It is suitable for industrial use and urban water supply, pressure boosting for high buildings and fire fighting, garden irrigation, long-distance water transfer, heating ventilation and air controlling, circulation and pressure boosting for cold and hot water, and supporting equipment etc.

Pump

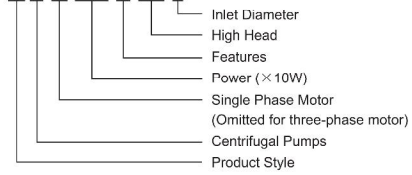
- Cast iron pump body and support under special anti-rust treatment
- AISI 304 shaft
- Max. liquid temperature: +60°C
- Max. suction: +8 m

Motor

- C&U bearing
- Motor with copper winding
- Insulation class: F
- Protection class: IPX4
- Max. ambient temperature: +40°C

Identification Codes

ACm 220 C (H) 2

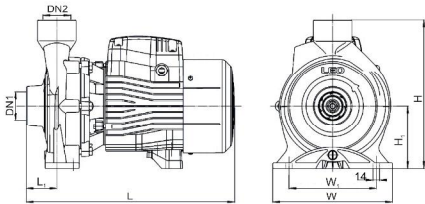


Technical Data

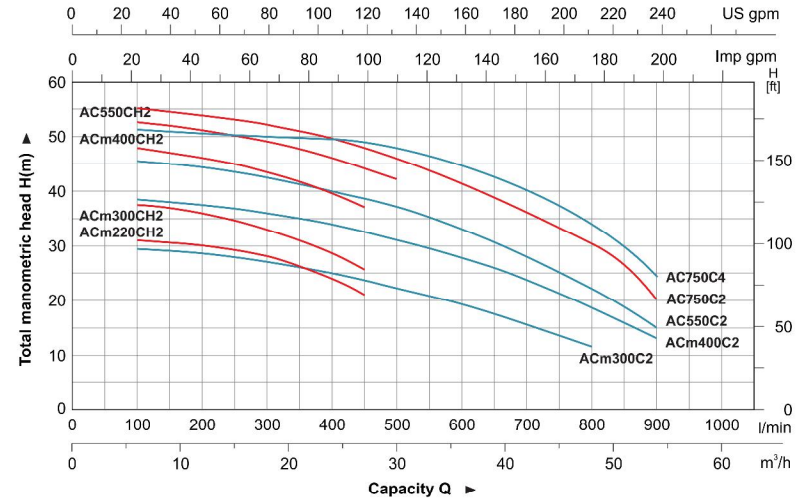
MODEL		POWER		Q (m³/h)														
Single Phase	Three Phase	kW	HP	0	6	9	12	15	18	24	27	30	36	42	48	54		
				Q (l/min)	0	100	150	200	250	300	400	450	500	600	700	800	900	
ACm220CH2	AC220CH2	2.2	3	H (m)	31	30	29.5	28.5	27.5	26	21.5	18.5						
ACm300CH2	AC300CH2	3	4		38	37.5	37	36	34.5	33	28.5	25.5						
ACm400CH2	AC400CH2	4	5.5		49	48	47	46	45	43.5	39.5	37						
---	AC550CH2	5.5	7.5		54	52.5	52	51	50	49	46	44	42					
ACm300C2	AC300C2	3	4		30	29.5	29	28.5	28	27	25	23.5	22	19.5	15.5	11.5		
ACm400C2	AC400C2	4	5		39	38.5	38	37.5	37	36	34	32.5	31	28	24	18.5	13	
---	AC550C2	5.5	7.5		46.5	45.5	45	44.5	43.5	42.5	40	38.5	37	33	28	22	15	
---	AC750C2	7.5	10		56.5	55	55	54.5	53.5	52.5	50	48.5	46.5	42	36.5	30.5	20	
---	AC750C4	7.5	10		52.5	52	52	51.5	51	50.5	48	46.5	44.5	40	35.5	30.5	24	

Dimension

Model	DN1	DN2	L (mm)	W (mm)	H (mm)	L ₁ (mm)	W ₁ (mm)	H ₁ (mm)		
ACm220CH2	2"	2"	444	255	315	65	186	132		
ACm300CH2			444	255	315	65	186	132		
ACm400CH2			496.5	280	326	70	195	136		
AC550CH2			496.5	280	326	70	195	136		
ACm300C2			444	255	315	65	186	132		
ACm400C2			496.5	280	326	70	195	136		
AC550C2			496.5	280	326	70	195	136		
AC750C2			515	290	360	85	216	150		
AC750C4			4"	3"	525	290	360	95	216	150

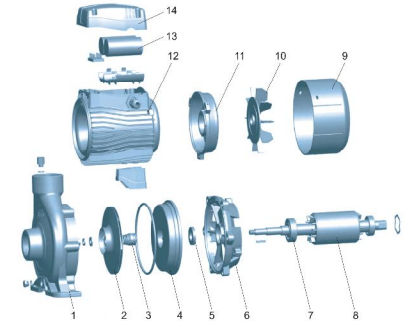


Hydraulic Performance Curve



Materials Table

No.	Part	Material
1	Pump body	HT200
2	Impeller	HPb59-1
3	Mechanical seal	Carbon/ceramic
4	Bracket cover	HT200
5	Oil seal	
6	Support	HT200
7	Bearing	
8	Rotor	
9	Fan cover	PP
10	Fan	PP
11	End cover	ZL102
12	Stator	
13	Capacitor	
14	Capacitor box	ABS



Package Information

Model	GW (kgs)	L (mm)	W (mm)	H (mm)	Quantity (PCS/20 TEU)
ACm220CH2	38.5	507	304	365	454
ACm300CH2	41.5	507	304	365	421
ACm400CH2	53.5	562	328	383	327
AC550CH2	56	562	328	383	312
ACm300C2	41	507	304	365	426
ACm400C2	56.5	562	328	383	309
AC550C2	54.5	562	328	383	320
AC750B2	61	587	338	417	286
AC750C4	62.5	587	338	417	279

Application

- It can be used to transfer clean water or other liquids similar to water in physical and chemical properties. It is suitable for industrial use and urban water supply, pressure boosting for high buildings and fire fighting, garden irrigation, long-distance water transfer, heating ventilation and air controlling, circulation and pressure boosting for cold and hot water, and supporting equipment etc.

Pump

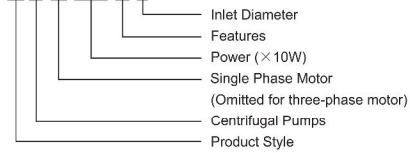
- Cast iron pump body and support under special anti-rust treatment
- AISI 304 shaft
- Max. liquid temperature: +60°C
- Max. suction: +8 m

Motor

- C&U bearing
- Motor with copper winding
- Built-in thermal protector for single phase motor (≤ 1.5 kW)
- Insulation class: F
- Protection class: IPX4
- Max. ambient temperature: +40°C

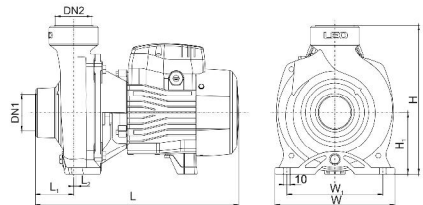
Identification Codes

ACm110B2



Technical Data

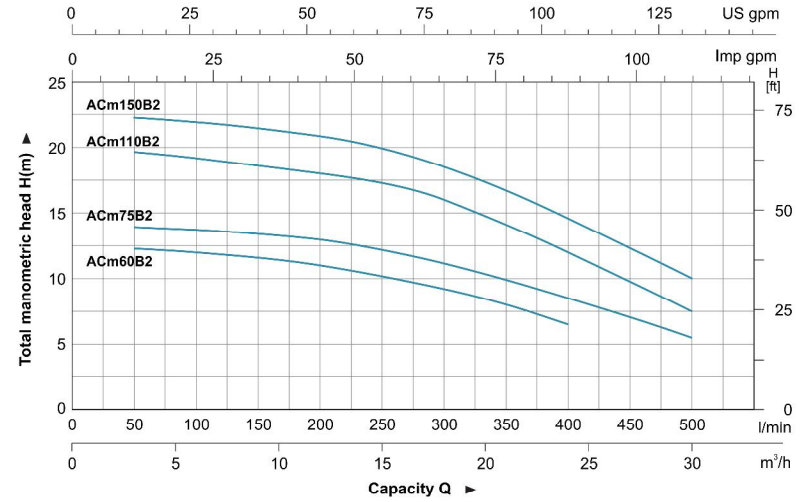
MODEL		POWER		Q (m ³ /h)		Q (l/min)																	
Single Phase	Three Phase	kW	HP	0	6	9	12	15	18	21	24	30	0	100	150	200	250	300	350	400	500		
ACm60B2	AC60B2	0.6	0.8	H (m)	12.5	12	11.7	11	10.2	9.2	8	6.5	12.5	12	11.7	11	10.2	9.2	8	6.5			
ACm75B2	AC75B2	0.75	1		14	13.7	13.5	13	12.3	11.2	9.9	8.5	5.5	14	13.7	13.5	13	12.3	11.2	9.9	8.5	5.5	
ACm110B2	AC110B2	1.1	1.5		19.5	19.2	19	18.5	17.7	16.5	15	13	8.5	19.5	19.2	19	18.5	17.7	16.5	15	13	8.5	
ACm150B2	AC150B2	1.5	2		22	21.5	21	20.5	19.5	18.3	16.5	14.5	9.5	22	21.5	21	20.5	19.5	18.3	16.5	14.5	9.5	



Dimension

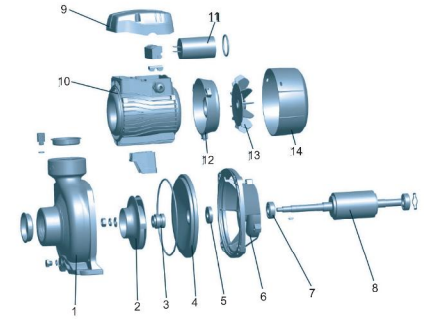
Model	DN1	DN2	L (mm)	W (mm)	H (mm)	L ₁ (mm)	L ₂ (mm)	W ₁ (mm)	H ₁ (mm)
ACm60B2	2"	2"	331	195	242	62.5	4	156	100
ACm75B2	2"	2"	331	195	242	62.5	4	156	100
ACm110B2	2"	2"	371	206	263	59	3.5	166	112
ACm150B2	2"	2"	371	206	263	59	3.5	166	112

Hydraulic Performance Curve



Materials Table

No.	Part	Material
1	Pump body	HT200
2	Impeller	HPb59-1
3	Mechanical seal	Carbon/ceramic
4	Bracket cover	HT200
5	Oil seal	
6	Support	ZL102
7	Bearing	
8	Rotor	
9	Capacitor box	ABS
10	Stator	
11	Capacitor	
12	End plate	ZL102
13	Fan	PP
14	Fan cover	PP



Package Information

Model	GW (Kgs)	L (mm)	W (mm)	H (mm)	Quantity (PCS/20 TEU)
ACm60B2	14.4	375	214	265	1264
ACm75B2	15.2	375	214	265	1264
ACm110B2	19.9	415	225	280	1128
ACm150B2	20.7	415	225	280	1128

Application

- It can be used to transfer clean water or other liquids similar to water in physical and chemical properties. It is suitable for industrial use and urban water supply, pressure boosting for high buildings and fire fighting, garden irrigation, long-distance water transfer, heating ventilation and air controlling, circulation and pressure boosting for cold and hot water, and supporting equipment etc.

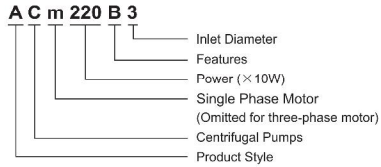
Pump

- Cast iron pump body and support under special anti-rust treatment
- AISI 304 shaft
- Max. liquid temperature: +60°C
- Max. suction: +8 m

Motor

- C&U bearing
- Motor with copper winding
- Built-in thermal protector for single phase motor (≤ 1.5 kW)
- Insulation class: F
- Protection class: IPX4
- Max. ambient temperature: +40°C

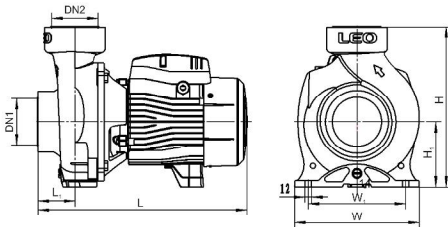
Identification Codes



Technical Data

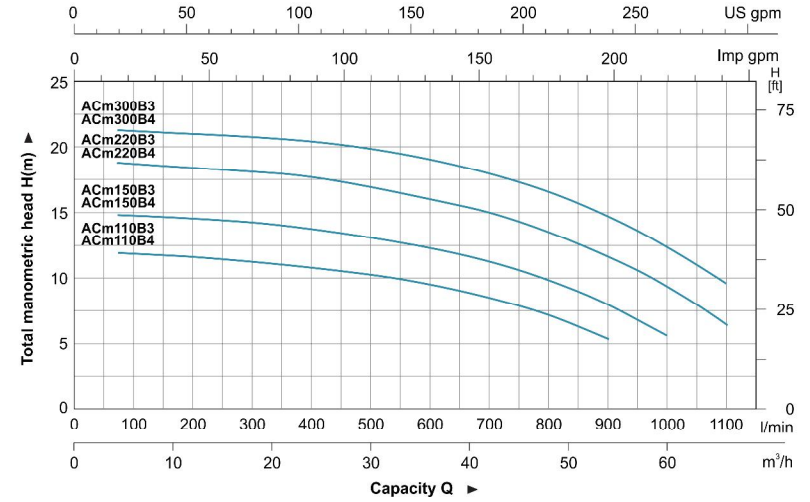
MODEL		POWER		Q (m ³ /h)													
Single Phase	Three Phase	kW	HP	0	12	18	24	30	36	42	48	54	60	66	H (m)		
				Q (l/min)	0	200	300	400	500	600	700	800	900	1000	1100		
ACm110B3	AC110B3	1.1	1.5		12.5	12.5	12.1	11.5	10.5	9.5	8.4	7.1	5.5				
ACm110B4	AC110B4	1.1	1.5		12.5	12.5	12.1	11.5	10.5	9.5	8.4	7.1	5.5				
ACm150B3	AC150B3	1.5	2		14.5	14.3	14	13.5	12.8	12	11.2	9.9	8.4	6			
ACm150B4	AC150B4	1.5	2		14.5	14.3	14	13.5	12.8	12	11.2	9.9	8.4	6			
ACm220B3	AC220B3	2.2	3		17.5	17.3	17.1	16.5	16	15.2	14.2	13.2	11.7	10	7.2		
ACm220B4	AC220B4	2.2	3		17.5	17.3	17.1	16.5	16	15.2	14.2	13.2	11.7	10	7.2		
ACm300B3	AC300B3	3	4		20	19.8	19.6	19.5	19	18.3	17.5	16.2	14.6	13	10		
ACm300B4	AC300B4	3	4		20	19.8	19.6	19.5	19	18.3	17.5	16.2	14.6	13	10		

Dimension



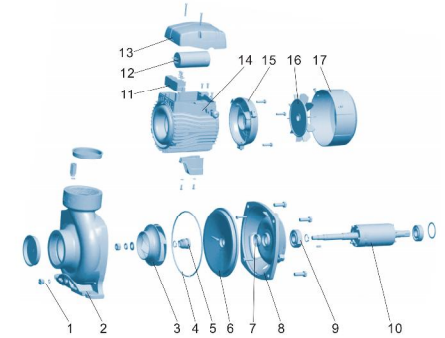
Model	DN1	DN2	L (mm)	W (mm)	H (mm)	L ₁ (mm)	W ₁ (mm)	H ₁ (mm)
ACm110B3	3"	3"	386	230	295	68	180	120
ACm110B4	4"	4"	393	230	295	75	180	120
ACm150B3	3"	3"	386	230	295	68	180	120
ACm150B4	4"	4"	393	230	295	75	180	120
ACm220B3	3"	3"	453	230	295	68	180	120
ACm220B4	4"	4"	460	230	295	75	180	120
ACm300B3	3"	3"	453	230	295	68	180	120
ACm300B4	4"	4"	460	230	295	75	180	120

Hydraulic Performance Curve



Materials Table

No.	Part	Material
1	Filling plug	HPb59-1
2	Pump body	HT200
3	Impeller	HPb59-1
4	O-ring	NBR
5	Mechanical seal	Carbon/ceramic
6	Bracket cover	HT200
7	Oil seal	
8	Support	HT200
9	Bearing	
10	Rotor	
11	Terminal board	PC
12	Capacitor	
13	Capacitor box	ABS
14	Stator	
15	End plate	ZL102
16	Fan	PP
17	Fan cover	PP



Package Information

Model	GW (Kgs)	L (mm)	W (mm)	H (mm)	Quantity (PCS/20 TEU)
ACm110B3	26.3	435	265	315	770
ACm110B4	29.5	435	265	315	770
ACm150B3	27.2	435	265	315	770
ACm150B4	30.4	435	265	315	770
ACm220B3	34.8	500	265	315	680
ACm220B4	38	500	265	315	680
ACm300B3	37.3	500	265	315	680
ACm300B4	40.5	500	265	315	680

ACm

Self-Priming Multistage Centrifugal Pumps

Application

- It can be used to transfer clean water or other liquids similar to water in physical and chemical properties. It is suitable for industrial use and urban water supply, pressure boosting for high buildings and fire fighting, garden irrigation, long-distance water transfer, heating ventilation and air controlling, circulation and pressure boosting for cold and hot water, and supporting equipment etc.

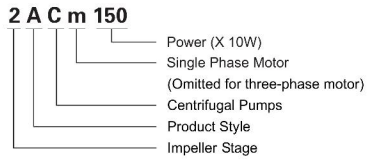
Pump

- Cast iron pump body and support under special anti-rust treatment
- AISI 304 shaft
- Max. liquid temperature: +40°C
- Max. suction: +8 m

Motor

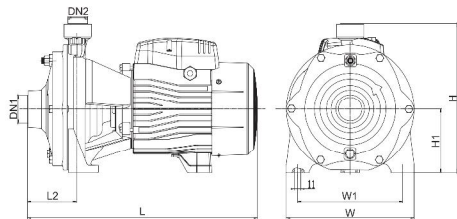
- C&U bearing
- Motor with copper winding
- Built-in thermal protector for single phase motor
- Insulation class: F
- Protection class: IPX4
- Max. ambient temperature: +40°C

Identification Codes



Technical Data

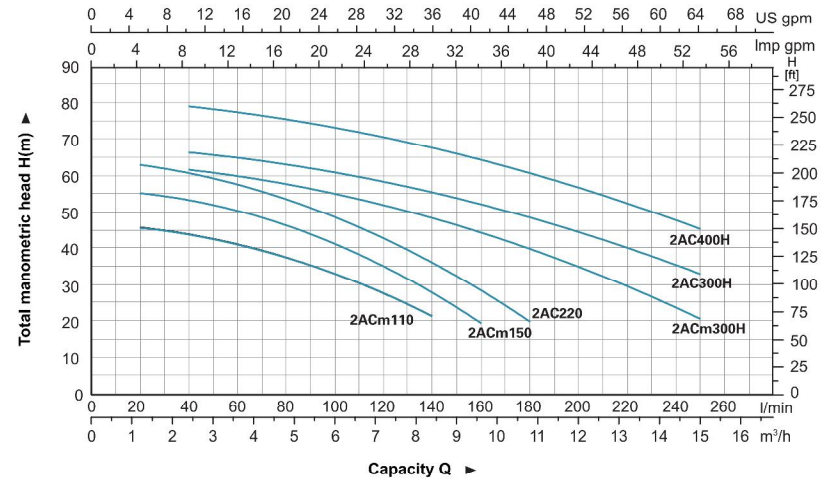
MODEL		POWER		Q (m³/h)		H (m)																	
Single Phase	Three Phase	kW	HP	Q (l/min)	Q (l/min)	0	1.2	1.8	2.4	3	3.6	4.2	4.8	5.4	6	6.6	7.2	7.5	8.4	9.6	10.8	12	
2ACm110	2AC110	1.1	1.5			47	46	45	44	43	41.5	38	35.5	33	30.5	28	26	22					
2ACm150	2AC150	1.5	2			57.5	55.5	54.5	53.5	52	50.5	47	44.5	41.5	38.5	35	33	28	20				
---	2AC220	2.2	3			65	63	62	61	59.5	58	54	51.5	49	46	43	41	36	28.5	20.5			
2ACm300H	---	3	4			65			62	61	60	58	56.5	55	53.5	52.5	52	48.5	44.5	40	35	21	
---	2AC300H	3	4			70			67	66	65	63	62	61	59.5	59	58.5	55.5	52	49	45	33	
---	2AC400H	4	5.5			82			79.5	78.5	77.5	75.5	74.5	73.5	72	71	70.5	67.5	64.5	61	57	45.5	



Dimension

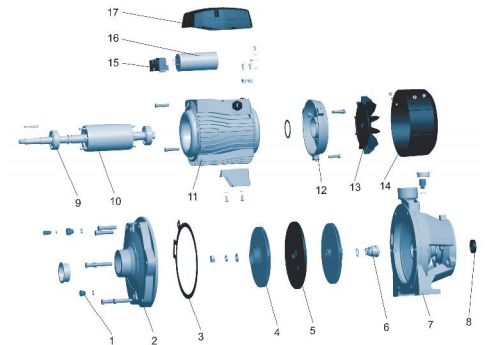
Model	DN1	DN2	L (mm)	W (mm)	H (mm)	L ₁ (mm)	W ₁ (mm)	H ₁ (mm)
2ACm110	1 1/2"	1"	379	200	225	71	162	93
2ACm150			400	225	262	80	185	112
2AC220			480	281	311	63	234	132
2ACm300H	1 1/4"	1 1/4"	480	281	311	63	234	132
2AC300H			510	318	355	340		
2AC400H			510	318	355	334		

Hydraulic Performance Curve



Materials Table

No.	Part	Material
1	Drain plug	HPb59-1
2	Pump body	HT200
3	Gasket	NBR
4	Impeller	HPb59-1
5	Bracket cover	HT200
6	Mechanical seal	Carbon/ceramic
7	Support	HT200
8	Oil seal	
9	Bearing	
10	Rotor	
11	Stator	
12	End plate	ZL102
13	Fan	
14	Fan cover	PP
15	Terminal board	PC
16	Capacitor	
17	Capacitor box	ABS



Package Information

Model	GW (Kgs)	L (mm)	W (mm)	H (mm)	Quantity (PCS/20' TEU)
2ACm110	21	430	234	274	833
2ACm150	27.5	440	254	299	636
2AC220	27.8	440	254	299	629
2ACm300H	51.9	510	318	355	337
2AC300H	51.5	510	318	355	340
2AC400H	52.4	510	318	355	334

ACm

Self-Priming Multistage Centrifugal Pumps

Application

- With self-priming function, the pump can be used to transfer clean water or other liquids similar to water in physical and chemical properties. It is suitable for industrial use and urban water supply, domestic water supply, high rise buildings, long distance water transfer and related auxiliary equipment etc.

Pump

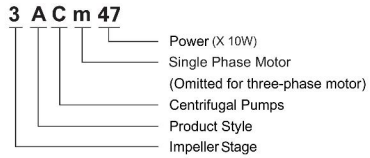
- Cast iron pump body and support under special anti-rust treatment
- AISI 304 shaft
- Max. liquid temperature: +40°C
- Max. suction: +8 m

Motor

- C&U bearing
- Motor with copper winding
- Built-in thermal protector for single phase motor
- Insulation class: F
- Protection class: IPX4
- Max. ambient Temperature: +40°C

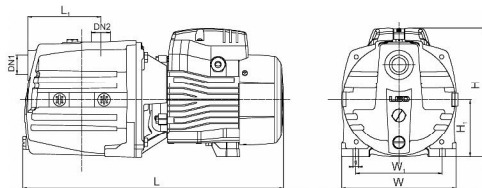


Identification Codes



Technical Data

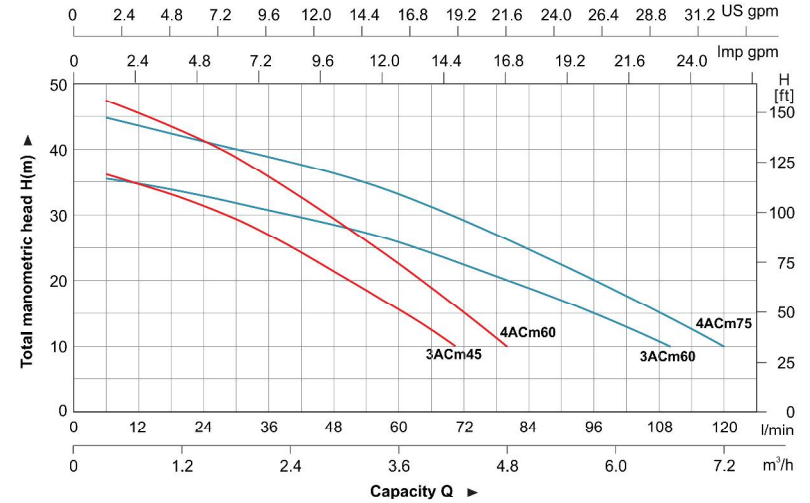
MODEL	POWER		Q (m³/h)																																																																																																																				
	Single Phase	Three Phase	0	0.3	0.6	0.9	1.2	1.5	1.8	2.4	3.0	3.6	4.2	4.8	5.4	6.0	6.6	7.2																																																																																																					
3ACm45	3AC45	0.45	0.6	<table border="1"> <thead> <tr> <th rowspan="2">Q (l/min)</th> <th colspan="12">H (m)</th> </tr> <tr> <th>0</th><th>5</th><th>10</th><th>15</th><th>20</th><th>25</th><th>30</th><th>40</th><th>50</th><th>60</th><th>70</th><th>80</th><th>90</th><th>100</th><th>110</th><th>120</th> </tr> </thead> <tbody> <tr> <td>36</td><td>36.5</td><td>35</td><td>34</td><td>32.5</td><td>31</td><td>29.5</td><td>25</td><td>20</td><td>15.5</td><td>10</td><td></td><td></td><td></td><td></td><td></td><td></td><td></td> </tr> <tr> <td>49</td><td>48</td><td>46.5</td><td>45</td><td>43</td><td>40.5</td><td>38.5</td><td>33.5</td><td>28</td><td>22.5</td><td>16</td><td>10</td><td></td><td></td><td></td><td></td><td></td><td></td> </tr> <tr> <td>36</td><td>35.5</td><td>35</td><td>34</td><td>33.5</td><td>32.5</td><td>32</td><td>30</td><td>28</td><td>26</td><td>23</td><td>20</td><td>17</td><td>13.5</td><td>10</td><td></td><td></td><td></td> </tr> <tr> <td>46</td><td>45</td><td>44</td><td>43</td><td>42</td><td>41</td><td>40</td><td>38</td><td>35.5</td><td>33</td><td>30</td><td>26.5</td><td>22.5</td><td>19</td><td>15</td><td>10</td><td></td><td></td> </tr> </tbody> </table>															Q (l/min)	H (m)												0	5	10	15	20	25	30	40	50	60	70	80	90	100	110	120	36	36.5	35	34	32.5	31	29.5	25	20	15.5	10								49	48	46.5	45	43	40.5	38.5	33.5	28	22.5	16	10							36	35.5	35	34	33.5	32.5	32	30	28	26	23	20	17	13.5	10				46	45	44	43	42	41	40	38	35.5	33	30	26.5	22.5	19	15	10		
Q (l/min)	H (m)																																																																																																																						
	0	5	10																15	20	25	30	40	50	60	70	80	90	100	110	120																																																																																								
36	36.5	35	34																32.5	31	29.5	25	20	15.5	10																																																																																														
49	48	46.5	45	43	40.5	38.5	33.5	28	22.5	16	10																																																																																																												
36	35.5	35	34	33.5	32.5	32	30	28	26	23	20	17	13.5	10																																																																																																									
46	45	44	43	42	41	40	38	35.5	33	30	26.5	22.5	19	15	10																																																																																																								
4ACm60	4AC60	0.6	0.85																																																																																																																				
3ACm60	3AC60	0.6	0.85																																																																																																																				
4ACm75	4AC75	0.75	1																																																																																																																				



Dimension

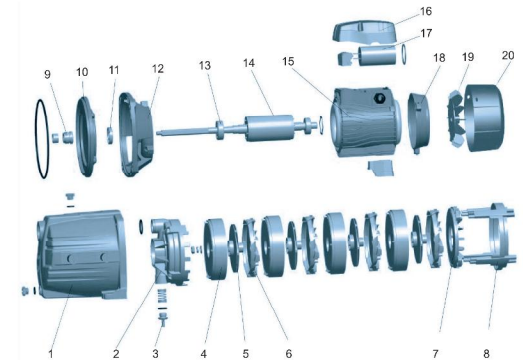
Model	DN1	DN2	L (mm)	W (mm)	H (mm)	L ₁ (mm)	W ₁ (mm)	H ₁ (mm)
3ACm45	1"	1"	368	180	183	90	136	90
4ACm60	1"	1"	405	180	183	115	136	90
3ACm60	1"	1"	485	180	202	90	136	90
4ACm75	1"	1"	510	180	202	115	136	90

Hydraulic Performance Curve



Materials Table

No.	Part	Material
1	Pump body	HT200
2	Pump cover	PPC
3	Return valve	PPC
4	Diffuser 1	PPC
5	Impeller	PPC
6	Diffuser 2	PPC
7	Diffuser holder	PPC
8	Support frame	PPC
9	Mechanical seal	Carbon/ceramic
10	Bracket cover	HT200
11	Oil seal	
12	Support	ZL102
13	Bearing	
14	Rotor	
15	Stator	
16	Capacitor box	ABS
17	Capacitor	
18	End plate	ZL102
19	Fan	PP
20	Fan cover	PP



Package Information

Model	GW (Kgs)	L (mm)	W (mm)	H (mm)	Quantity (PCS/20 TEU)
3ACm45	13.2	405	210	215	1490
4ACm60	16	440	210	215	1300
3ACm60	15.3	425	210	230	1290
4ACm75	17	460	210	230	1260

AMS

Stainless Steel Single-stage Centrifugal Pumps

Application

- It is applicable to household water supply, equipment support, pipeline pressurization, garden watering, vegetable greenhouse watering, fish farming and poultry raising, industrial and mining, water supply and drainage of enterprises and high-rise buildings, central air conditioner and centralized heating circulation system, etc.

Features

- Axial suction and radial discharge.
- Compact structure & coaxial installation. The pump is directly connected with the motor.
- Convenient installation with threaded inlet and outlet.
- Corrosion resistance, components in contact with pumped liquid are of AISI 304 stainless steel.

Pump

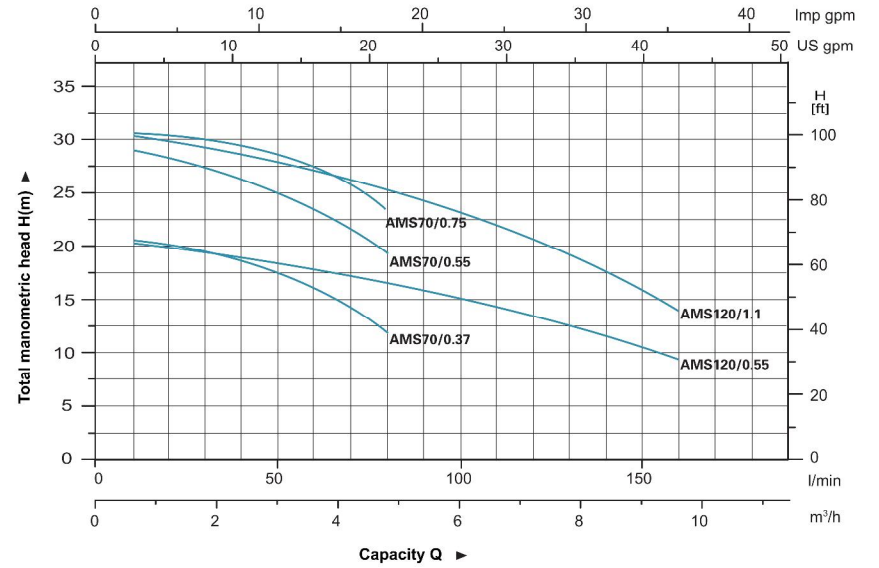
- AISI 304 pump body
- AISI 304 shaft
- Max. liquid temperature: +85 °C
- Altitude: up to 1000 m

Motor

- C&U bearing
- Motor with copper winding
- Built-in thermal protector for single phase motor
- Insulation class: F
- Protection class: IPX4
- Max. temperature: +40 °C



Hydraulic Performance Curve



Identification Codes

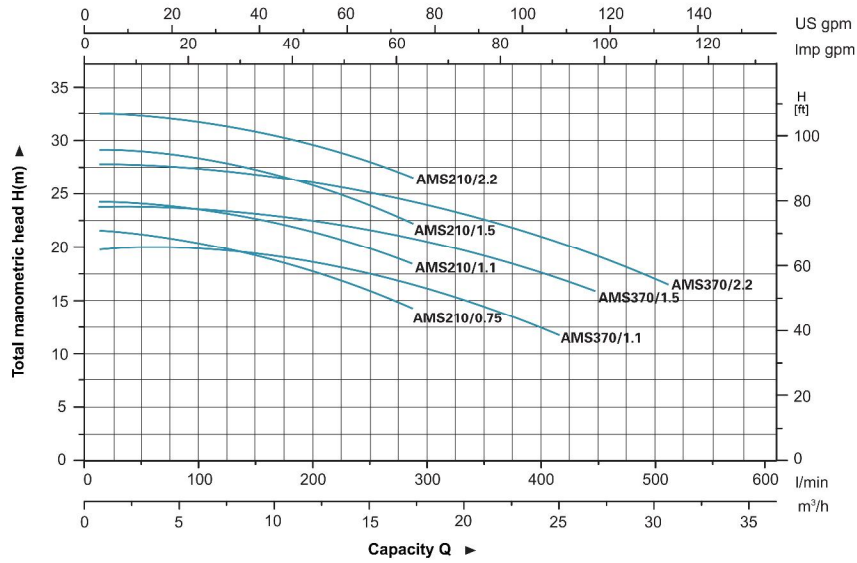
A MS m 210 / 1.5

- Rated Power (kW)
- Rated Flow (l/min)
- Single Phase Motor (Omitted for three-phase motor)
- Stainless Steel Single-stage Pumps (50Hz)
- Product Style

Technical Data

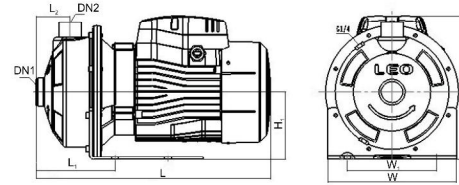
MODEL		POWER		Capacity Q													
Single Phase	Three Phase	kW	HP	0	30	40	60	80	100	120	140	160	180				
				0	1.8	2.4	3.6	4.8	6	7.2	8.4	9.6	10.8				
AMSm70/0.37	AMS70/0.37	0.37	0.5	20.9	19.0	18.1	15.7	12.1									
AMSm70/0.55	AMS70/0.55	0.55	0.75	29.5	27.3	26.3	23.4	19.1									
AMSm70/0.75	AMS70/0.75	0.75	1.0	30.4	28.5	27.8	26.0	23.0									
AMSm120/0.55	AMS120/0.55	0.55	0.75	21.2			17.9	16.6	15.1	13.3	11.2	8.7					
AMSm120/1.1	AMS120/1.1	1.1	1.5	30.2			26.7	25.1	23.3	21.2	19.0	16.4					

Hydraulic Performance Curve



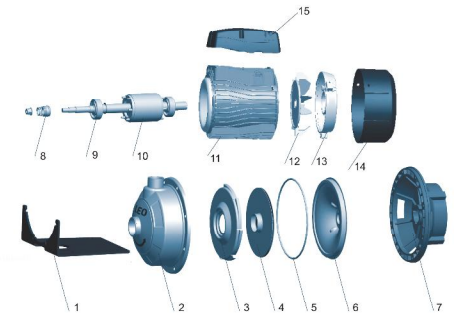
Dimension

Model	Ports DN1	Ports DN2	L (mm)	W (mm)	H (mm)	L ₁ (mm)	L ₂ (mm)	W ₁ (mm)	H ₁ (mm)
AMS70/0.37	1½	1	332	210	224	109	55	150	110
AMS70/0.55	1½	1	332	210	224	109	55	150	110
AMS70/0.75	1½	1	381	210	234	109	55	150	110
AMS120/0.55	1½	1	332	210	224	109	55	150	110
AMS120/1.1	1½	1	381	210	234	109	55	150	110
AMS210/0.75	1½	1½	392	210	234	119	55	150	110
AMS210/1.1	1½	1½	392	210	234	119	55	150	110
AMS210/1.5	1½	1½	440	210	250	119	55	150	110
AMS210/2.2	1½	1½	440	210	250	119	55	150	110
AMS370/1.1	2	1½	392	210	234	119	55	150	110
AMS370/1.5	2	1½	440	210	250	119	55	150	110
AMS370/2.2	2	1½	440	210	250	119	55	150	110



Materials Table

No.	Part	Material
1	Bottom support	Steel
2	Pump body	AISI 304
3	Diffuser	AISI 304
4	Impeller	AISI 304
5	O-ring	NBR
6	Airproof plate	AISI 304
7	Support	ZL102
8	Mechanical seal	Silicon/carbon
9	Ball bearing	
10	Rotor	
11	Stator	
12	Fan	PP
13	Rear housing	ZL102
14	Fan cover	PP
15	Terminal box	ABS



Technical Data

MODEL		POWER		l/min		Capacity Q																
Single Phase	Three Phase	kW	HP	m³/h	H(m)	0	30	60	100	120	140	160	180	200	250	300	350	400	430	480	520	
						0	1.8	3.6	6	7.2	8.4	9.6	10.8	12	15	18	21	24	26	29	31	
AMSm210/0.75	AMS210/0.75	0.75	1.0		16.8					15.6	15.2	14.8	14.2	13.6	11.9	9.8						
AMSm210/1.1	AMS210/1.1	1.1	1.5		19.7					18.7	18.3	18.0	17.5	17.1	15.6	13.6						
AMSm210/1.5	AMS210/1.5	1.5	2.0		24.2					23.5	23.2	22.8	22.4	21.8	20.2	18.0						
AMSm210/2.2	AMS210/2.2	2.2	3.0		27.5					26.7	26.5	26.1	25.7	25.2	23.8	21.9						
AMSm370/1.1	AMS370/1.1	1.1	1.5		15.4								14.7	14.4	13.5	12.3	10.8	8.9	7.6			
AMSm370/1.5	AMS370/1.5	1.5	2.0		19.3									18.1	17.3	16.3	15.0	13.3	12.3	10.2		
AMSm370/2.2	AMS370/2.2	2.2	3.0		23.1										21.7	20.9	20.0	18.8	17.2	16.2	14.2	12.3

Package Information

Model	GW (Kgs)	L (mm)	W (mm)	H (mm)	Quantity (PCS/20 TEU)
AMS70/0.37	10	380	240	270	1200
AMS70/0.55	11	380	240	270	1200
AMS70/0.75	14	410	240	270	1104
AMS120/0.55	11	380	240	270	1200
AMS120/1.1	15	410	240	270	1104
AMS210/0.75	14	410	240	270	1104
AMS210/1.1	15	410	240	270	1104
AMS210/1.5	18	465	240	270	968
AMS210/2.2	20	465	240	270	968
AMS370/1.1	15	410	240	270	1104
AMS370/1.5	18	465	240	270	968
AMS370/2.2	20	465	240	270	968

Application

- To transfer clean water with liquid temperature between 0°C and 40°C.
- Applicable in water supply and drainage for factories, mines, municipal facilities as well as field irrigation, etc.

Features

- Strengthened pump body ensures more durable and reliable service.
- The temperature of engine oil is always in best condition due to 2-in-1 integrated construction.
- Better sealing effect by using special mechanical seal.
- 5-direction outlet for convenient use.
- Improved starter handle for easier starting.
- 20% increased loading quantity thanks to very compact design.
- Less gasoline consumption.

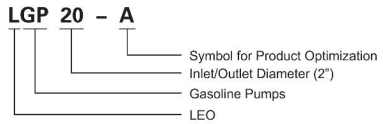
Pump

- Anti-rust cast iron impeller and diffuser
- High quality forged steel crankshaft
- Max. suction: 8 m
- Inlet/outlet: 50 mm/80 mm

Engine

- Single cylinder, 4-stroke, Air-cooled
- Max. power: 5.5 HP/6.5 HP
- Displacement: 163 cc/196 cc
- Rated speed: 3600 rpm

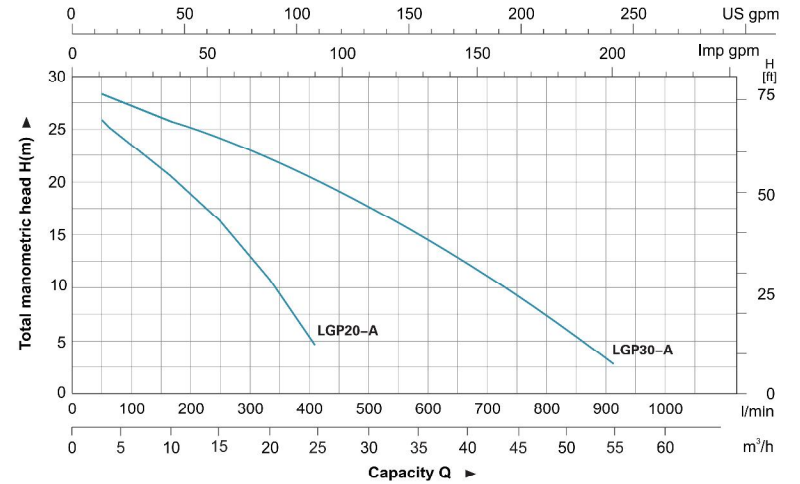
Identification Codes



Technical Data

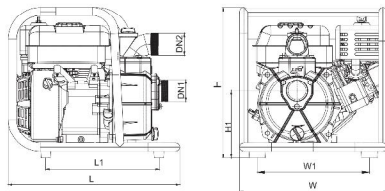
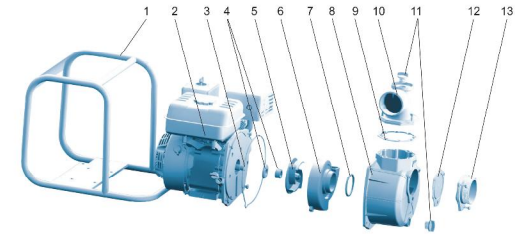
MODEL	POWER HP	Q (m³/h) Q (l/min)	H (m)															
			0	5	10	15	20	25	30	35	40	45	50	55	60			
LGP20-A	5.5	28.6	25.1	21.6	17.6	13.4	5.9	-	-	-	-	-	-	-	-	-	-	
LGP30-A	6.5	29.5	28.4	26.4	24.5	22.4	20.4	17.7	15.4	12.4	8.9	5.5	2.6	-	-	-	-	

Hydraulic Performance Curve



Materials Table

No.	Part	Material
1	Frame	Steel
2	Gasoline engine	-
3	O-ring	NBR
4	Mechanical seal	Ceramic/carbon
5	Impeller	Cast iron
6	Diffuser	Cast iron
7	O-ring	NBR
8	Pump body	Aluminum
9	Gasket	NBR
10	Outlet	Aluminum
11	Filling plug	PA6
12	Non-return valve	NBR
13	Inlet	Aluminum



Dimension

Model	DN1	DN2	L (mm)	W (mm)	H (mm)	L1 (mm)	W1 (mm)	H1 (mm)
LGP20-A	2"	2"	462	397.5	405.5	306.5	302.5	181
LGP30-A	3"	3"	462	397.5	405.5	306.5	302.5	189

Package Information

Model	GW (Kgs)	L (mm)	W (mm)	H (mm)	Quantity (PCS/20 TEU)
LGP20-A	21.5	450	395	410	350
LGP30-A	23	450	395	410	350

Application

- The lifting station is suitable for pumping of wastewater off places in private dwellings and basements where wastewater cannot be led directly to the sewer by means of a natural downward slope.
- It is typically used for:
 - Renovation of offices or other commercial buildings
 - Wall-mounted toilets in basements below sewer level
 - Washing machines & dish washers
 - Toilets, wash basins, bathtubs and cabinet showers in the bathrooms where the location may be remote from the main soil pipe so that a natural slope cannot be established

Features

- Compact and slim for easy installation
- Automatic start and stop
- Top quality air switch and carbon filter from Germany
- Low noise
- Suitable for sewage water containing toilet paper and faeces with cutting blade

Operating Conditions

- Max. liquid temperature: 35°C
- Max. ambient temperature: 40°C
- PH value: 4 - 10
- The pump must not be used for strong chemicals or solvents.

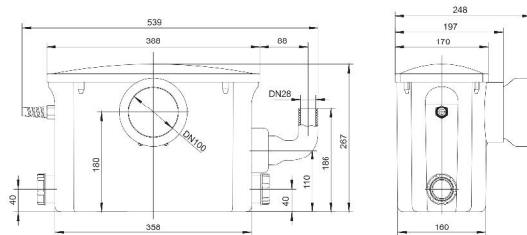
Identification Codes



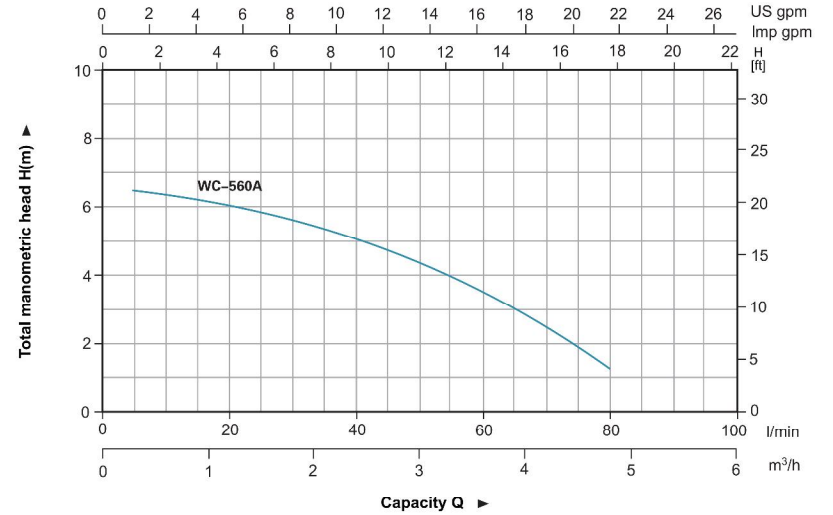
Technical Data

MODEL	POWER	Q (m³/h)	0	0.3	0.6	0.9	1.2	1.5	1.8	2.1	2.4	3	3.3	
Single Phase	W	HP	Q (l/min)	0	5	10	15	20	25	30	35	40	50	55
WC-560A	370	0.4	H (m)	6.5	6.1	5.7	5.3	4.9	4.5	4.1	3.7	3.3	2.4	2

Dimension

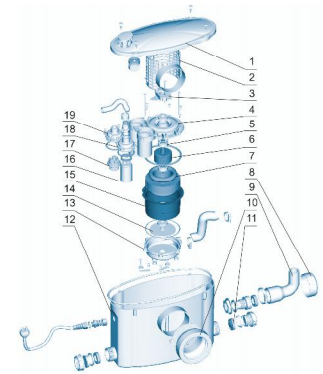


Hydraulic Performance Curve



Materials Table

No.	Part	Material
1	Tank cover	ABS
2	Filter mesh	PP
3	Cutting blade	Steel
4	Top plate	PP
5	Bearing	
6	Rotor	
7	Stator	
8	Outlet cover	Ø8F
9	Outlet	PVC
10	Feed tube	EVA
11	Shutter	
12	Radiator	ABS
13	Pump body	PP
14	Impeller	POM
15	Stator shield	AISI 304
16	Capacitor	
17	Air switch	
18	Capacitor cover	PP
19	Switch cover	PP



Package Information

Model	GW (Kgs)	L (mm)	W (mm)	H (mm)	Quantity (PCS/20 TEU)
WC-560A	7.4	557	212	280	864

XKP

Pool Pumps

Application

- It is used for water circulation in all kinds of small domestic swimming pools. Slightly dirty water with solids in suspension can be perfectly filtered.

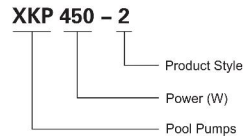
Pump

- Plastic pump body
- AISI 304 shaft
- Max. liquid temperature: +35°C
- Max. suction: 3.5 m

Motor

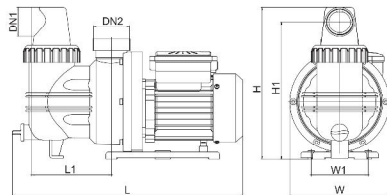
- Motor with copper or aluminum winding
- Built-in thermal protector for single phase motor
- Insulation class: B
- Protection class: IPX5

Identification Codes



Technical Data

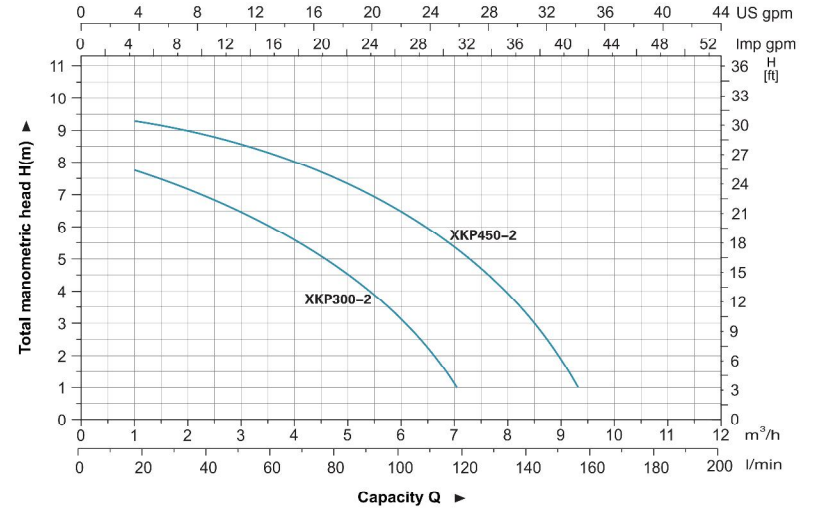
MODEL	POWER (P _i) W	Q (m ³ /h) Q (l/min)	1	2	3	4	5	6	7	8	9	10
			H (m)									
XKP300-2	300		7.7	7.2	6.4	5.5	4.5	3	1	-	-	-
XKP450-2	450		9.3	8.8	8	8	7.3	6.4	5.2	4	2	-



Dimension

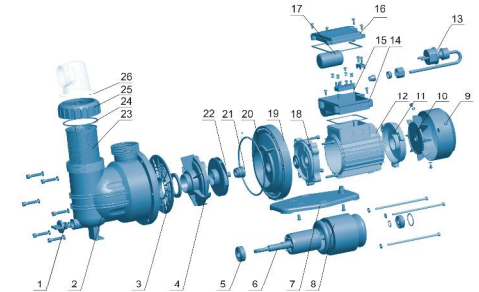
Model	DN1	DN2	L (mm)	W (mm)	H (mm)	L1 (mm)	W1 (mm)	H1 (mm)
XKP300-2	40	40	404	175	267	140	100	241
XKP450-2			404	175	267	140	100	241

Hydraulic Performance Curve



Materials Table

No.	Part	Material	No.	Part	Material
1	Filling plug	PP	14	Terminal box	ABS
2	Pump body	PP	15	Terminal board	PC
3	Water proof cover	PPO	16	Terminal box cover	ABS
4	Diffuser	PPO	17	Capacitor	
5	Ball bearing	18	Frontal plate	ZL102	
6	Rotor	19	Support	PP	
7	Base	PA	20	O-ring	NBR
8	Stator	21	Mechanical seal	Carbon/ceramic	
9	Fan cover	Ø8F	22	Impeller	PPO
10	Fan	PP	23	Sieve	PP
11	End plate	ZL102	24	O-ring	NBR
12	Motor body	ZL102	25	Nut	ABS
13	Cable		26	Connector	PC



Package Information

Model	GW (Kgs)	L (mm)	W (mm)	H (mm)	Quantity (PCS/20 TEU)
XKP300-2	5.8	450	203	238	1341
XKP450-2	6.3	450	203	238	1341

XKP

Pool Pumps

Application

- It is used for water circulation in small and medium-sized swimming pools. Slightly dirty water with solids in suspension can be perfectly filtered.

Pump

- Plastic pump body
- AISI 304 shaft
- Max. liquid temperature: +35°C
- Max. suction: 3.5 m

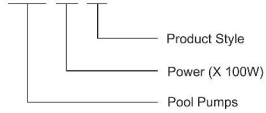
Motor

- Motor with copper or aluminum winding
- Built-in thermal protector for single phase motor
- Insulation class: B
- Protection class: IPX5



Identification Codes

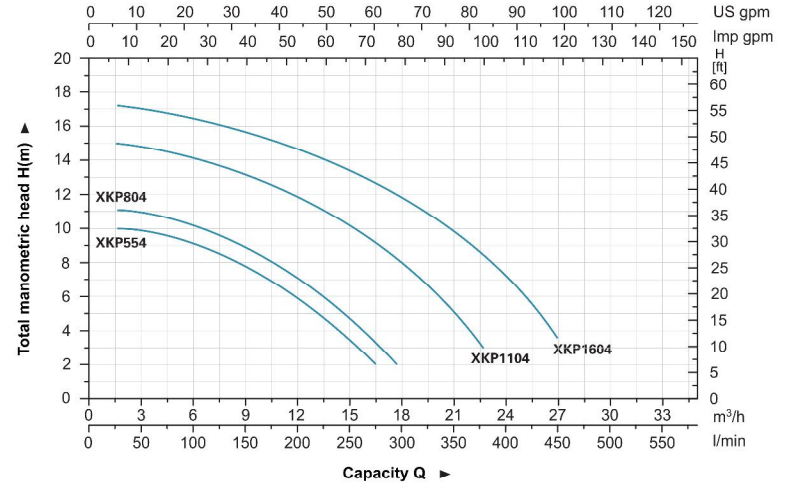
XKP 16 04



Technical Data

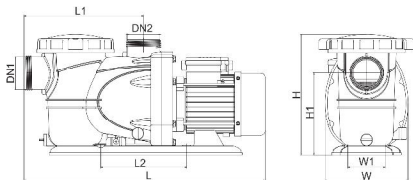
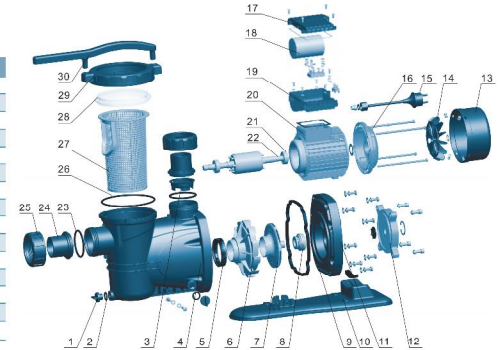
MODEL	POWER (P ₁) W	Q (m ³ /h) Q (l/min)	H (m)											
			3	6	9	12	15	18	21	24	27	30		
XKP554	550		9.7	9	8	6	3.2	0.5	-	-	-	-	-	
XKP804	800		10.8	10.3	8.8	7	4.5	1.5	-	-	-	-	-	
XKP1104	1100		14.8	14.2	13.2	12	10.3	8	4.8	-	-	-	-	
XKP1604	1600		16.8	16.3	15.5	14.5	13.5	12	9.6	7	3.5	-	-	

Hydraulic Performance Curve



Materials Table

No.	Part	Material	No.	Part	Material
1	Drain plug	PP	16	End plate	ZL102
2	O-ring	NBR	17	Capacitor cover	ABS
3	Valve body	PP	18	Capacitor	
4	Pump body	PP	19	Capacitor box	ABS
5	O-ring	NBR	20	Stator	
6	Diffuser	PP	21	Bearing	
7	Impeller	PPO	22	Rotor	
8	Mechanical seal	Carbon/ceramic	23	O-ring	NBR
9	O-ring	NBR	24	Connector	PVC
10	Bottom board	PP	25	Nut	ABS
11	Plastic support	PP	26	O-ring	EPDM
12	Pump support	ZL102	27	Sieve	PP
13	Fan cover	PP	28	Pump cover	PC
14	Fan	PP	29	Pump cover nut	PA6
15	Cable		30	Wrench	PP



Dimension

Model	DN1	DN2	L (mm)	W (mm)	H (mm)	L1 (mm)	L2 (mm)	H1 (mm)
XKP554			553	190	278	274	197	187
XKP804	63	63	553	190	278	274	197	187
XKP1104			553	190	278	274	197	187
XKP1604			583	190	278	274	197	187

Package Information

Model	GW (Kgs)	L (mm)	W (mm)	H (mm)	Quantity (PCS/20 TEU)
XKP554	10.1	585	220	290	816
XKP804	11	585	220	290	816
XKP1104	12.2	585	220	290	816
XKP1604	15.7	615	230	290	744

Application

It can be used to transfer clean or slightly dirty water or other liquids similar to water in physical and chemical properties. It is suitable to be immersed in water for lifting water from the well or the pool, and draining water from the basement.

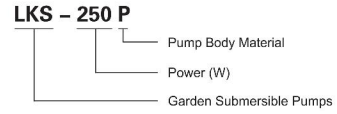
Pump

- Plastic pump body
- Extensive use with two outlets
- Float switch ensures automatic cut-in and cut-out
- Max. liquid temperature: +35°C
- Max. immersion depth: 7 m
- Max. diameter of particle: 5 mm

Motor

- Motor with aluminum winding
- Built-in thermal protector
- Insulation class: F
- Protection class: IPX8

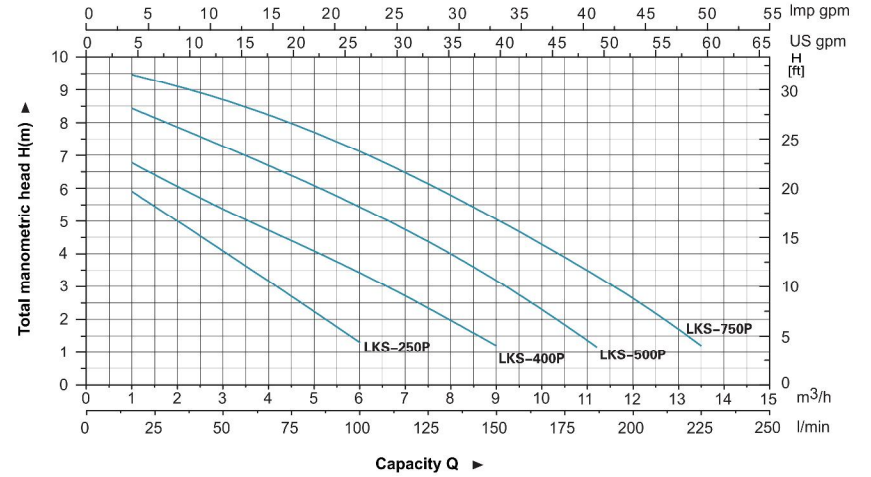
Identification Codes



Technical Data

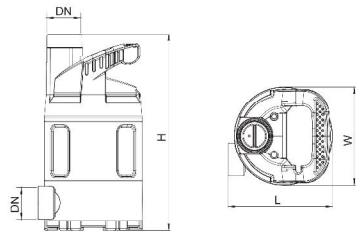
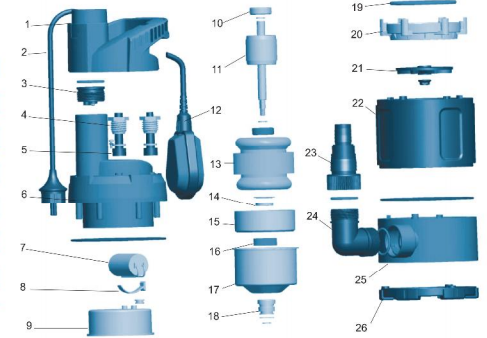
MODEL	POWER (P ₂)		Q (m ³ /h)																					
	W	HP	0	1.5	3	4.5	6	7.5	9	10.5	12	13.5	15	H (m)										
			0	2.5	5.0	7.5	10.0	12.5	15.0	17.5	20.0	22.5	25.0	0	2.5	5.0	7.5	10.0	12.5	15.0	17.5	20.0	22.5	25.0
LKS-250P	250	0.33	6.8	5.3	4.1	3	1.3	0.4	-	-	-	-	-	0	2.5	5.0	7.5	10.0	12.5	15.0	17.5	20.0	22.5	25.0
LKS-400P	400	0.5	7.5	6.2	5.3	4.5	3.5	2.3	1.2	-	-	-	-	2.5	5.0	7.5	10.0	12.5	15.0	17.5	20.0	22.5	25.0	-
LKS-500P	500	0.66	9	8.1	7.3	6.4	5.5	4.5	3.3	1.9	0.4	-	-	5.0	7.5	10.0	12.5	15.0	17.5	20.0	22.5	25.0	-	-
LKS-750P	750	1	9.8	9.5	8.8	8	7.2	6.3	5.1	4	2.7	1.2	-	7.5	10.0	12.5	15.0	17.5	20.0	22.5	25.0	-	-	-

Hydraulic Performance Curve



Materials Table

No.	Part	Material	No.	Part	Material
1	Handle	PP	14	Oil seal	
2	Plug cable	Rubber	15	Bearing seal	ZL102
3	Plug	PP	16	Washer	NBR
4	Nut	PP	17	Stator cover	Steel
5	Cable jacket	EPDM	18	Mechanical seal	Carbon/ceramic
6	Roof	PP	19	O-ring	NBR
7	Capacitor	PP	20	Retainer ring	PP
8	Capacitor clip	POM	21	Impeller	PPD
9	Upper cover	ZL102	22	Pump body	PP
10	Bearing		23	Connecting nut	PP
11	Rotor		24	Outlet adapter	PP
12	Float switch	PP	25	Base	PP
13	Stator		26	Base plate	PP



Dimension

Model	DN	L (mm)	W (mm)	H (mm)
LKS-250P	32	157	148	295
LKS-400P		157	148	295
LKS-500P		157	148	316
LKS-750P		157	148	316

Package Information

Model	GW (Kgs)	L (mm)	W (mm)	H (mm)	Quantity (PCS/20 TEU)
LKS-250P	4.4	210	160	310	2064
LKS-400P	4.6	210	160	310	2064
LKS-500P	5.2	210	160	330	2064
LKS-750P	6	210	160	330	2064

Application

- It can be used to transfer clean or slightly dirty water or other liquids similar to water in physical and chemical properties. It is suitable to be immersed in water for lifting water from the well or the pool, and draining water from the basement.

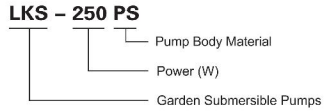
Pump

- Stainless steel pump body outside
- Extensive use with two outlets
- Float switch ensures automatic cut-in and cut-out
- Max. liquid temperature: +35°C
- Max. immersion depth: 7 m
- Max. diameter of particle: 5 mm

Motor

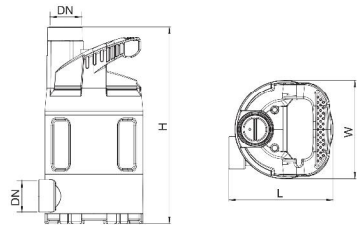
- Motor with aluminum winding
- Built-in thermal protector
- Insulation class: F
- Protection class: IPX8

Identification Codes



Technical Data

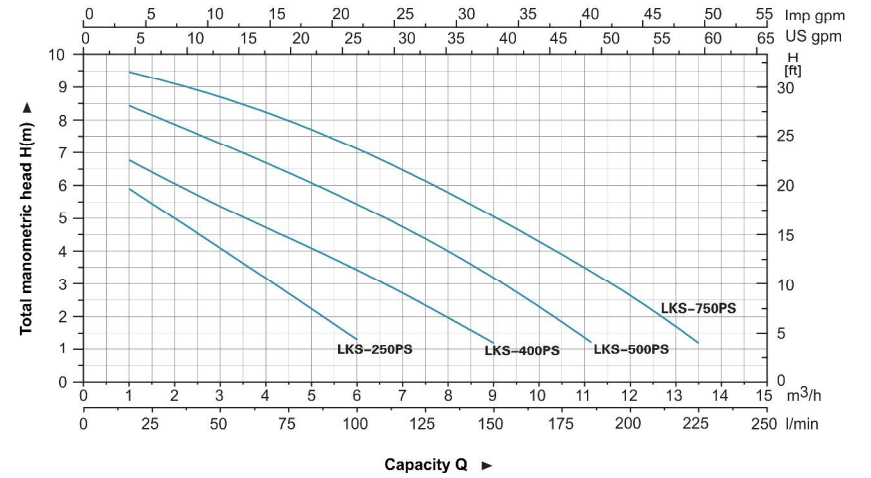
MODEL	POWER (P ₂)		Q (m ³ /h)													
	W	HP	Q (l/min)	0	1.5	3	4.5	6	7.5	9	10.5	12	13.5	15		
LKS-250PS	250	0.33	H (m)	6.8	5.3	4.1	3	1.3	0.4	-	-	-	-	-		
LKS-400PS	400	0.5		7.5	6.2	5.3	4.5	3.5	2.3	1.2	-	-	-	-		
LKS-500PS	500	0.66		9	8.1	7.3	6.4	5.5	4.5	3.3	1.9	0.4	-	-		
LKS-750PS	750	1		9.8	9.5	8.8	8	7.2	6.3	5.1	4	2.7	1.2	-		



Dimension

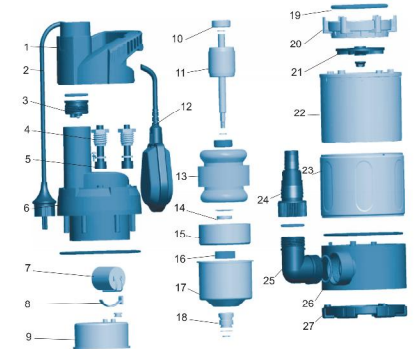
Model	DN	L (mm)	W (mm)	H (mm)
LKS-250PS	32	157	148	295
LKS-400PS		157	148	295
LKS-500PS		157	148	316
LKS-750PS		157	148	316

Hydraulic Performance Curve



Materials Table

No.	Part	Material	No.	Part	Material
1	Handle	PP	14	Oil seal	
2	Plug cable	Rubber	15	Bearing seat	ZL102
3	Plug	PP	16	Gasket	NBR
4	Nut	PP	17	Stator shield	Steel
5	Cable jacket	EPDM	18	Mechanical seal	Carbon/ceramic
6	Roof	PP	19	O-ring	NBR
7	Capacitor		20	Retainer ring	PP
8	Capacitor clip	POM	21	Impeller	PPO
9	Upper cover	ZL102	22	Pump body	PP
10	Bearing		23	Canister	Stainless steel
11	Rotor		24	Connecting nut	PP
12	Float switch	PP	25	Outlet adapter	PP
13	Stator		26	Base	PP
			27	Base plate	PP



Package Information

Model	G/W (Kgs)	L (mm)	W (mm)	H (mm)	Quantity (PCS/20 TEU)
LKS-250PS	4.5	210	160	310	2064
LKS-400PS	4.8	210	160	310	2064
LKS-500PS	5.5	210	160	330	2064
LKS-750PS	6.3	210	160	330	2064

Application

- It can be used to transfer dirty water or other liquids similar to water in physical and chemical properties. It is suitable to be immersed in water for lifting water from the well or the pool, and draining water from the basement.

Pump

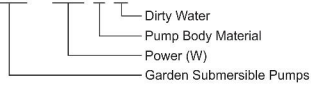
- Plastic pump body
- Extensive use with two outlets
- Max. liquid temperature: +35°C
- Float switch ensures automatic cut-in and cut-out
- Max. immersion depth: 7 m
- Max. diameter of particle: 25 mm

Motor

- Motor with aluminum winding
- Built-in thermal protector
- Insulation class: F
- Protection class: IPX8

Identification Codes

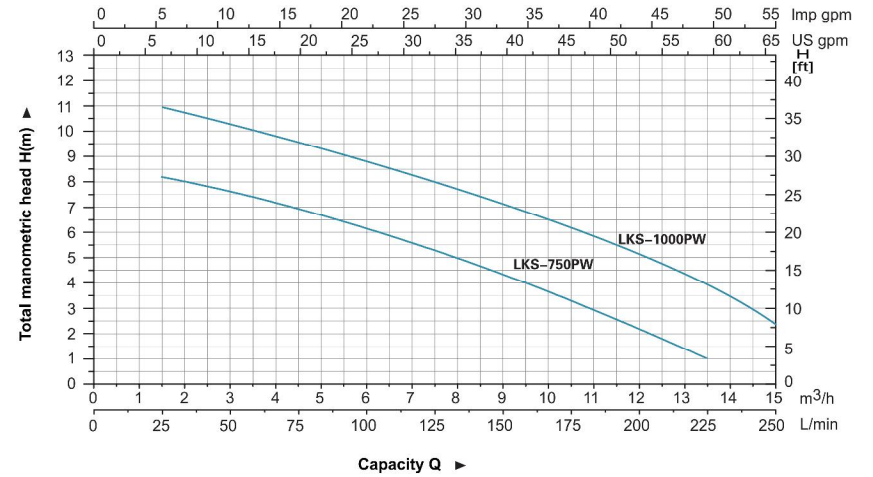
LKS - 750 P W



Technical Data

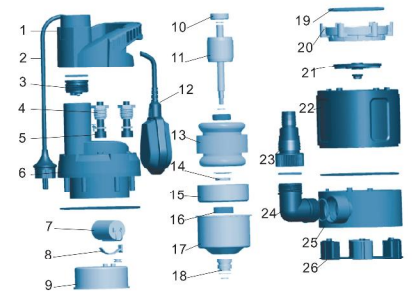
MODEL	POWER (P ₂)		Q (m ³ /h)												
	W	HP	0	1.5	3	4.5	6	7.5	9	10.5	12	13.5	15		
LKS-750PW	750	1	H (m)												
LKS-1000PW	1000	1.33	8.7	8.2	7.7	7	6.2	5.5	4.4	3.3	2.2	1	-		
			12	11.2	10	9.2	8.3	7.8	7	5.8	5.2	4.3	2.4		

Hydraulic Performance Curve



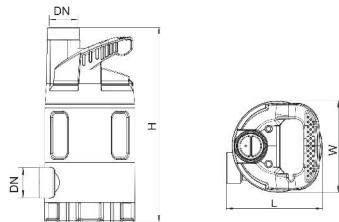
Materials Table

No.	Part	Material	No.	Part	Material
1	Handle	PP	14	Oil seal	
2	Plug cable	Rubber	15	Bearing seat	ZL102
3	Plug	PP	16	Gasket	NBR
4	Nut	PP	17	Stator shield	Steel
5	Cable jacket	EPDM	18	Mechanical seal	Carbon/ceramic
6	Roof	PP	19	O-ring	NBR
7	Capacitor		20	Retainer ring	PP
8	Capacitor clip	POM	21	Impeller	PA6
9	Upper cover	ZL102	22	Pump body	PP
10	Bearing		23	Connecting nut	PP
11	Rotor		24	Outlet adapter	PP
12	Float switch	PP	25	Base	PP
13	Stator		26	Base plate	PP



Package Information

Model	GW (Kgs)	L (mm)	W (mm)	H (mm)	Quantity (PCS/20 TEU)
LKS-750PW	6.1	210	160	350	2064
LKS-1000PW	7.7	210	160	350	1720



Dimension

Model	DN	L (mm)	W (mm)	H (mm)
LKS-750PW	32	157	148	339
LKS-1000PW		157	148	371

Application

- It can be used to transfer dirty water or other liquids similar to water in physical and chemical properties. It is suitable to be immersed in water for lifting water from the well or the pool, and draining water from the basement.

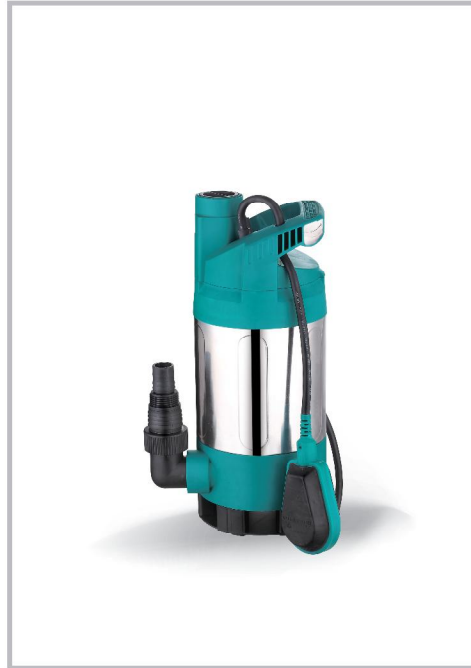
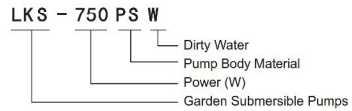
Pump

- Stainless steel pump body outside
- Extensive use with two outlets
- Max. liquid temperature: +35°C
- Float switch ensures automatic cut-in and cut-out
- Max. immersion depth: 7 m
- Max. diameter of particle: 25 mm

Motor

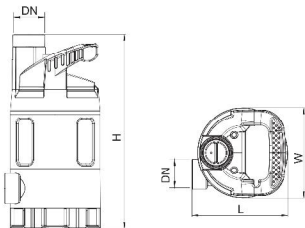
- Motor with aluminum winding
- Built-in thermal protector
- Insulation class: F
- Protection class: IPX8

Identification Codes



Technical Data

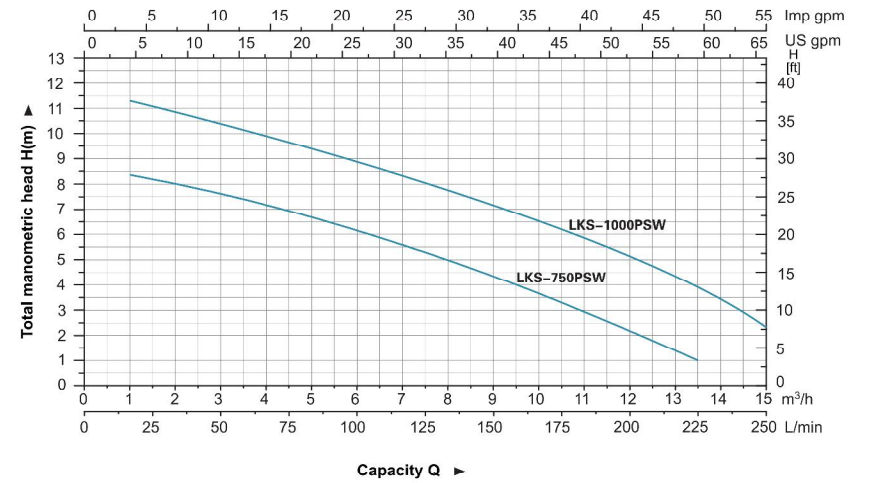
MODEL	POWER (P ₂)		Q (m ³ /h)	Q (l/min)											
	W	HP		0	1.5	3	4.5	6	7.5	9	10.5	12	13.5	15	
LKS-750PSW	750	1	H (m)	8.7	8.2	7.7	7	6.2	5.5	4.4	3.3	2.2	1	-	
LKS-1000PSW	1000	1.33		12	11.2	10	9.2	8.3	7.8	7	5.8	5.2	4.3	2.4	



Dimension

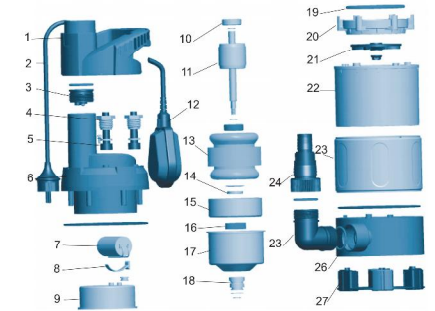
Model	DN	L (mm)	W (mm)	H (mm)
LKS-750PSW	32	157	148	339
LKS-1000PSW		157	148	371

Hydraulic Performance Curve



Materials Table

No.	Part	Material	No.	Part	Material
1	Handle	PP	14	Oil seal	
2	Plug cable	Rubber	15	Bearing seat	ZL102
3	Plug	PP	16	Gasket	NBR
4	Nut	PP	17	Stator shield	Steel
5	Cable jacket	EPDM	18	Mechanical seal	Carbon/ceramic
6	Roof	PP	19	O-ring	NBR
7	Capacitor		20	Retainer ring	IT
8	Capacitor clip	POM	21	Impeller	PA6
9	Upper cover	ZL102	22	Pump body	PP
10	Bearing		23	Canister	Stainless steel
11	Flux		24	Connecting nut	PP
12	Float switch	PP	25	Outlet adapter	PP
13	Stator		26	Base	PP
			27	Base plate	PP



Package Information

Model	GW (Kgs)	L (mm)	W (mm)	H (mm)	Quantity (PCS/20 TEU)
LKS-750PSW	6.3	210	160	350	2064
LKS-1000PSW	7.9	210	160	350	1720

Application

- It can be used to transfer dirty water or other liquids similar to water in physical and chemical properties. It is suitable to be immersed in water for lifting water from the well or the pool, and draining water from the basement.
- It is specially applicable for small space where water needs to be pumped.

Pump

- Plastic pump body
- Extensive use with two outlets
- Max. liquid temperature: +35°C
- Innovative electronic water sensor switch ensures automatic cut-in and cut-out
- Max. immersion depth: 7 m
- Max. diameter of particle: 5 mm

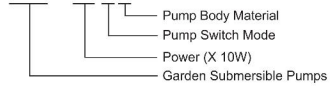
Motor

- Motor with aluminum winding
- Built-in thermal protector
- Insulation class: F
- Protection class: IPX8



Identification Codes

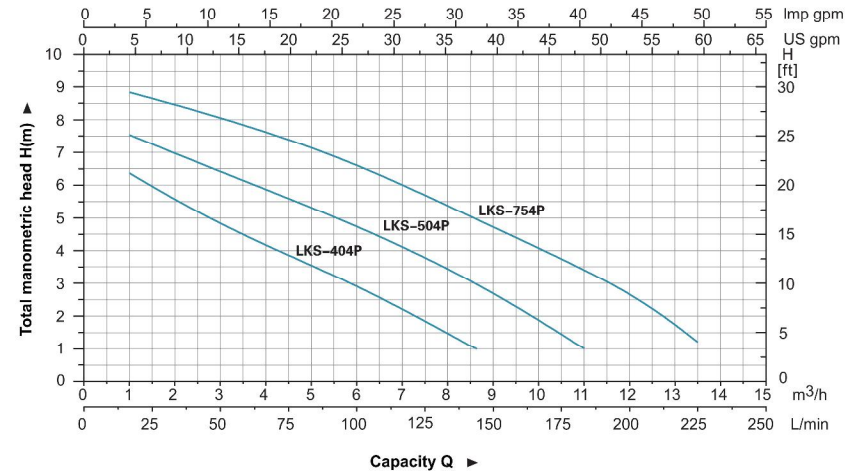
LKS - 40 4 P



Technical Data

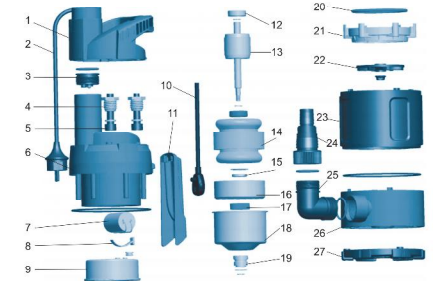
MODEL	POWER (P ₂)		Q (m ³ /h)												
	W	HP	0	1.5	3	4.5	6	7.5	9	10.5	12	13.5	15		
LKS-404P	400	0.5	H (m)												
LKS-504P	500	0.66													
LKS-754P	750	1													

Hydraulic Performance Curve



Materials Table

No.	Part	Material	No.	Part	Material
1	Handle	PP	14	Stator	
2	Plug cable	Rubber	15	Oil seal	
3	Plug	PP	16	Bearing seat	ZL102
4	Nut	PP	17	Gasket	NBR
5	Cable jacket	EPDM	18	Stator shield	Steel
6	Roof	PP	19	Mechanical seal	Carbon/ceramic
7	Capacitor		20	O-ring	NBR
8	Capacitor clip	POM	21	Retainer ring	PP
9	Upper cover	ZL102	22	Impeller	PPO
10	Inductor		23	Pump body	PP
11	inductor shelf	PP	24	Connecting nut	PP
12	Bearing		25	Outlet adapter	PP
13	Rotor		26	Base	PP
			27	Base plate	PP

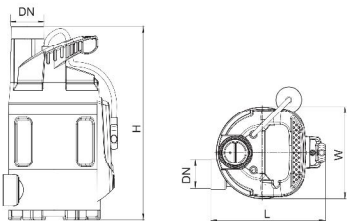


Package Information

Model	GW (Kgs)	L (mm)	W (mm)	H (mm)	Quantity (PCS/20 TEU)
LKS-404P	4.8	210	160	330	2064
LKS-504P	5.4	210	160	350	2064
LKS-754P	6.2	210	160	350	2064

Dimension

Model	DN	L (mm)	W (mm)	H (mm)
LKS-404P	32	157	148	311
LKS-504P		157	148	332
LKS-754P		157	148	332



Application

- It can be used to transfer dirty water or other liquids similar to water in physical and chemical properties. It is suitable to be immersed in water for lifting water from the well or the pool, and draining water from the basement.
- It is specially applicable for small space where water needs to be pumped.

Pump

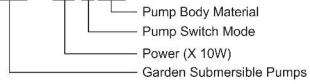
- Stainless steel pump body outside
- Extensive use with two outlets
- Max. liquid temperature: +35°C
- Innovative electronic water sensor switch ensures automatic cut-in and cut-out
- Max. immersion depth: 7 m
- Max. diameter of particle: 5 mm

Motor

- Motor with aluminum winding
- Built-in thermal protector
- Insulation class: F
- Protection class: IPX8

Identification Codes

LKS - 40 4 PS

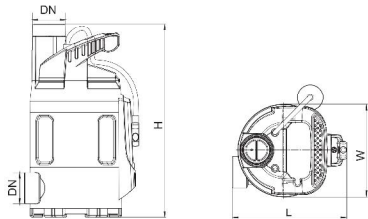


Technical Data

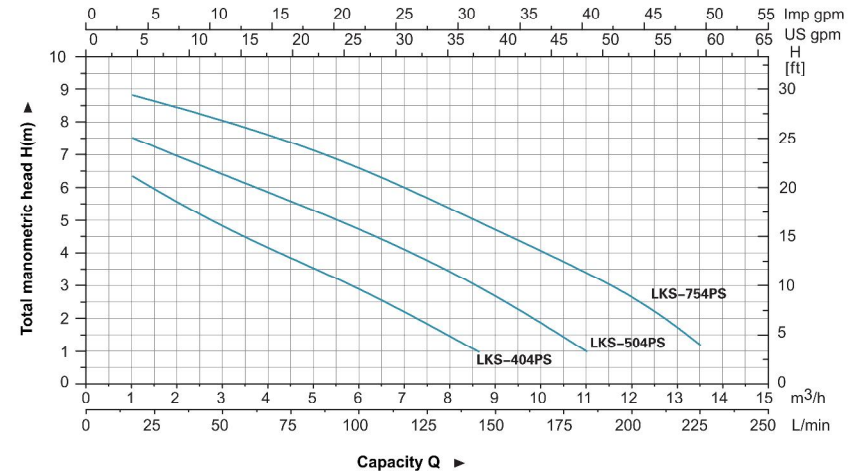
MODEL	POWER (P ₂)		Q (m ³ /h)	Q (l/min)												
	W	HP		0	1.5	3	4.5	6	7.5	9	10.5	12	13.5	15		
LKS-404PS	400	0.5	H (m)	7.2	5.6	4.7	3.9	3	1.9	0.7	-	-	-	-	-	
LKS-504PS	500	0.66		8.1	7.1	6.4	5.7	4.8	3.7	2.8	1.5	0.1	-	-	-	
LKS-754PS	750	1		9.2	8.5	8.1	7.5	6.7	5.7	4.7	3.8	2.8	1.1	-	-	

Dimension

Model	DN	L (mm)	W (mm)	H (mm)
LKS-404PS	32	157	148	311
LKS-504PS		157	148	332
LKS-754PS		157	148	332

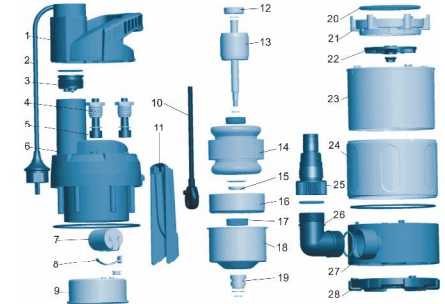


Hydraulic Performance Curve



Materials Table

No.	Part	Material	No.	Part	Material
1	Handle	PP	15	Oil seal	
2	Plug cable	Rubber	16	Bearing seat	ZL102
3	Plug	PP	17	Gasket	NBR
4	Nut	PP	18	Stator shield	Steel
5	Cable jacket	EPDM	19	Seal	
6	Roof	PP	20	O-ring	NBR
7	Capacitor		21	Retainer ring	PP
8	Capacitor clip	POM	22	Impeller	PPPO
9	Upper cover	ZL102	23	Pump body	PP
10	Inductor		24	Canister	Stainless steel
11	Inductor shelf	PP	25	Connecting nut	PP
12	Bearing		26	Outlet adapter	PP
13	Rotor		27	Base	PP
14	Stator		28	Base plate	PP



Package Information

Model	GW (Kgs)	L (mm)	W (mm)	H (mm)	Quantity (PCS/20 TEU)
LKS-404PS	4.9	210	160	330	2064
LKS-504PS	5.6	210	160	350	2064
LKS-754PS	6.7	210	160	350	2064

XKS

Garden Submersible Pumps

Application

- It can be used to transfer clean or slightly dirty water or other liquids similar to water in physical and chemical properties. It is suitable to be immersed in water for lifting water from the well or the pool, and draining water from the basement.

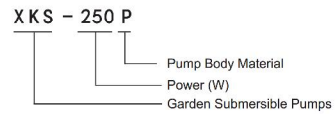
Pump

- Plastic pump body
- Float switch ensures automatic cut-in and cut-out
- Max. liquid temperature: +35°C
- Max. immersion depth: 7 m
- Max. diameter of particle: 5 mm

Motor

- Motor with aluminum winding
- Built-in thermal protector
- Insulation class: F
- Protection class: IPX8

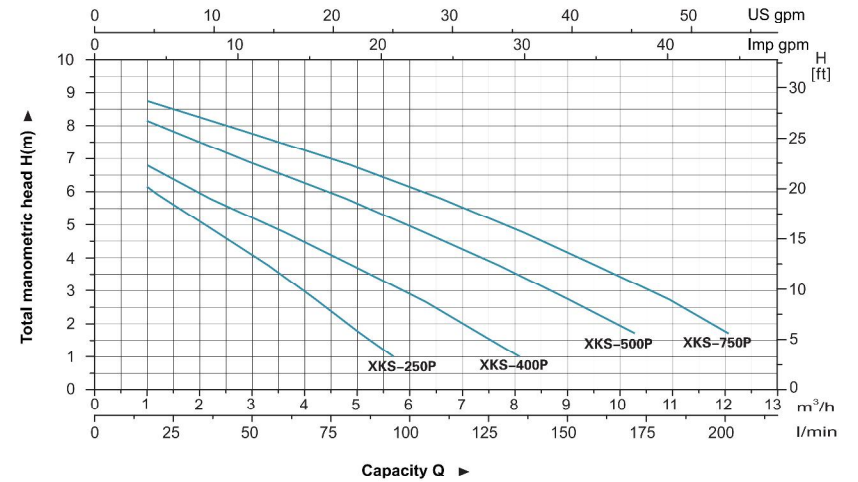
Identification Codes



Technical Data

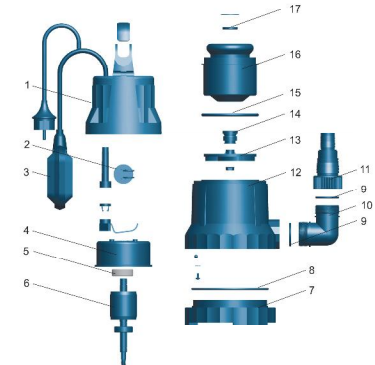
MODEL	POWER		Q (m ³ /h)	1.5	3	4.5	6	7.5	9	10.5
	W	HP								
XKS-250P	250	0.3	H (m)	5.6	4.1	7.4	-	-	-	-
XKS-400P	400	0.5		6.4	5.1	4.1	2.9	1.5	-	-
XKS-500P	500	0.7		7.8	6.8	6	5	3.9	2.7	-
XKS-750P	750	1		8.5	7.7	7	6.2	5.7	4.2	3
				25	50	75	100	125	150	175

Hydraulic Performance Curve



Materials Table

Pos.	Part	Material
1	Upper cover	PP
2	Capacitor	
3	Float switch	
4	Upper plate	ZL10Z
5	Ball bearing	
6	Rotor	
7	Pump base	PP
8	O-ring	NBR
9	O-ring	NBR
10	Connector	PP
11	Connector	PP
12	Pump body	PP
13	Impeller	PPO
14	Mechanical seal	Carbon/ceramic
15	O-ring	NBR
16	Stator	
17	Oil seal	

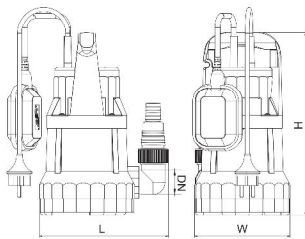


Package Information

Model	GW (Kgs)	L (mm)	W (mm)	H (mm)	Quantity (PCS/20 TEU)
XKS-250P	4.8	210	160	340	2064
XKS-400P	5.1	210	160	340	2064
XKS-500P	5.5	210	160	340	2064
XKS-750P	6.0	210	160	340	2064

Dimension

Model	DN	L (mm)	W (mm)	H (mm)
XKS-250P	32	213	158	300.5
XKS-400P		213	158	300.5
XKS-500P		213	158	300.5
XKS-750P	40	213	158	317.5



Application

- It can be used to transfer clean or slightly dirty water or other liquids similar to water in physical and chemical properties. It is suitable to be immersed in water for lifting water from the well or the pool, and draining water from the basement.

Pump

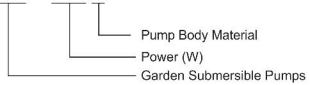
- Stainless steel pump body
- Float switch ensures automatic cut-in and cut-out
- Max. liquid temperature: +35°C
- Max. immersion depth: 7 m
- Max. diameter of particle: 5 mm

Motor

- Motor with aluminum winding
- Built-in thermal protector
- Insulation class: F
- Protection class: IPX8

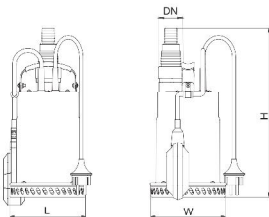
Identification Codes

XKS - 250 S



Technical Data

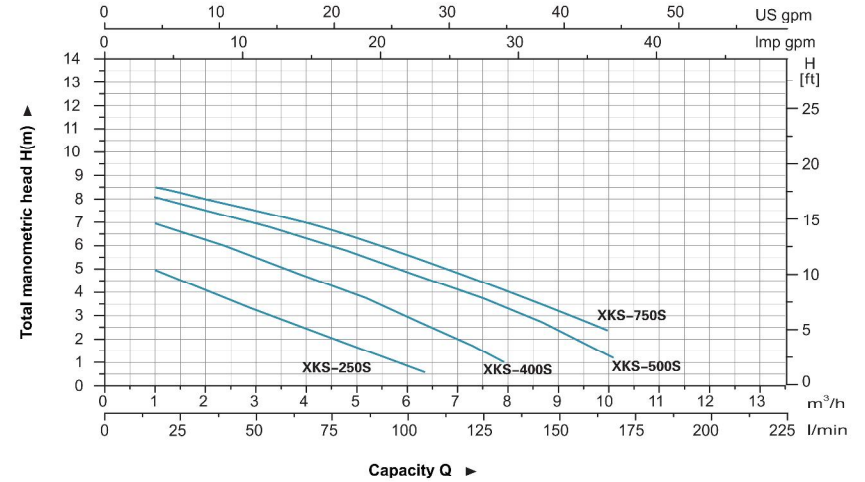
MODEL	POWER		Q (m ³ /h) Q (l/min)	H (m)							
	W	HP		2	4	6	8	10	12		
XKS-250S	250	0.3	33	4	2.5	-	-	-	-	-	
XKS-400S	400	0.5	62	6.2	4.8	3	-	-	-	-	
XKS-500S	500	0.7	75	7.5	6.3	4.8	3.3	-	-	-	
XKS-750S	750	1	8	8	7	5.7	4.2	2.3	-	-	



Dimension

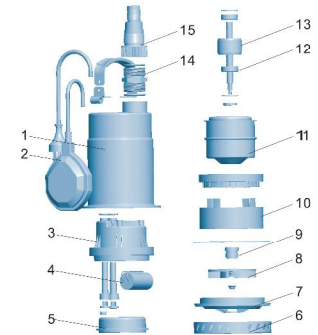
Model	DN	L (mm)	W (mm)	H (mm)
XKS-250S	32	151	151	323
XKS-400S		151	151	323
XKS-500S		151	151	331
XKS-750S		151	151	347

Hydraulic Performance Curve



Materials Table

No.	Part	Material
1	Pump cover	AISI 304
2	Float switch	
3	Upper cover	PP
4	Capacitor	
5	Upper plate	ZL102
6	Pump base	AISI 304
7	Diffuser	PP
8	Impeller	PPO
9	Mechanical seal	Carbon/ceramic
10	Pump support	ABS
11	Stator	
12	Ball bearing	
13	Rotor	
14	Connector	PP
15	Connector	PP



Package Information

Model	GW (Kgs)	L (mm)	W (mm)	H (mm)	Quantity (PCS/20 TEU)
XKS-250S	4.8	200	150	300	2632
XKS-400S	5.2	200	150	300	2632
XKS-500S	6.2	200	150	300	2632
XKS-750S	7.8	205	155	345	2160

Application

- It can be used to transfer dirty water or other liquids similar to water in physical and chemical properties. It is suitable to be immersed in water for lifting water from the well or the pool, and draining water from the basement.

Pump

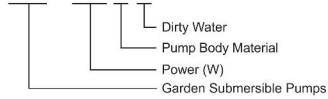
- Plastic pump body
- Max. liquid temperature: +35°C
- Float switch ensures automatic cut-in and cut-out
- Max. immersion depth: 7 m
- Max. diameter of particle: 35 mm

Motor

- Motor with aluminum winding
- Built-in thermal protector
- Insulation class: F
- Protection class: IPX8

Identification Codes

XKS - 400 P W



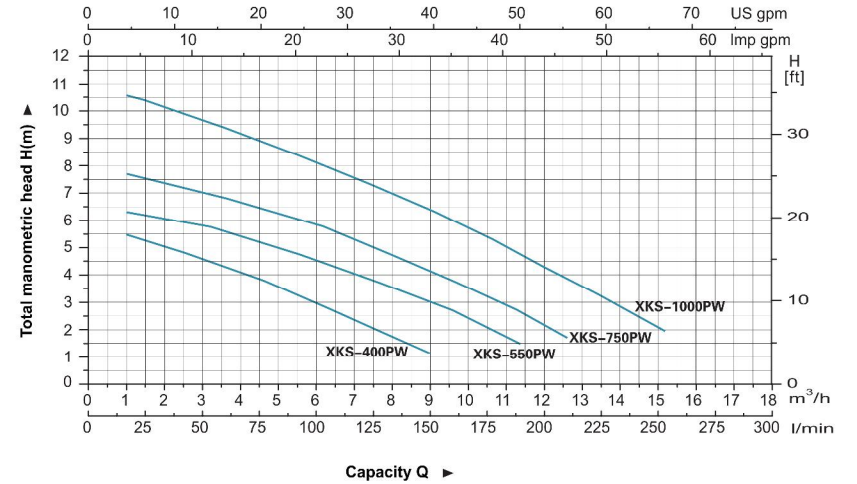
Technical Data

MODEL	POWER		Q (m ³ /h)	1.5	3	4.5	6	7.5	9	10.5	12	13.5
	W	HP		Q (l/min)	50	75	100	125	150	175	200	225
XKS-400PW	400	0.5	H (m)	5.2	4.6	3.8	3	2				
XKS-550PW	550	0.7		6.2	5.7	5.2	4.5	3.8	3	2.2		
XKS-750PW	750	1		7.5	7	6.5	5.8	5	4.1	3.2	2.2	
XKS-1000PW	1000	1.3		10.4	9.7	8.9	8.1	7.3	6.4	5.4	4.3	3.2

Dimension

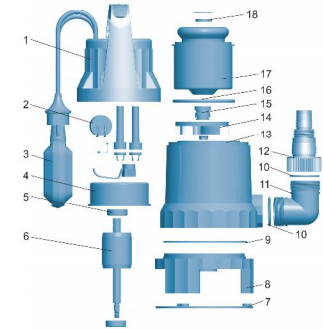
Model	DN	L (mm)	W (mm)	H (mm)
XKS-400PW	32	213	158	332
XKS-550PW	40	213	158	349
XKS-750PW		213	158	349
XKS-1000PW		217	153	376

Hydraulic Performance Curve



Materials Table

Pos.	Part	Material
1	Upper cover	PP
2	Capacitor	
3	Float switch	
4	Upper plate	ZL102
5	Ball bearing	
6	Rotor	
7	Base plate	PP
8	Pump base	PP
9	O-ring	NBR
10	O-ring	NBR
11	Connector	PP
12	Connector	PP
13	Pump body	PP
14	Impeller	PA6
16	Mechanical seal	Carbon/ceramic
17	O-ring	NBR
17	Stator	
18	Oil seal	



Package Information

Model	GW (Kgs)	L (mm)	W (mm)	H (mm)	Quantity (PCS/20 TEU)
XKS-400PW	4.8	200	150	300	2632
XKS-550PW	5.2	200	150	300	2632
XKS-750PW	6.2	200	150	300	2632
XKS-1000PW	7.8	205	155	345	2160

Application

- It can be used to transfer dirty water or other liquids similar to water in physical and chemical properties. It is suitable to be immersed in water for lifting water from the well or the pool, and draining water from the basement.

Pump

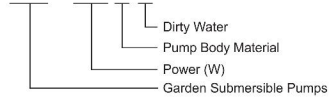
- Stainless steel pump body
- Float switch ensures automatic cut-in and cut-out
- Max. liquid temperature: +35°C
- Max. immersion depth: 7 m
- Max. diameter of particle: 35 mm

Motor

- Motor with aluminum winding
- Built-in thermal protector
- Insulation class: F
- Protection class: IPX8

Identification Codes

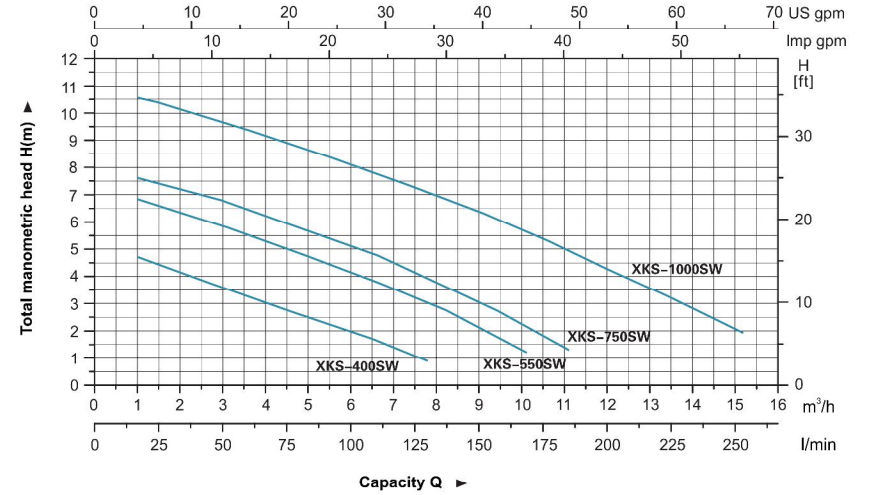
XKS - 400 S W



Technical Data

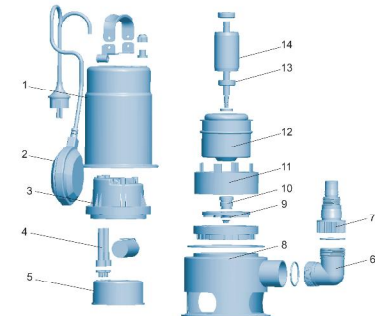
MODEL	POWER		Q (m ³ /h)	2	4	6	8	10	12
	W	HP							
XKS-400SW	400	0.5	H (m)	3.3	6.7	100	133	167	200
XKS-550SW	550	0.7		4.2	3.1	2	-	-	-
XKS-750SW	750	1		3.2	5.3	4.2	3	-	-
XKS-1000SW	1000	1.3		7.3	6.3	5.2	3.8	2.2	-
				10.2	9.2	8.1	7	5.7	4.3

Hydraulic Performance Curve



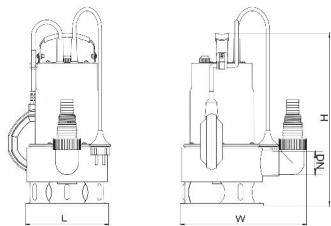
Materials Table

No.	Part	Material
1	Pump cover	AISI 304
2	Float switch	
3	Upper cover	PP
4	Capacitor	
5	Upper plate	ZL102
6	Connector	PP
7	Connector	PP
8	Pump body	AISI 304
9	Impeller	PPC
10	Mechanical seal	Carbon/ceramic
11	Pump support	ABS
12	Stator	
13	Ball bearing	
14	Rotor	



Package Information

Model	GW (Kgs)	L (mm)	W (mm)	H (mm)	Quantity (PCS/20 TEU)
XKS-400SW	5.7	210	165	350	1968
XKS-550SW	6.4	210	165	350	1968
XKS-750SW	7	210	165	350	1968
XKS-1000SW	8.6	215	170	355	1888



Dimension

Model	DN	L (mm)	W (mm)	H (mm)
XKS-400SW	40	165	248	340
XKS-550SW		165	248	340
XKS-750SW		165	248	351
XKS-1000SW		165	248	370

Application

- This pump is mainly used for use in traditional wells, water deposits and collection tanks. Also suitable for small scale irrigation systems.

Pump

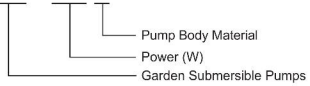
- AISI 304 pump body
- Very high head with multistage-impeller design
- Max. liquid temperature: +35°C
- Max. immersion depth: 7 m
- Max. diameter of particle: 1 mm

Motor

- Motor with aluminum winding
- Built-in thermal protector
- Insulation class: F
- Protection class: IPX8

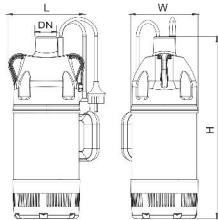
Identification Codes

XKS - 900 S



Technical Data

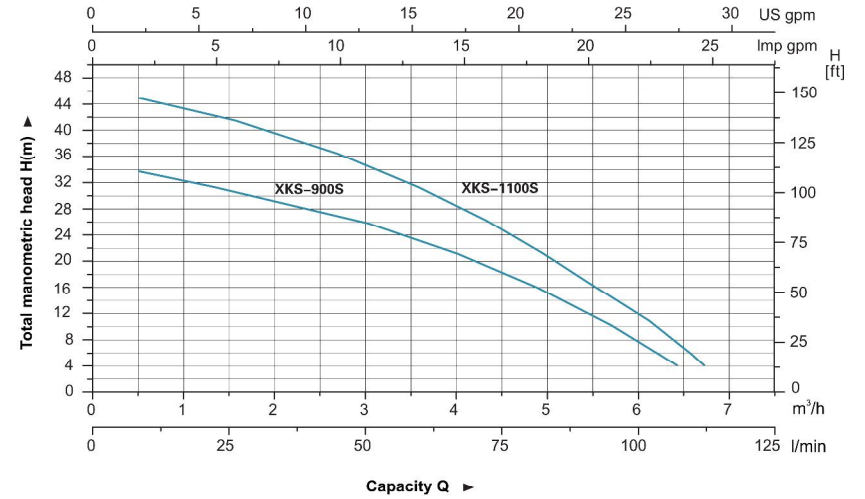
MODEL	POWER (P ₂)		Q (m ³ /h)	Q (l/min)												
	W	HP		0.5	1	1.5	2	2.5	3	3.5	4	4.5	5	5.5	6	6.5
XKS-900S	900	1.2	H	34	32	31	29	27.5	266	23.5	21	18	15	12	8	3.5
XKS-1100S	1100	1.5	H	45	43	42	39	37	35	32	29	25	21	16.1	12	7



Dimension

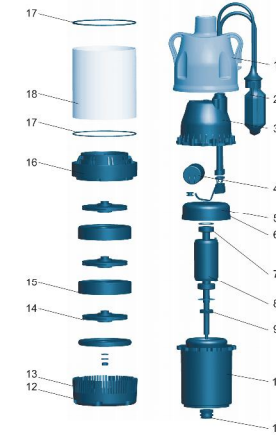
Model	DN	L (mm)	W (mm)	H (mm)
XKS-900S	25	170	150	404
XKS-1100S	25	170	150	428

Hydraulic Performance Curve



Materials Table

No.	Part	Material
1	Pump cover	PP
2	Float switch	
3	Cover	PP
4	Capacitor	
5	Upper plate	ZL102
6	O-ring	NBR
7	Bearing	
8	Rotor	
9	Oil seal	
10	Stator	
11	Mechanical seal	Carbon/ceramic
12	Base	PA66
13	Filter screen	AISI 304
14	Impeller	PPO
15	Discharge cover	PPO
16	Diffuser	PPO
17	Seal ring	NBR
18	Pump body	AISI 304



Package Information

Model	GW (Kgs)	L (mm)	W (mm)	H (mm)	Quantity (PCS/20 TEU)
XKS-900S	9.9	245	190	455	1380
XKS-1100S	11	245	190	480	1104

Application

- It can be used to transfer clean water or other liquids similar to water in physical and chemical properties.
- It is suitable for water supply and drainage in garden irrigation, greenhouses, fish breeding and poultry raising. The pump also can be used for domestic automatic water supply places, such as lifting water from a deep well, pressure boosting of running water, etc.

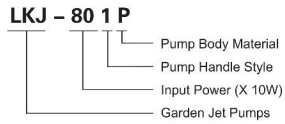
Pump

- Unique ergonomic design
- Max. fluid temperature: +35°C
- Max. suction: +8 m

Motor

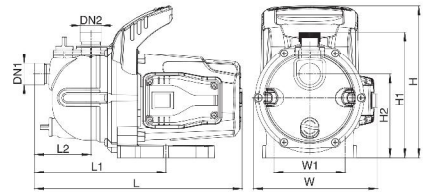
- C&U bearing
- Built-in thermal protector
- Aluminum winding
- Insulation class: F
- Protection class: IPX4
- Max. ambient temperature: +40°C

Identification Codes



Technical Data

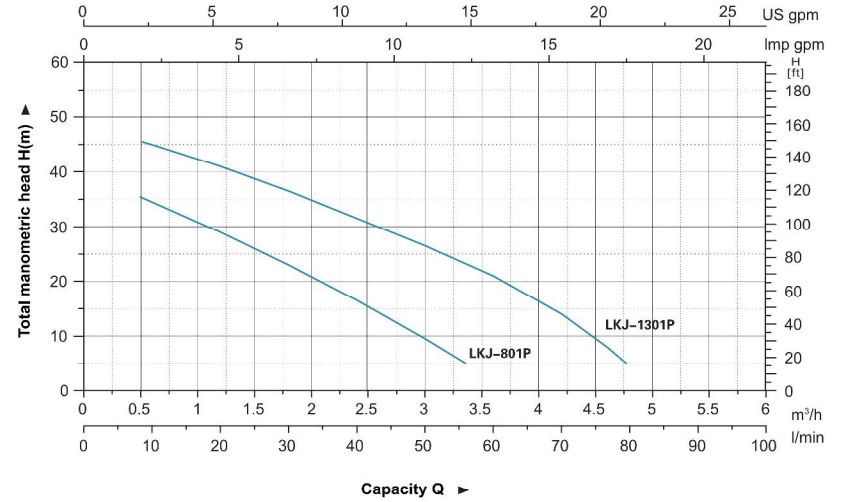
MODEL	POWER (P ₂)		Q (m ³ /h)												
	W	HP	0	0.6	1.2	1.8	2.4	3	3.6	4.2	4.8	5.4	6		
LKJ-801P	800	1	H (m)												
LKJ-1301P	1300	1.75	0.9	34.5	29	23	16.5	9.5	-	-	-	-	-		
			48	45	41	36.5	31.5	26.5	21	14	8	-	-		



Dimension

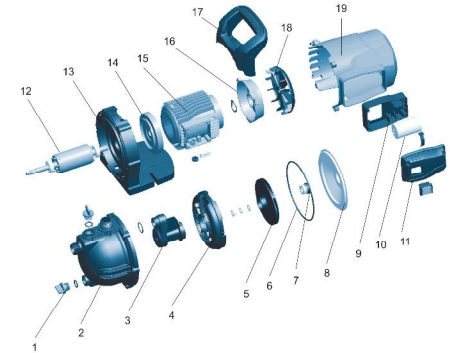
Model	DN1	DN2	L (mm)	W (mm)	H (mm)	L1 (mm)	L2 (mm)	W1 (mm)	H1 (mm)	H2 (mm)
LKJ-801P	1"	1"	350	210	255.5	221.5	94.5	120	211	140.5
LKJ-1301P			380.5	243.5	284	233.5	106.5	120	231.5	165

Hydraulic Performance Curve



Materials Table

No.	Part	Material
1	Drain plug	PP
2	Pump body	PP
3	Injector	PPO
4	Diffuser	PPO
5	Impeller	PPO
6	O-ring	NBR
7	Mechanical seal	Carbon/ceramic
8	Bracket cover	AlSi 304
9	Terminal board	ABS
10	Capacitor	
11	Switch cover	ABS
12	Rotor	
13	Motor flange	PP
14	Front plate	ZL102
15	Stator	
16	End plate	ZL102
17	Handle	PP
18	Fan	PP
19	Fan cover	ABS



Package Information

Model	GW (Kgs)	L (mm)	W (mm)	H (mm)	Quantity		
					20'/pc	40'/pc	40H'/pc
LKJ-801P	7.5	375	230	280	1232	2512	2826
LKJ-1301P	10.2	395	260	305	868	1778	2032

Application

- It can be used to transfer clean water or other liquids similar to water in physical and chemical properties.
- It is suitable for water supply and drainage in garden irrigation, greenhouses, fish breeding and poultry raising. The pump also can be used for domestic automatic water supply places, such as lifting water from a deep well, pressure boosting of running water, etc.

Pump

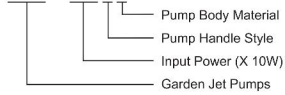
- Unique ergonomic design
- Max. fluid temperature: +35°C
- Max. suction: +8 m

Motor

- C&U bearing
- Built-in thermal protector
- Aluminum winding
- Insulation class: F
- Protection class: IPX4
- Max. ambient temperature: +40°C

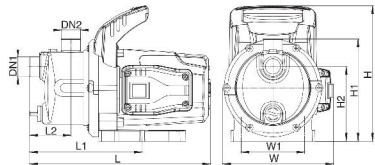
Identification Codes

LKJ - 80 1 S



Technical Data

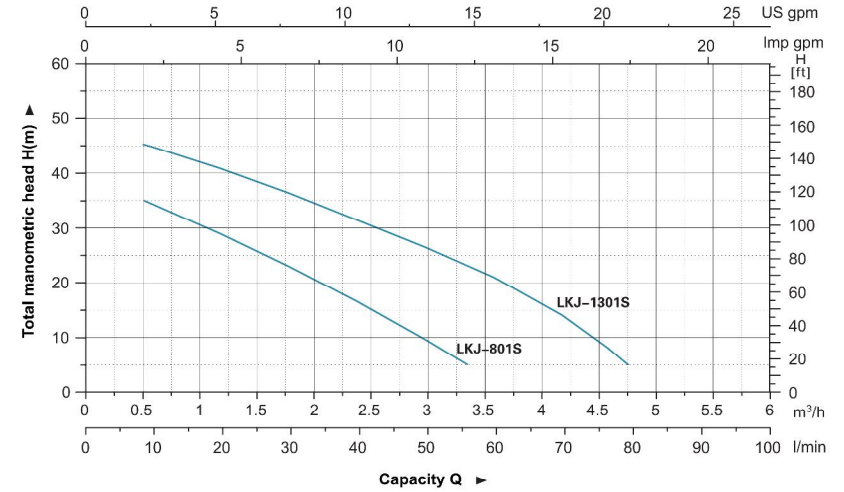
MODEL	POWER (P ₂)		Q (m ³ /h)	Q (l/min)											
	W	HP		0	0.6	1.2	1.8	2.4	3	3.6	4.2	4.8	5.4	6	
LKJ-801S	800	1	H (m)	39	34.5	29	23	16.5	9.5	-	-	-	-	-	
LKJ-1301S	1300	1.75	H (m)	48	45	41	36.5	31.5	26.5	21	14	8	-	-	



Dimension

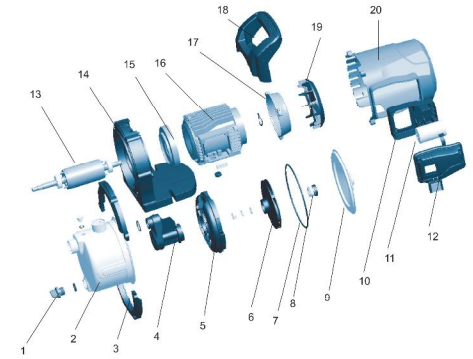
Model	DN1	DN2	L (mm)	W (mm)	H (mm)	L1 (mm)	L2 (mm)	W1 (mm)	H1 (mm)	H2 (mm)
LKJ-801S	1"	1"	342.5	210	255.5	213.5	78.5	120	193.5	140.5
LKJ-1301S	1"	1"	369.5	243.5	284	222.5	87.5	120	215	165

Hydraulic Performance Curve



Materials Table

No.	Part	Material
1	Drain plug	PP
2	Pump body	AlSI 304
3	Holder	PP
4	Injector	PPC
5	Diffuser	PPC
6	Impeller	PPC
7	O-ring	NBR
8	Mechanical seal	Carbon/ceramic
9	Bracket cover	AlSI 304
10	Terminal board	ABS
11	Capacitor	
12	Switch cover	ABS
13	Rotor	
14	Motor flange	PP
15	Front plate	ZL102
16	Stator	
17	End plate	ZL102
18	Handle	PP
19	Fan	PP
20	Fan cover	ABS



Package Information

Model	CW (Kgs)	L (mm)	W (mm)	H (mm)	Quantity		
					20'/pcs	40'/pcs	40H'/pcs
LKJ-801S	7.7	375	230	280	1232	2512	2826
LKJ-1301S	10.6	395	260	305	868	1778	2032

Application

- It can be used to transfer clean water or other liquids similar to water in physical and chemical properties.
- It enables fully automatic water supply in house and garden.

Pump

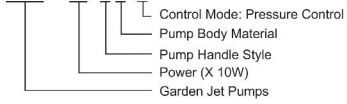
- Unique ergonomic design
- Max. fluid temperature: +35°C
- Max. suction: +8 m

Motor

- C&U bearing
- Built-in thermal protector
- Aluminum winding
- Insulation class: F
- Protection class: IPX4
- Max. ambient temperature: +40°C

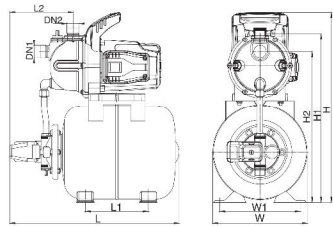
Identification Codes

LKJ - 80 1 P A



Technical Data

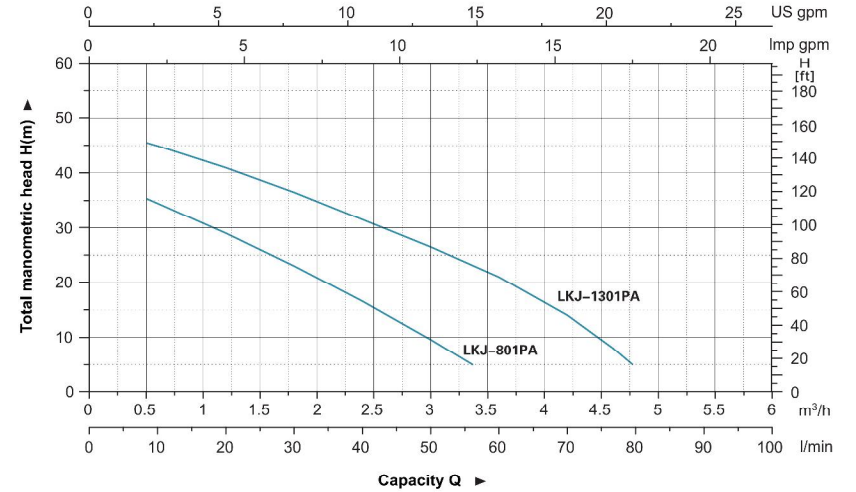
MODEL	POWER (P ₂)		Q (m ³ /h)											
	W	HP	0	0.6	1.2	1.8	2.4	3	3.6	4.2	4.8	5.4	6	
LKJ-801PA	800	1	H (m)											
LKJ-1301PA	1300	1.75	39	34.5	29	23	16.5	9.5	-	-	-	-	-	
			48	45	41	36.5	31.5	26.5	21	14	8	-	-	



Dimension

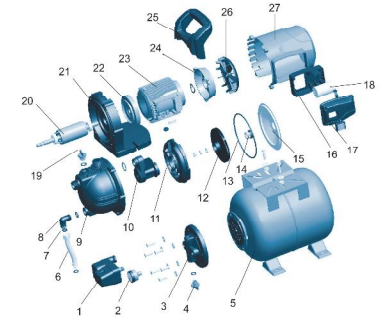
Model	DN1	DN2	L (mm)	W (mm)	H (mm)	L1 (mm)	L2 (mm)	W1 (mm)	H1 (mm)	H2 (mm)
LKJ-801PA	1"	1"	488	275	588	183	186	233	506	435.5
LKJ-1301PA			488	275	588	183	186	233	526.5	460

Hydraulic Performance Curve



Materials Table

No.	Part	Material	No.	Part	Material
1	Pressure switch		14	Mechanical seal	Carbon/ceramic
2	Pressure gauge		15	Bracket cover	AISI 304
3	Tank cover	PAS	16	Terminal board	ABS
4	Drain plug	PP	17	Switch cover	ABS
5	Tank	GBF	18	Capacitor	
6	Flexible hose		19	Plug	PP
7	Seal washer	NBR	20	Rotor	
8	Elbow connector	ABS	21	Motor flange	PP
9	Pump body	PP	22	Front plate	ZL102
10	Injector	PPO	23	Stator	
11	Diffuser	PPO	24	End plate	
12	Impeller	PPO	25	Handle	PP
13	O-ring	NBR	26	Fan	PP
			27	Motor cover	ABS



Package Information

Model	GW (Kgs)	L (mm)	W (mm)	H (mm)	Quantity		
					20'/pcs	40'/pcs	40H'/pcs
LKJ-801PA	14.1	535	295	570	327	684	780
LKJ-1301PA	16.4	535	295	600	249	516	688

Application

- It can be used to transfer clean water or other liquids similar to water in physical and chemical properties. It enables fully automatic water supply in house and garden.

Pump

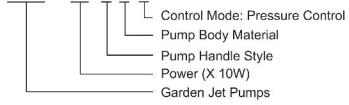
- Unique ergonomic design
- Max. fluid temperature: +35°C
- Max. suction: +8 m

Motor

- C&U bearing
- Built-in thermal protector
- Aluminum winding
- Insulation class: F
- Protection class: IPX4
- Max. ambient temperature: +40°C

Identification Codes

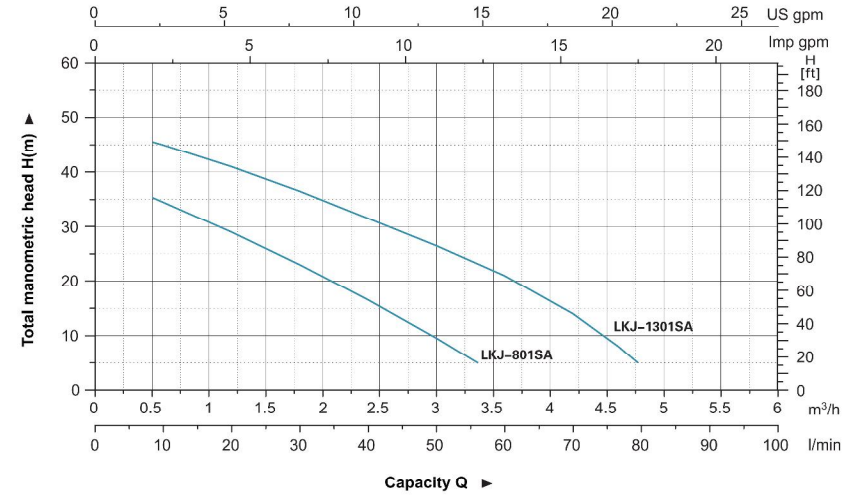
LKJ - 80 1 S A



Technical Data

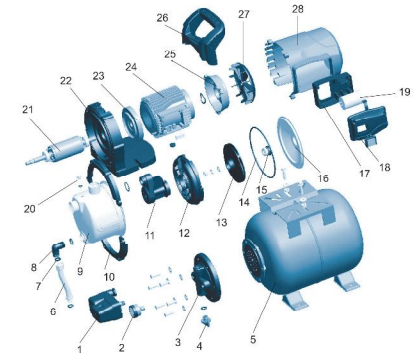
MODEL	POWER (P ₂)		Q (m ³ /h)	Q (l/min)											
	W	HP		0	0.6	1.2	1.8	2.4	3	3.6	4.2	4.8	5.4	6	
LKJ-801SA	800	1	H (m)	39	34.5	29	23	16.5	9.5	-	-	-	-	-	-
LKJ-1301SA	1300	1.75		48	45	41	36.5	31.5	26.5	21	14	8	-	-	-

Hydraulic Performance Curve



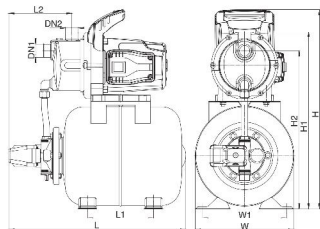
Materials Table

No.	Part	Material	No.	Part	Material
1	Pressure switch		15	Mechanical seal	Carbon/ceramic
2	Pressure gauge		16	Bracket cover	AISI 304
3	Tank cover	PA6	17	Terminal board	ABS
4	Drain plug	PP	18	Switch cover	ABS
5	Tank	Ø8F	19	Capacitor	
6	Flexible hose		20	Plug	PP
7	Seal washer	NBR	21	Rotor	
8	Elbow connector	ABS	22	Motor flange	PP
9	Pump body	AISI 304	23	Front plate	ZL102
10	Frisket	PP	24	Stator	
11	Injector	PPO	25	End plate	
12	Diffuser	PPO	26	Handle	PP
13	Impeller	PPO	27	Fan	PP
14	O-ring	NBR	28	Motor cover	ABS



Package Information

Model	GW (Kgs)	L (mm)	W (mm)	H (mm)	Quantity		
					20'/pcs	40'/pcs	40H'/pcs
LKJ-801SA	14.3	535	295	570	327	684	780
LKJ-1301SA	16.6	560	295	600	234	492	656



Dimension

Model	DN1	DN2	L (mm)	W (mm)	H (mm)	L1 (mm)	L2 (mm)	W1 (mm)	H1 (mm)	H2 (mm)
LKJ-801SA	1"	1"	488	275	588	183	186	233	506	435.5
LKJ-1301SA	1"	1"	488	275	588	183	186	233	526.5	460

XKJ

Garden Jet Pumps

Application

- It can be used to transfer clean water or other liquids similar to water in physical and chemical properties.
- It enables fully automatic water supply in house and garden.

Pump

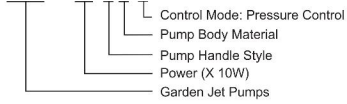
- Unique ergonomic design
- Max. fluid temperature: +35°C
- Max. suction: +8 m

Motor

- C&U bearing
- Built-in thermal protector
- Aluminum winding
- Insulation class: F
- Protection class: IPX4
- Max. ambient temperature: +40°C

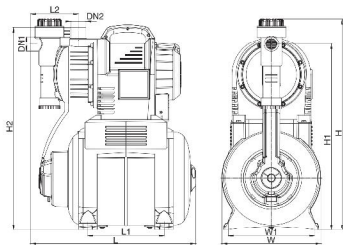
Identification Codes

XKJ - 90 9 P A



Technical Data

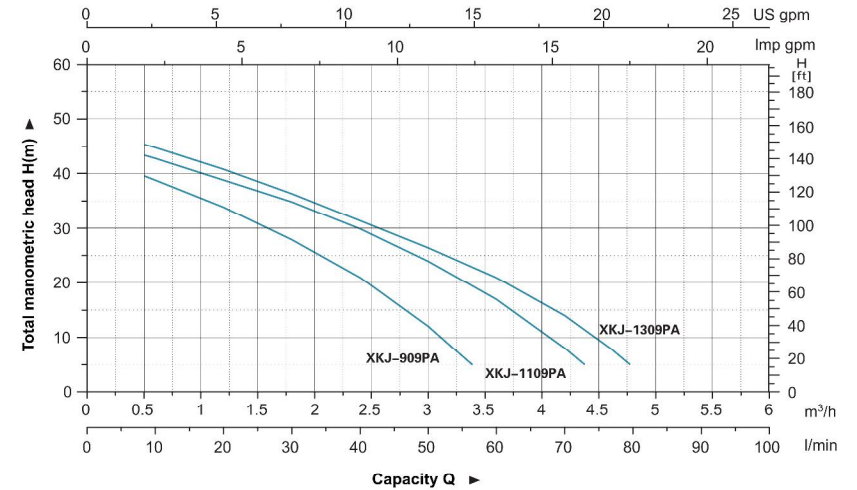
MODEL	POWER (P ₂)		Q (m ³ /h)											
	W	HP	0	0.6	1.2	1.8	2.4	3	3.6	4.2	4.8	5.4	6	
XKJ-909PA	900	1.2	43	39	34	28	21	12	-	-	-	-	-	
XKJ-1109PA	1100	1.5	46	43	39	35	30	24	17	8	-	-	-	
XKJ-1309PA	1300	1.75	48	45	41	36.5	31.5	26.5	21	14	8	-	-	



Dimension

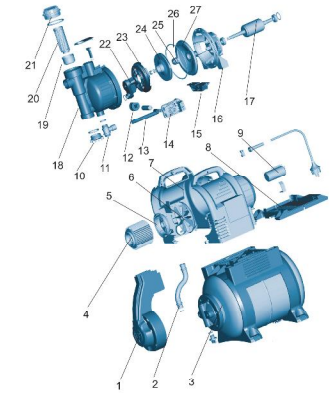
Model	DN1	DN2	L (mm)	W (mm)	H (mm)	L1 (mm)	L2 (mm)	W1 (mm)	H1 (mm)	H2 (mm)
XKJ-909PA										
XKJ-1109PA	1"	1"	485.0	290	620	225	140	254	545	585
XKJ-1309PA										

Hydraulic Performance Curve



Materials Table

No.	Part	Material	No.	Part	Material
1	Cover	PP	14	Pressure switch	
2	Flexible hose	PP	15	Pipe clip	PP
3	Tank	ØBF	16	Motor flange	ZL102
4	Stator		17	Rotor	
5	End plate	ZL102	18	Pump body	PP
6	Fan	PP	19	Filler cover	PP
7	Cover shell	PP	20	Filter	PP
8	Connection base	PP	21	Pump esp	PC
9	Capacitor		22	Injector	PPO
10	Drain plug	PP	23	Diffuser	PPO
11	3-way	PP	24	Impeller	PPO
12	Pressure gauge		25	Mechanical seal	Carbon/ceramic
13	Connection pipe	PP	26	O-ring	NBR
			27	Bracket cover	AISI 304



Package Information

Model	GW (Kgs)	L (mm)	W (mm)	H (mm)	Quantity		
					20'/pcs	40'/pcs	40H'/pcs
LKJ-909PA	18.4	515	320	655	234	468	624
LKJ-1109PA	19.3						
LKJ-1309PA	19.6						

Application

- Wastewater drainage in factories, construction sites and commercial facilities
- Drainage system in municipal sewage treatment plants
- Drainage station in residential quarters
- Municipal projects
- Methane pools and field irrigation in countryside

Pump

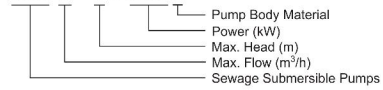
- Max. immersion depth: 5 m
- Max. liquid temperature: +40°C
- Liquid pH value: 4 – 10
- Liquid kinematic viscosity: $7 \times 10^{-7} - 23 \times 10^{-6} \text{ m}^2/\text{s}$
- Max. liquid density: $1.2 \times 10^{-3} \text{ kg/m}^3$

Motor

- Copper winding
- Built-in thermal protector
- Stainless steel welded shaft
- Insulation class: B
- Protection class: IP68

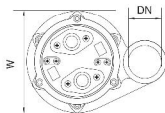
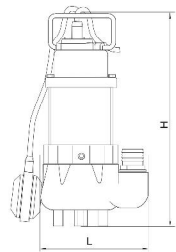
Identification Codes

XSP 8 - 7 / 0.18 I



Technical Data

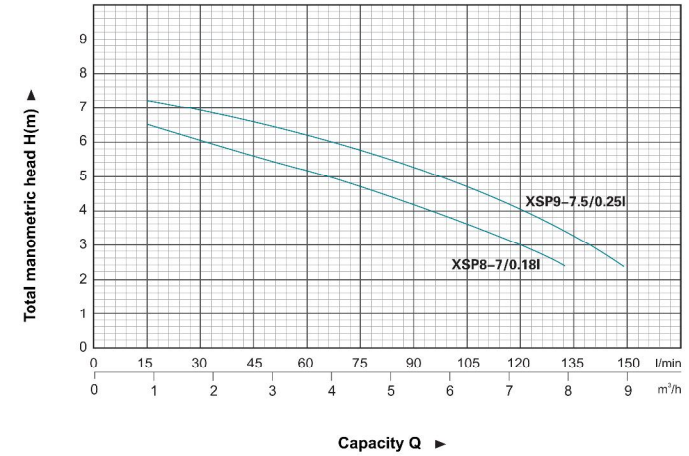
Model	Power		Outlet diameter (mm)	Voltage (V/Hz)	Max. flow (m)	Max. head (m)	Max. dia. of particle (mm)	GW (kgs)	Packing dimension (cm)
	(kW)	HP							
XSP8-7/0.18I	0.18	0.25	40,32,25	220/50	133	7	15	9.0	18.5x18x36
XSP9-7.5/0.25I	0.25	0.33	40,32,25	220/50	150	7.5	15	9.5	18.5x18x38



Dimension

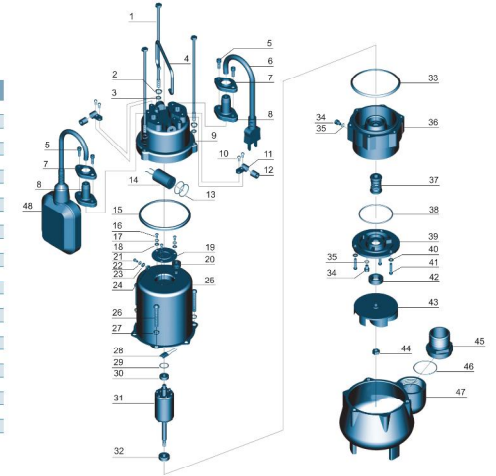
Model	DN	L (mm)	W (mm)	H (mm)
XSP8-7/0.18I	40	166	121	335
XSP9-7.5/0.25I	40	166	121	355

Hydraulic Performance Curve



Materials Table

No.	Part	Material	No.	Part	Material
1	Bolt	Stainless steel	25	Stator	NBR
2	Stretching washer	Stainless steel	26	Screw	Stainless steel
3	Washer	Stainless steel	27	Stretching washer	Stainless steel
4	Handle	Stainless steel	28	Thermal protector	NBR
5	Screw	Stainless steel	29	Wave washer	65Mn
6	Cable	Stainless steel	30	Ball bearing	
7	Flange	Stainless steel	31	Rotor	
8	Cable protector	CR	32	Ball bearing	
9	Capacitor cover	HT200	33	Rubber washer	NBR
10	Screw	Stainless steel	34	Screw	Stainless steel
11	Cable presser	Stainless steel	35	O-ring	NBR
12	Protector	NBR	36	Connection part	HT200
13	O-ring	NBR	37	Mechanical seal	Carbon/ceramic
14	Capacitor		38	O-ring	NBR
15	Rubber washer	NBR	39	Oil chamber cover	HT200
16	Screw	Steel	40	Washer	Stainless steel
17	Stretching washer	65Mn	41	Screw	Stainless steel
18	Washer	Steel	42	Oil seal	
19	Press plate	Steel	43	Impeller	PA66
20	Cable holder	NBR	44	Nut	Stainless steel
21	Screw	CuZn40	45	Connector	ABS
22	Stretching washer	65Mn	46	O-ring	NBR
23	Washer	CuZn40	47	Pump body	HT200
24	Nut	Stainless steel	48	Float switch	



Application

- Wastewater drainage in factories, construction sites and commercial facilities
- Drainage system in municipal sewage treatment plants
- Drainage station in residential quarters
- Municipal projects
- Methane pools and field irrigation in countryside

Pump

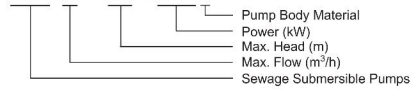
- Max. immersion depth: 5 m
- Max. liquid temperature: +40°C
- Liquid pH value: 4 – 10
- Liquid kinematic viscosity: $7 \times 10^{-7} \sim 23 \times 10^{-6} \text{ m}^2/\text{s}$
- Max. liquid density: $1.2 \times 10^{-3} \text{ kg/m}^3$

Motor

- Copper winding
- Built-in thermal protector
- Stainless steel welded shaft
- Insulation class: B
- Protection class: IP68

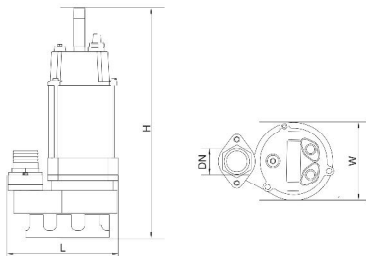
Identification Codes

XSP 12 – 8.5 / 0.45 I



Technical Data

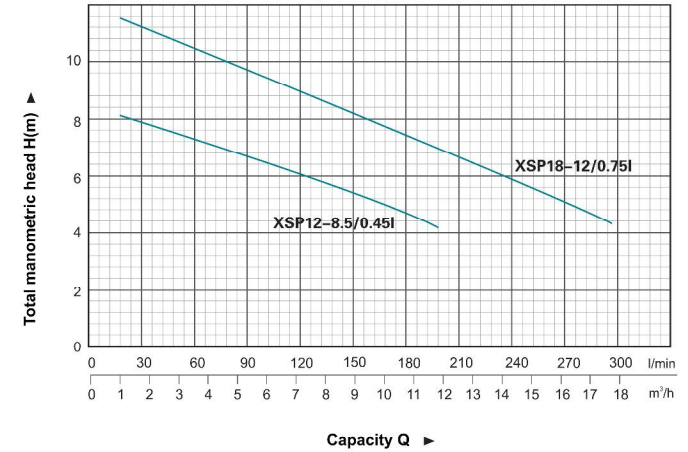
Model	Power		Outlet diameter (mm)	Voltage (V/Hz)	Max. flow (m)	Max. head (m)	Max. dia. of particle (mm)	GW (kgs)	Packing dimension (cm)
	(kW)	HP							
XSP12-8.5/0.45I	0.45	0.6	50	220/50	200	8.5	25	18	25.5x19.5x49.5
XSP18-12/0.75I	0.75	1.0	50	220/50	300	12	25	22	25.5x19.5x53.5



Dimension

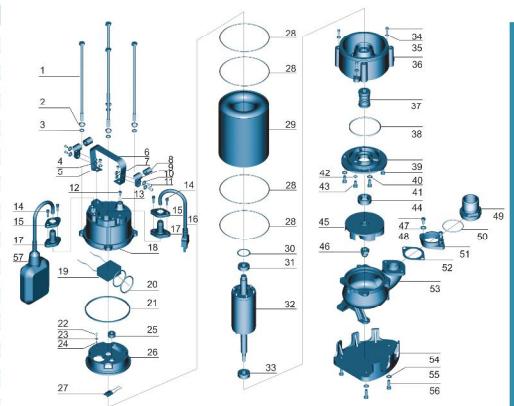
Model	DN	L (mm)	W (mm)	H (mm)
XSP12-8.5/0.45I	50	225	150	450
XSP18-12/0.75I	50	226	159	500

Hydraulic Performance Curve



Materials Table

No.	Part	Material	No.	Part	Material
1	Bolt	Stainless steel	30	Wave washer	65Mn
2	Stretching washer	Stainless steel	31	Ball bearing	
3	Washer	Stainless steel	32	Rotor	
4	Bolt	Stainless steel	33	Ball bearing	
5	Washer	Stainless steel	34	Screw	Stainless steel
6	Handle	Stainless steel	35	Washer	Stainless steel
7	Nut	Stainless steel	36	Connector part	HT200
8	Protector	NBR	37	Mechanical seal	Carbon/ceramic
9	Cable presser	Stainless steel	38	O-ring	NBR
10	Washer	Stainless steel	39	Oil chamber cover	HT200
11	Screw	Stainless steel	40	Screw	Stainless steel
12	Bolt	Stainless steel	41	Washer	Stainless steel
13	O-ring	NBR	42	O-ring	NBR
14	Screw	Stainless steel	43	Screw	Stainless steel
15	Flange	Stainless steel	44	Oil seal	
16	Cable		45	Impeller	HT200
17	Cable protector	CR	46	Nut	Stainless steel
18	Capacitor cover	HT200	47	Bolt	Stainless steel
19	Capacitor		48	Washer	Stainless steel
20	O-ring	NBR	49	Connector	ABS
21	Rubber washer	NBR	50	O-ring	NBR
22	Screw	CuZn40	51	Connector nut	HT200
23	Stretching washer	65Mn	52	Rubber washer	NBR
24	Washer	CuZn40	53	Pump body	HT200
25	Cable holder	NBR	54	Base plate	HT200
26	Motor cover	HT200	55	Washer	Stainless steel
27	Thermal protector		56	Screw	Stainless steel
28	O-ring	NBR	57	Float switch	
29	Capacitor				



XSP

Sewage Submersible Pumps



Application

- Wastewater drainage in factories, construction sites and commercial facilities
- Drainage system in municipal sewage treatment plants
- Drainage station in residential quarters
- Municipal projects
- Methane pools and field irrigation in countryside

Pump

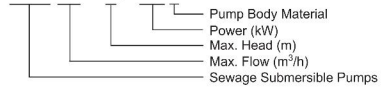
- Max. immersion depth: 5 m
- Max. liquid temperature: +40°C
- Liquid pH value: 4 – 10
- Liquid kinematic viscosity: $7 \times 10^{-7} \sim 23 \times 10^{-6} \text{ m}^2/\text{s}$
- Max. liquid density: $1.2 \times 10^{-3} \text{ kg/m}^3$

Motor

- Copper winding
- Built-in thermal protector
- Stainless steel welded shaft
- Insulation class: B
- Protection class: IP68

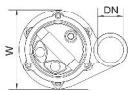
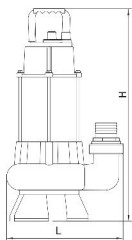
Identification Codes

XSP 20 - 9 / 1.1 I



Technical Data

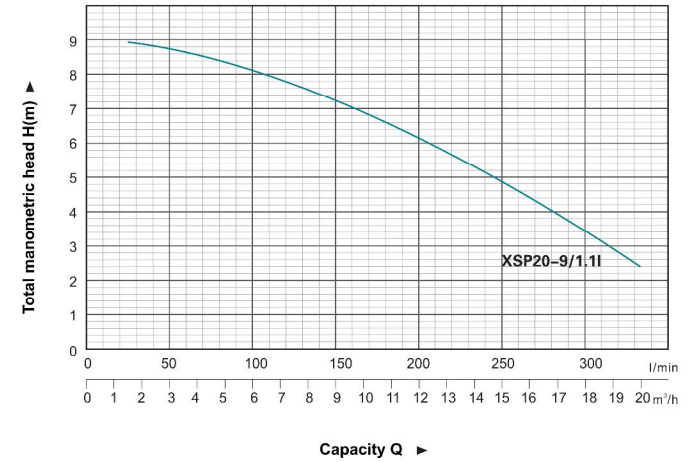
Model	Power		Outlet diameter (mm)	Voltage (V/Hz)	Max. flow (m)	Max. head (m)	Max. dia. of particle (mm)	GW (kgs)	Packing dimension (cm)
	(kW)	HP							
XSP20-9/1.1I	1.1	1.5	50	220/50	333	9	35	23.5	27.5x22.5x55.5



Dimension

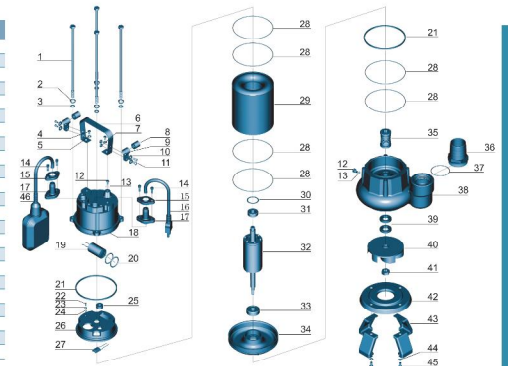
Model	DN	L (mm)	W (mm)	H (mm)
XSP20-9/1.1I	50	280	200	530

Hydraulic Performance Curve



Materials Table

No.	Part	Material	No.	Part	Material
1	Bolt	Stainless steel	24	Washer	CuZn40
2	Stretching washer	Stainless steel	25	Cable holder	NBR
3	Washer	Stainless steel	26	Upper cover	HT200
4	Bolt	Stainless steel	27	Thermal protector	
5	Washer	Stainless steel	28	O-ring	NBR
6	Handle	Stainless steel	29	Stator	
7	Nut	Stainless steel	30	Wave washer	65Mn
8	Protector	NR	31	Ball bearing	
9	Cable presser	Stainless steel	32	Rotor	
10	Washer	Stainless steel	33	Ball bearing	
11	Screw	Stainless steel	34	Lower cover	HT200
12	Bolt	Stainless steel	35	Mechanical seal	Carbon/ceramic
13	O-ring	NBR	36	Connector	ABS
14	Screw	Stainless steel	37	O-ring	NBR
15	Flange	Stainless steel	38	Pump body	HT200
16	Cable		39	Oil seal	
17	Cable protector	CR	40	Impeller	HT200
18	Capacitor cover	HT200	41	Nut	Stainless steel
19	Capacitor	Stainless steel	42	Pump cover	Stainless steel
20	O-ring	NBR	43	Base plate	Stainless steel
21	Rubber washer	NBR	44	Washer	Stainless steel
22	Screw	CuZn40	45	Bolt	Stainless steel
23	Stretching washer	65Mn	46	Float switch	



XSP

Sewage Submersible Pumps



Application

- Wastewater drainage in factories, construction sites and commercial facilities
- Drainage system in municipal sewage treatment plants
- Drainage station in residential quarters
- Municipal projects
- Methane pools and field irrigation in countryside

Pump

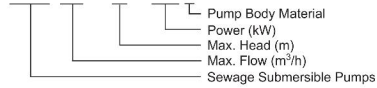
- Max. immersion depth: 5 m
- Max. liquid temperature: +40°C
- Liquid pH value: 4 – 10
- Liquid kinematic viscosity: $7 \times 10^{-7} - 23 \times 10^{-6} \text{ m}^2/\text{s}$
- Max. liquid density: $1.2 \times 10^{-3} \text{ kg/m}^3$

Motor

- Copper winding
- Built-in thermal protector
- Stainless steel welded shaft
- Insulation class: B
- Protection class: IP68

Identification Codes

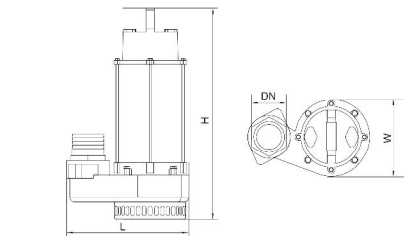
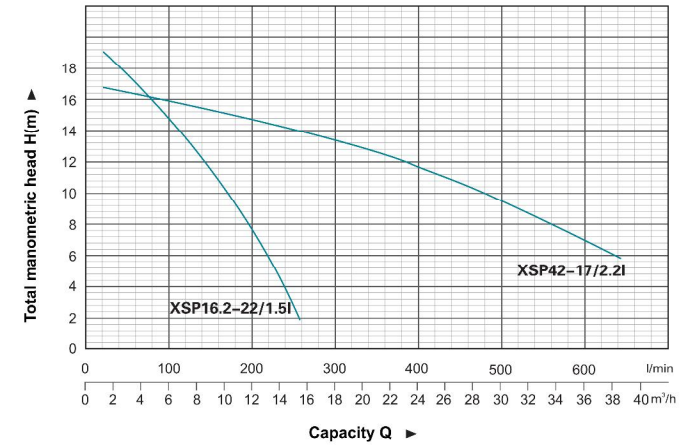
XSP 42 - 17 / 2.2 I



Technical Data

Model	Power		Outlet diameter (mm)	Voltage (V/Hz)	Max. flow (m)	Max. head (m)	Max. dia. of particle (mm)	GW (kgs)	Packing dimension (cm)
	(kW)	HP							
XSP16.2-22/1.5I	1.5	2.0	40	220/50	270	22	10	27	58.5x35x24.5
XSP42-17/2.2I	2.2	3.0	75	220/50	700	17	20	35	58.5x35x24.5

Hydraulic Performance Curve

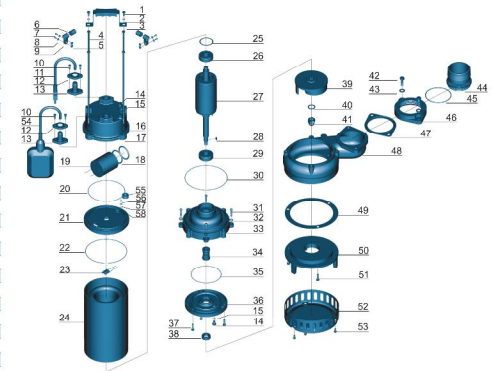


Dimension

Model	DN	L (mm)	W (mm)	H (mm)
XSP16.2-22/1.5I	50	308	198	530
XSP42-17/2.2I	75	302	190	535

Materials Table

No.	Part	Material	No.	Part	Material
1	Bolt	Stainless steel	30	O-ring	NBR
2	Washer	Stainless steel	31	Screw	Stainless steel
3	Handle	Stainless steel	32	Stretching washer	Stainless steel
4	Bolt	Stainless steel	33	Connection part	HT200
5	Nut	Stainless steel	34	Mechanical seal	Carbon/ceramic
6	Protector	NR	35	O-ring	NBR
7	Screw	Stainless steel	36	Oil chamber cover	HT200
8	Washer	Stainless steel	37	Bolt	Stainless steel
9	Cable presser	Stainless steel	38	Oil seal	HT200
10	Screw	Stainless steel	39	Impeller	HT200
11	Cable	Stainless steel	40	Washer	Stainless steel
12	Flange	Stainless steel	41	Nut	Stainless steel
13	Cable protector	CR	42	Bolt	Stainless steel
14	Bolt	Stainless steel	43	Washer	Stainless steel
15	O-ring	NBR	44	Connector	ABS
16	Stretching washer	Stainless steel	45	O-ring	NBR
17	Capacitor cover	HT200	46	Connector nut	HT200
18	O-ring	NBR	47	Rubber washer	NBR
19	Capacitor	NBR	48	Pump body	HT200
20	O-ring	NBR	49	Rubber washer	NBR
21	Motor cover	HT200	50	Pump cover	HT200
22	O-ring	NBR	51	Bolt	Stainless steel
23	Thermal protector	52	Filter mesh	Stainless steel	
24	Stator	Stainless steel	53	Screw	Stainless steel
25	Wave washer	65Mn	54	Flux switch	NBR
26	Ball bearing	55	Cable holder	NBR	
27	Rotor	56	Screw	CuZn40	
28	Key	Steel	57	Stretching washer	65Mn
29	Ball bearing	58	Washer	CuZn40	



Application

- Wastewater drainage in factories, construction sites and commercial facilities
- Drainage system in municipal sewage treatment plants
- Drainage station in residential quarters
- Municipal projects
- Methane pools and field irrigation in countryside

Pump

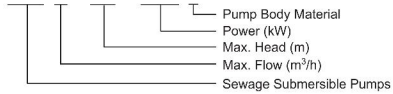
- Max. immersion depth: 5 m
- Max. liquid temperature: +40°C
- Liquid pH value: 4 – 10
- Liquid kinematic viscosity: $7 \times 10^{-7} - 23 \times 10^{-6} \text{ m}^2/\text{s}$
- Max. liquid density: $1.2 \times 10^{-3} \text{ kg/m}^3$

Motor

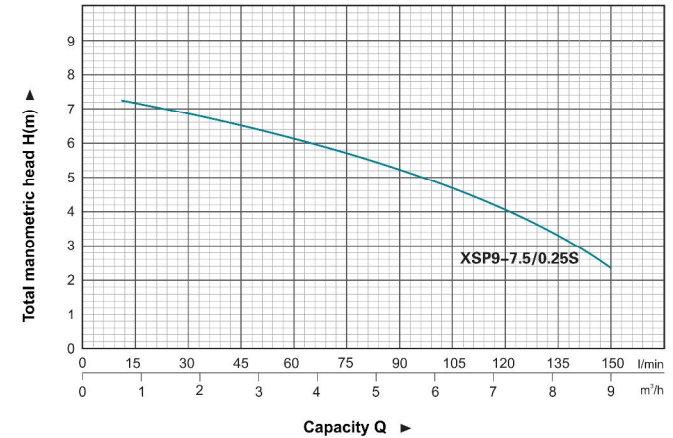
- Copper winding
- Built-in thermal protector
- Stainless steel welded shaft
- Insulation class: B
- Protection class: IP68

Identification Codes

XSP 9 – 7.5 / 0.25 S

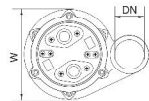
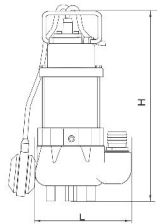


Hydraulic Performance Curve



Technical Data

Model	Power		Outlet diameter (mm)	Voltage (V/Hz)	Max. flow (m)	Max. head (m)	Max. dia. of particle (mm)	GW (kgs)	Packing dimension (cm)
	(kW)	HP							
XSP9-7.5/0.25S	0.25	0.33	40,32,25	220/50	150	7.5	15	10.5	18.5x16x38

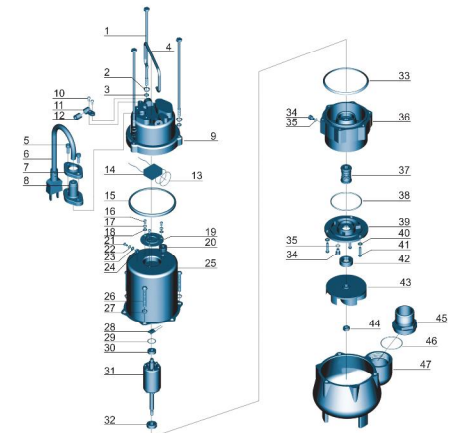


Dimension

Model	DN	L (mm)	W (mm)	H (mm)
XSP9-7.5/0.25S	40	165	120	360

Materials Table

No.	Part	Material	No.	Part	Material
1	Bolt	Stainless steel	25	Stator	Stainless steel
2	Stretching washer	Stainless steel	26	Screw	Stainless steel
3	Washer	Stainless steel	27	Stretching washer	Stainless steel
4	Handle	Stainless steel	28	Thermal protector	Stainless steel
5	Screw	Stainless steel	29	Wave washer	65Mn
6	Cable		30	Ball bearing	
7	Flange	Stainless steel	31	Rotor	
8	Cable protector	CR	32	Ball bearing	
9	Capacitor cover	Stainless steel	33	Rubber washer	FKM
10	Screw	Stainless steel	34	Screw	Stainless steel
11	Cable presser	Stainless steel	35	O-ring	FKM
12	Protector	FKM	36	Connection part	Stainless steel
13	O-ring	NBR	37	Mechanical seal	Carbon/ceramic
14	Capacitor		38	O-ring	FKM
15	Rubber washer	FKM	39	Oil chamber cover	Stainless steel
16	Screw	Steel	40	Washer	Stainless steel
17	Stretching washer	65Mn	41	Screw	Stainless steel
18	Washer	Steel	42	Oil seal	
19	Press plate	Steel	43	Impeller	Stainless steel
20	Case heater	NBR	44	Nut	Stainless steel
21	Screw	CuZn40	45	Connector	ABS
22	Stretching washer	65Mn	46	O-ring	FKM
23	Washer	CuZn40	47	Pump body	Stainless steel
24	Nut	Stainless steel			



Application

- Wastewater drainage in factories, construction sites and commercial facilities
- Drainage system in municipal sewage treatment plants
- Drainage station in residential quarters
- Municipal projects
- Methane pools and field irrigation in countryside

Pump

- Max. immersion depth: 5 m
- Max. liquid temperature: +40°C
- Liquid pH value: 4 – 10
- Liquid kinematic viscosity: $7 \times 10^{-7} - 23 \times 10^{-6} \text{ m}^2/\text{s}$
- Max. liquid density: $1.2 \times 10^{-3} \text{ kg/m}^3$

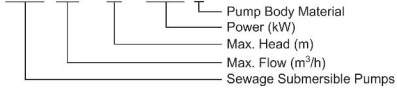
Motor

- Copper winding
- Built-in thermal protector
- Stainless steel welded shaft
- Insulation class: B
- Protection class: IP68



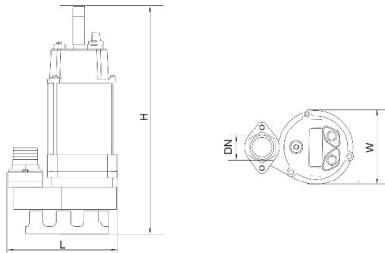
Identification Codes

XSP 18 - 12 / 0.75 S



Technical Data

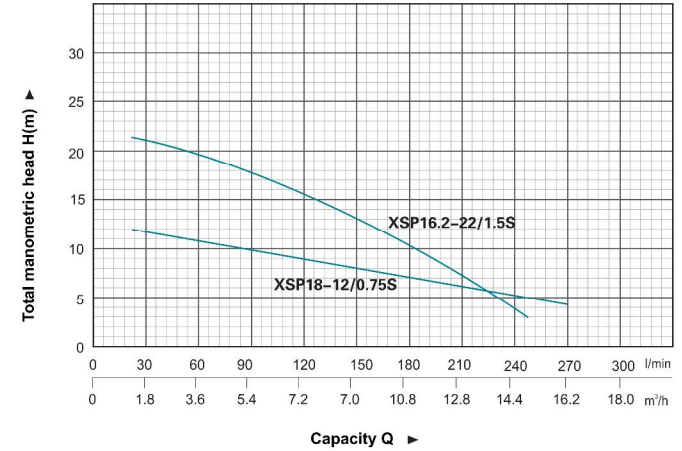
Model	Power		Outlet diameter (mm)	Voltage (V/Hz)	Max. flow (m)	Max. head (m)	Max. dia. of particle (mm)	GW (kgs)	Packing dimension (cm)
	(kW)	HP							
XSP18-12/0.75S	0.75	1.0	50	220/50	300	12	25	22	25.5x19.5x53.5
XSP16.2-22/1.5S	1.5	2.0	40	220/50	270	22	10	28.5	58.5x35x24.5



Dimension

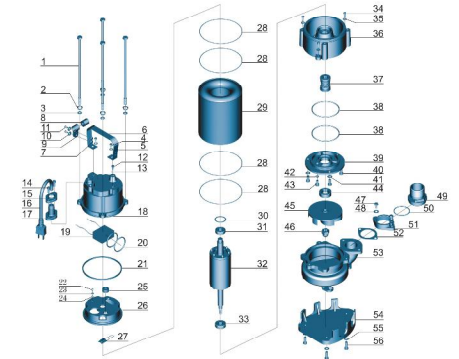
Model	DN	L (mm)	W (mm)	H (mm)
XSP18-12/0.75S	50	226	159	500
XSP16.2-22/1.5S	50	275	198	530

Hydraulic Performance Curve



Materials Table

No.	Part	Material	No.	Part	Material
1	Bolt	Stainless steel	29	Stator	
2	Stretching washer	Stainless steel	30	Weve washer	65Mn
3	Washer	Stainless steel	31	Ball bearing	
4	Bolt	Stainless steel	32	Nut	
5	Washer	Stainless steel	33	Ball bearing	
6	Handle	Stainless steel	34	Screw	Stainless steel
7	Nut	Stainless steel	35	Washer	Stainless steel
8	Protector	FKM	36	Connection part	Stainless steel
9	Cable presser	Stainless steel	37	Mechanical seal	Carbon/ceramic
10	Washer	Stainless steel	38	O-ring	FKM
11	Screw	Stainless steel	39	Oil chamber cover	Stainless steel
12	Bolt	Stainless steel	40	Screw	Stainless steel
13	O-ring	FKM	41	Washer	Stainless steel
14	Bolt	Stainless steel	42	O-ring	FKM
15	Flange	Stainless steel	43	Screw	Stainless steel
16	Cable		44	Oil seal	
17	Cable protector	CR	45	Impeller	Stainless steel
18	Capacitor cover	Stainless steel	46	Nut	
19	Capacitor		47	Bolt	Stainless steel
20	O-ring	NBR	48	Washer	Stainless steel
21	Rubber washer	FKM	49	Connector	ABS
22	Screw	CuZn40	50	O-ring	FKM
23	Stretching washer	65Mn	51	Connection nut	Stainless steel
24	Washer	CuZn40	52	Rubber washer	FKM
25	Cable hoicer	NBR	53	Pump body	Stainless steel
26	Motor cover	HT200	54	Base plate	Stainless steel
27	Thermal protector		55	Washer	Stainless steel
28	O-ring	FKM	56	Screw	Stainless steel



Application

- Wastewater drainage in factories, construction sites and commercial facilities
- Drainage system in municipal sewage treatment plants
- Drainage station in residential quarters
- Municipal projects
- Methane pools and field irrigation in countryside

Pump

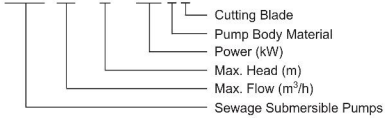
- Max. immersion depth: 5 m
- Max. liquid temperature: +40°C
- Liquid pH value: 4 – 10
- Liquid kinematic viscosity: $7 \times 10^{-7} - 23 \times 10^{-6} \text{ m}^2/\text{s}$
- Max. liquid density: $1.2 \times 10^{-3} \text{ kg/m}^3$

Motor

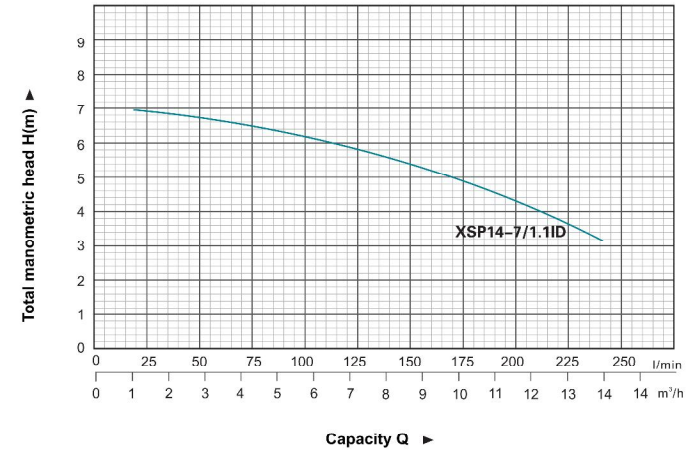
- Copper winding
- Built-in thermal protector
- Stainless steel welded shaft
- Insulation class: B
- Protection class: IP68

Identification Codes

XSP 14 - 7 / 1.1 I D

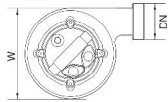
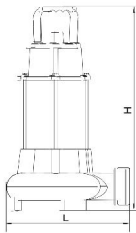


Hydraulic Performance Curve



Technical Data

Model	Power		Outlet diameter (mm)	Voltage (V/Hz)	Max. flow (m)	Max. head (m)	Max. dia. of particle (mm)	GW (kgs)	Packing dimension (cm)
	(kW)	HP							
XSP14-7/1.1D	1.1	1.5	50	220/50	233	7	22.5	22.5	56.5x30.5x24.5

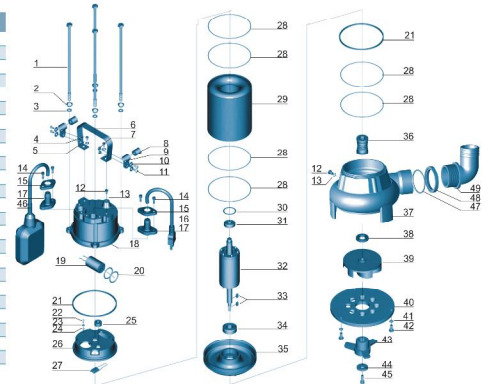


Dimension

Model	DN	L (mm)	W (mm)	H (mm)
XSP14 7/1.1D	50	255	202	478

Materials Table

No.	Part	Material	No.	Part	Material
1	Bolt	Stainless steel	26	Upper cover	HT200
2	Stretching washer	Stainless steel	27	Thermal protector	HT200
3	Washer	Stainless steel	28	O-ring	NBR
4	Bolt	Stainless steel	29	Stator	40Cr
5	Washer	Stainless steel	30	Wave washer	65Mn
6	Handle	Stainless steel	31	Ball bearing	HT200
7	Nut	Stainless steel	32	Rotor	40Cr
8	Protector	NR	33	Key	Steel
9	Cable presser	Stainless steel	34	Ball bearing	HT200
10	Washer	Stainless steel	35	Lower cover	HT200
11	Screw	Stainless steel	36	Mechanical seal	Carbon/ceramic
12	Bolt	Stainless steel	37	Pump body	HT200
13	O-ring	NBR	38	Oil seal	HT200
14	Screw	Stainless steel	39	Impeller	HT200
15	Flange	Stainless steel	40	Shredding ring	40Cr
16	Cable	Stainless steel	41	Washer	Stainless steel
17	Cable protector	CR	42	Screw	Stainless steel
18	Capacitor cover	HT200	43	Radial cutter	40Cr
19	Capacitor	40Cr	44	Washer	40Cr
20	O-ring	NBR	45	Screw	Stainless steel
21	Rubber washer	NBR	46	Float switch	Stainless steel
22	Screw	CuZn40	47	O-ring	NBR
23	Stretching washer	65Mn	48	Connection nut	ABS
24	Washer	CuZn40	49	Connector	ABS
25	Cable holder	NBR			



Application

- Wastewater drainage in factories, construction sites and commercial facilities
- Drainage system in municipal sewage treatment plants
- Drainage station in residential quarters
- Municipal projects
- Methane pools and field irrigation in countryside

Pump

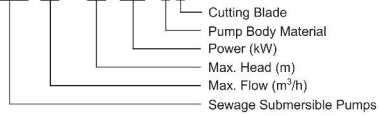
- Max. immersion depth: 5 m
- Max. liquid temperature: +40°C
- Liquid pH value: 4 – 10
- Liquid kinematic viscosity: $7 \times 10^{-7} - 23 \times 10^{-9} \text{ m}^2/\text{s}$
- Max. liquid density: $1.2 \times 10^{-3} \text{ kg/m}^3$

Motor

- Copper winding
- Built-in thermal protector
- Stainless steel welded shaft
- Insulation class: B
- Protection class: IP68

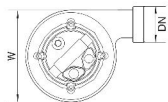
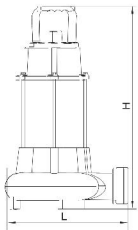
Identification Codes

XSP 18 - 12 / 1.3 ID



Technical Data

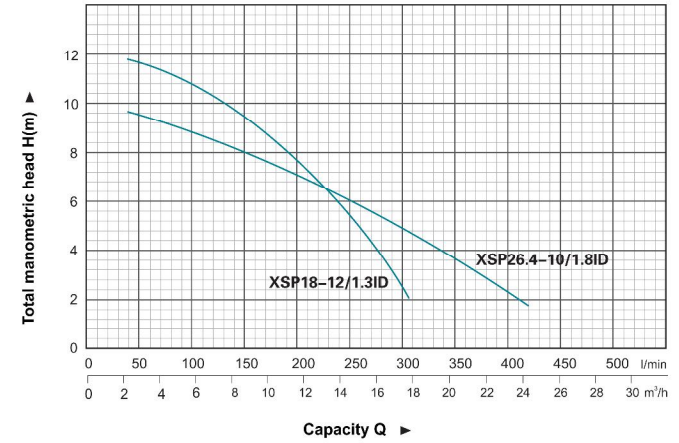
Model	Power		Outlet diameter (mm)	Voltage (V/Hz)	Max. flow (m)	Max. head (m)	G.W (kgs)	Packing dimension (cm)
	(kW)	HP						
XSP18-12/1.3ID	1.3	1.75	50	220/50	300	12	22	56.5x30.5x24.5
XSP26.4-10/1.8ID	1.8	2.4	75	220/50	440	10	28.5	58.5x35x24.5



Dimension

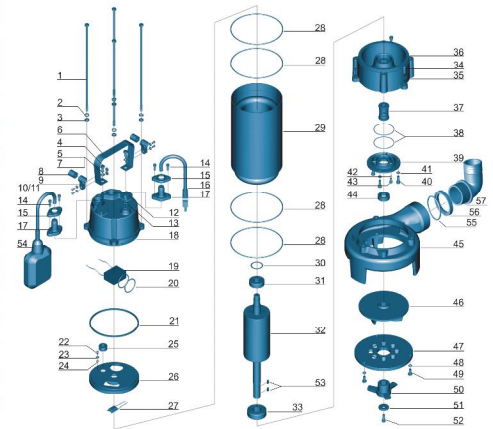
Model	DN	L (mm)	W (mm)	H (mm)
XSP18-12/1.3ID	50	252	191	510
XSP26.4-10/1.8ID	75	290	196	520

Hydraulic Performance Curve



Materials Table

No.	Part	Material	No.	Part	Material
1	Bolt	Stainless steel	30	Undulated washer	65Mn
2	Stretching washer	Stainless steel	31	Ball bearing	
3	Washer	Stainless steel	32	Rotor	
4	Bolt	Stainless steel	33	Ball bearing	
5	Washer	Stainless steel	34	Screw	Stainless steel
6	Handle	Stainless steel	35	Washer	Stainless steel
7	Nut	Stainless steel	36	Connection part	HT200
8	Protector	NR	37	Mechanical seal	Carbon/ceramic
9	Cable presser	Stainless steel	38	O-ring	NBR
10	Washer	Stainless steel	39	Oil chamber cover	HT200
11	Screw	Stainless steel	40	Screw	Stainless steel
12	Bolt	Stainless steel	41	Washer	Stainless steel
13	O-ring	NBR	42	O-ring	NBR
14	Screw	Stainless steel	43	Screw	Stainless steel
15	Flange	Stainless steel	44	Oil seal	
16	Cable		45	Pump body	HT200
17	Cable Protector	CR	46	Impeller	HT200
18	Capacitor cover	HT200	47	Shredding ring	40Cr
19	Capacitor		48	Washer	Stainless steel
20	O-ring	NBR	49	Bolt	Stainless steel
21	Rubber washer	NBR	50	Radial cutter	40Cr
22	Screw	CuZn40	51	Washer	40Cr
23	Stretching washer	65Mn	52	Screw	Stainless steel
24	Washer	CuZn40	53	Key	Steel
25	Line protector	NBR	54	Float switch	
26	Motor cover	HT200	55	O-ring	NBR
27	Thermal protector		56	Connection nut	ARS
28	O-ring	NBR	57	Out-let connector	ABS
29	Motor stator	Stainless steel			



Application

- Wastewater drainage in factories, construction sites and commercial facilities
- Drainage system in municipal sewage treatment plants
- Drainage station in residential quarters
- Municipal projects
- Methane pools and field irrigation in countryside

Pump

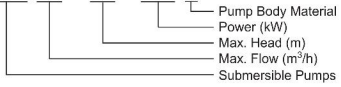
- Max. immersion depth: 5 m
- Max. liquid temperature: +40°C
- Liquid pH value: 4 – 10
- Liquid kinematic viscosity: $7 \times 10^{-7} \sim 23 \times 10^{-6} \text{ m}^2/\text{s}$
- Max. liquid density: $1.2 \times 10^{-3} \text{ kg/m}^3$

Motor

- Copper winding
- Built-in thermal protector
- Stainless steel welded shaft
- Insulation class: B
- Protection class: IP68

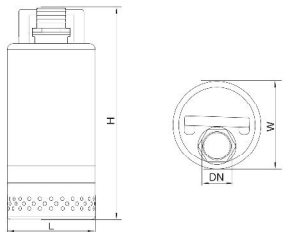
Identification Codes

XQS 7.2 – 8.5 / 0.25 S



Technical Data

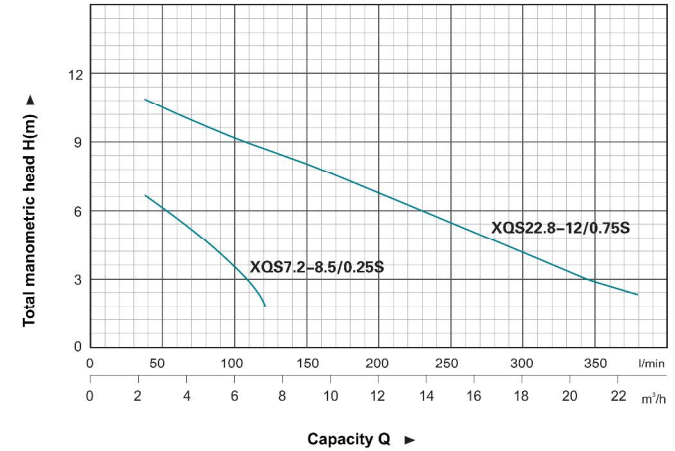
Model	Power		Outlet diameter (mm)	Voltage (V/Hz)	Max. flow (m)	Max. head (m)	G.W (kgs)	Packing dimension (cm)
	(kW)	HP						
XQS7.2-8.5/0.25S	0.25	0.33	40,32,25	220/50	120	8.5	10	17.5x17.5x34.5
XQS22.8-12/0.75S	0.75	1.0	50	220/50	380	12	18	22x22x44



Dimension

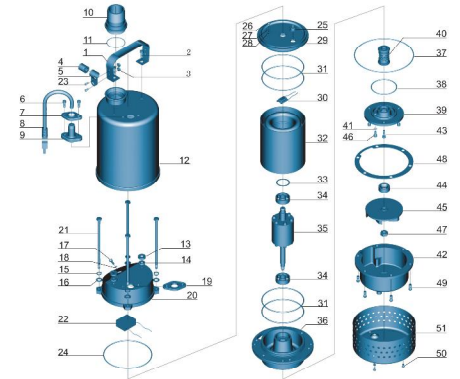
Model	DN	L (mm)	W (mm)	H (mm)
XQS7.2-8.5/0.25S	40	142	142	300
XQS22.8-12/0.75S	50	170	170	380

Hydraulic Performance Curve



Materials Table

No.	Part	Material	No.	Part	Material
1	Handle	Stainless steel	27	Stretching washer	65Mn
2	Screw	Stainless steel	28	Washer	CuZn40
3	Nut	Stainless steel	29	Motor cover	Stainless steel
4	Protector	FKM	30	Thermal protector	Stainless steel
5	Cable presser	Stainless steel	31	O-ring	FKM
6	Screw	Stainless steel	32	Stator	Stainless steel
7	Flange	Stainless steel	33	Wave washer	65Mn
8	Cable		34	Ball bearing	
9	Cable protector	CR	35	Rotor	
10	Connector	ABS	36	Connection part	Stainless steel
11	O-ring	FKM	37	O-ring	FKM
12	Motor shell	Stainless steel	38	O-ring	FKM
13	Rubber washer	FKM	39	Oil chamber cover	Stainless steel
14	Washer	Steel	40	Mechanical seal	SiC/SiC
15	Stretching washer	Stainless steel	41	O-ring	FKM
16	Washer	Stainless steel	42	Pump body	Stainless steel
17	Screw	Stainless steel	43	Screw	Stainless steel
18	O-ring	FKM	44	Oil seal	Stainless steel
19	Rubber washer	FKM	45	Impeller	Stainless steel
20	Capacitor cover	Stainless steel	46	Screw	Stainless steel
21	Bolt	Stainless steel	47	Nut	Stainless steel
22	Capacitor		48	Rubber washer	FKM
23	Screw	Stainless steel	49	Screw	Stainless steel
24	O-ring	FKM	50	Screw	Stainless steel
25	Cable holder	NBR	51	Filter mesh	Stainless steel
26	Screw	CuZn40			



Application

- Wastewater drainage in factories, construction sites and commercial facilities
- Drainage system in municipal sewage treatment plants
- Drainage station in residential quarters
- Municipal projects
- Methane pools and field irrigation in countryside

Pump

- Max. immersion depth: 5 m
- Max. liquid temperature: +40°C
- Liquid pH value: 4 – 10
- Liquid kinematic viscosity: $7 \times 10^{-7} \sim 23 \times 10^{-6} \text{ m}^2/\text{s}$
- Max. liquid density: $1.2 \times 10^{-3} \text{ kg/m}^3$

Motor

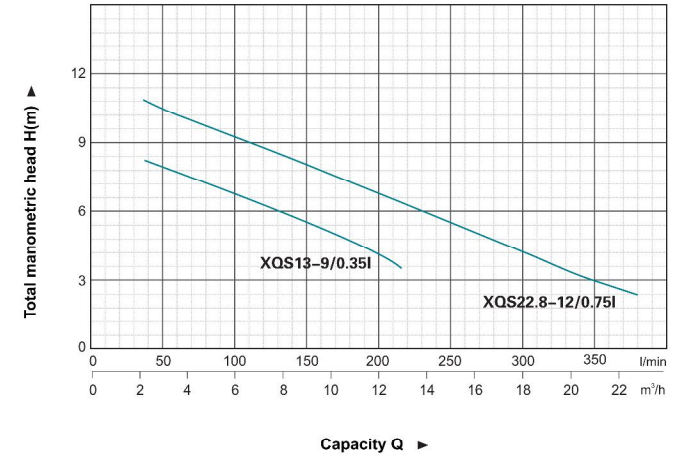
- Copper winding
- Built-in thermal protector
- Stainless steel welded shaft
- Insulation class: B
- Protection class: IP68

Identification Codes

XQS 22.8 - 12 / 0.75 I

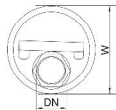
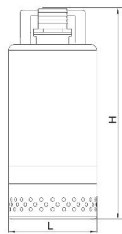


Hydraulic Performance Curve



Technical Data

Model	Power		Outlet diameter (mm)	Voltage (V/Hz)	Max. flow (m)	Max. head (m)	G.W (kgs)	Packing dimension (cm)
	(kW)	HP						
XQS13-9/0.35I	0.35	0.5	50	220/50	216	9	17	22x22x44
XQS22.8-12/0.75I	0.75	1.0	50	220/50	380	12	18.5	22x22x44

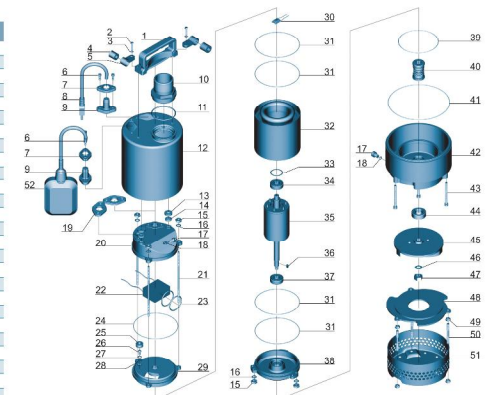


Dimension

Model	DN	L (mm)	W (mm)	H (mm)
XQS13-9/0.35I	50	170	170	380
XQS22.8-12/0.75I	50	170	170	380

Materials Table

No.	Part	Material	No.	Part	Material
1	Handle	ABS	27	Stretching washer	65Mn
2	Bolt	Stainless steel	28	Washer	CuZn40
3	Washer	Stainless steel	29	Upper cover	HT200
4	Protector	NR	30	Thermal protector	
5	Cable presser	Stainless steel	31	O-ring	NBR
6	Screw	Stainless steel	32	Stator	
7	Flange	Stainless steel	33	Wave washer	65Mn
8	Cable		34	Ball bearing	
9	Cable protector	CR	35	Rotor	
10	Connector	ABS	36	Key	Steel
11	O-ring	NBR	37	Ball bearing	
12	Motor shell	Stainless steel	38	Lower cover	HT200
13	Rubber washer	NBR	39	O-ring	NBR
14	Washer	Steel	40	Mechanical seal	Carbon/ceramic
15	Nut	Stainless steel	41	O-ring	NBR
16	Washer	Stainless steel	42	Pump body	HT200
17	Screw	Stainless steel	43	Screw	Stainless steel
18	O-ring	NBR	44	Oil seal	
19	Rubber washer	NBR	45	Impeller	HT200
20	Capacitor cover	HT200	46	Washer	Stainless steel
21	Bilateral bolt	Stainless steel	47	Nut	Stainless steel
22	Capacitor		48	Pump cover	HT200
23	O-ring	NBR	49	Nut	Stainless steel
24	O-ring	NBR	50	Bilateral bolt	Stainless steel
25	Cable holder	NBR	51	Filter mesh	Stainless steel
26	Screw	CuZn40	52	Floater switch	



Application

- Wastewater drainage in factories, construction sites and commercial facilities
- Drainage system in municipal sewage treatment plants
- Drainage station in residential quarters
- Municipal projects
- Methane pools and field irrigation in countryside

Pump

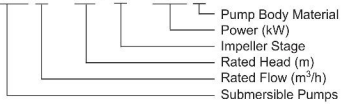
- Max. immersion depth: 5 m
- Max. liquid temperature: +40°C
- Liquid pH value: 4 – 10
- Liquid kinematic viscosity: $7 \times 10^{-7} - 23 \times 10^{-6} \text{ m}^2/\text{s}$
- Max. liquid density: $1.2 \times 10^{-3} \text{ kg/m}^3$

Motor

- Copper winding
- Built-in thermal protector
- Stainless steel welded shaft
- Insulation class: B
- Protection class: IP68

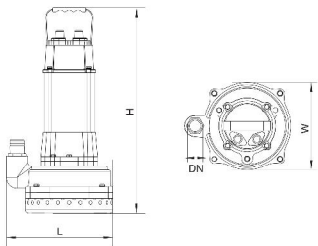
Identification Codes

XQS 4 – 15 / 2 – 0.55 I



Technical Data

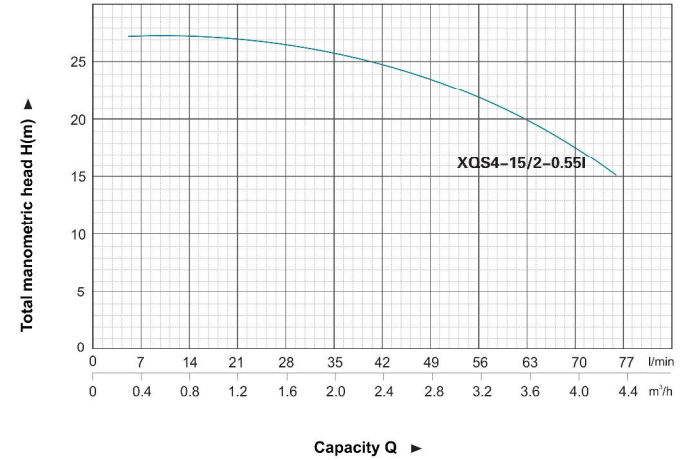
Model	Power		Outlet diameter (mm)	Voltage (V/Hz)	Max. flow (m)	Max. head (m)	G.W (kgs)	Packing dimension (cm)
	(kW)	HP						
XQS4-15/2-0.55I	0.55	0.75	25	220/50	75	27	18.5	27x23.5x50



Dimension

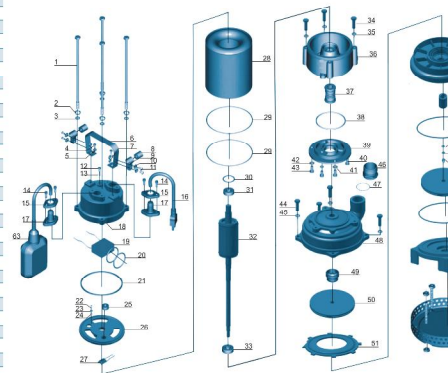
Model	DN	L (mm)	W (mm)	H (mm)
XQS4-15/2-0.55I	32	235	198	462

Hydraulic Performance Curve



Materials Table

No.	Part	Material	No.	Part	Material
1	Bolt	Stainless steel	33	Ball bearing	
2	Stretching washer	Stainless steel	34	Bolt	Stainless steel
3	Washer	Stainless steel	35	Washer	Stainless steel
4	Bolt	Stainless steel	36	Connection part	HT200
5	Washer	Stainless steel	37	Mechanical seal	Carbon/ceramic
6	Handle	Stainless steel	38	O-ring	NBR
7	Nut	Stainless steel	39	Oil chamber cover	HT200
8	Protector	NR	40	Screw	Stainless steel
9	Cable presser	Stainless steel	41	Washer	Stainless steel
10	Washer	Stainless steel	42	O-ring	Stainless steel
11	Screw	Stainless steel	43	Screw	Stainless steel
12	Bolt	Stainless steel	44	Bolt	Stainless steel
13	O-ring	NBR	45	Washer	Stainless steel
14	Bolt	Stainless steel	46	Connector	ABS
15	Flange	Stainless steel	47	O-ring	NBR
16	Cable		48	Pump body	HT200
17	Cable protector	CR	49	Mechanical seal	Carbon/ceramic
18	Capacitor cover	HT200	50	Impeller	PPO
19	Capacitor		51	Guidleaf cover	PPO
20	O-ring	NBR	52	Guidleaf	PPO
21	O-ring	NBR	53	Sleeve	PPO
22	Screw	CuZn40	54	O-ring	NBR
23	Stretching washer	65Mn	55	Washer	Stainless steel
24	Washer	CuZn40	56	Stretching washer	Stainless steel
25	Cable holder	NBR	57	Nut	Stainless steel
26	Motor cover	HT200	58	O-ring	NBR
27	Thermal protector		59	Pump cover	HT200
28	Stator		60	Nut	Stainless steel
29	O-ring	NBR	61	Bilateral bolt	Stainless steel
30	Wave washer	65Mn	62	Filter mesh	Stainless steel
31	Ball bearing		63	Float switch	
32	Rotor				



Application

- Wastewater drainage in factories, construction sites and commercial facilities
- Drainage system in municipal sewage treatment plants
- Drainage station in residential quarters
- Municipal projects
- Methane pools and field irrigation in countryside

Pump

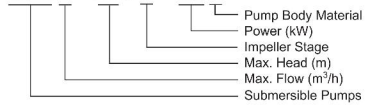
- Max. immersion depth: 5 m
- Max. liquid temperature: +40°C
- Liquid pH value: 4 – 10
- Liquid kinematic viscosity: $7 \times 10^{-7} \sim 23 \times 10^{-6} \text{ m}^2/\text{s}$
- Max. liquid density: $1.2 \times 10^{-3} \text{ kg/m}^3$

Motor

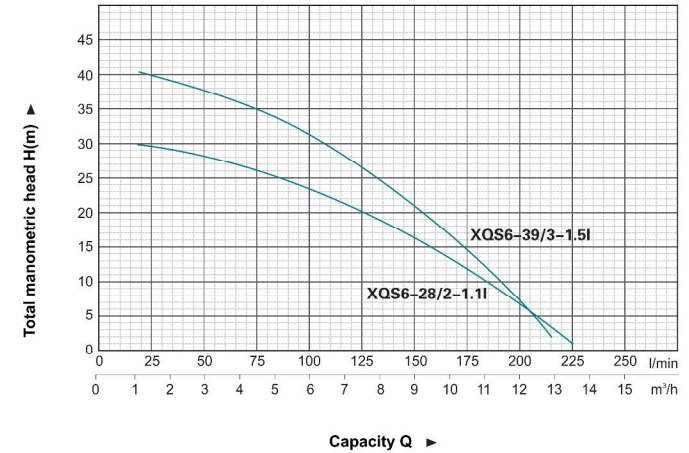
- Copper winding
- Built-in thermal protector
- Stainless steel welded shaft
- Insulation class: B
- Protection class: IP68

Identification Codes

XQS 6 - 28 / 2 - 1.1 I



Hydraulic Performance Curve

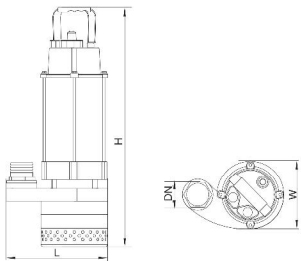
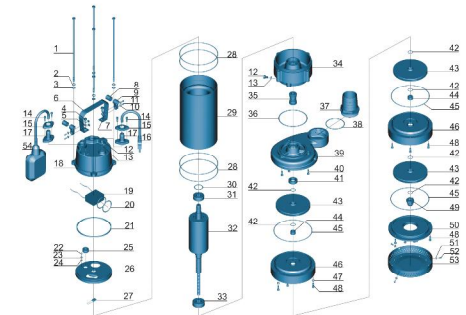


Technical Data

Model	Power		Outlet diameter (mm)	Voltage (V/Hz)	Max. flow (m)	Max. head (m)	G.W (kgs)	Packing dimension (cm)
	kW	HP						
XQS6-28/2-1.1	1.1	1.5	50	220/50	250	30	20.5	27x22x53
XQS6-39/3-1.5I	1.5	2.0	50	220/50	240	42	27.5	62x28x20

Materials Table

No.	Part	Material	No.	Part	Material
1	Bolt	Stainless steel	29	Stator	
2	Stretching washer	Stainless steel	30	Wave washer	65Mn
3	Washer	Stainless steel	31	Ball bearing	
4	Bolt	Stainless steel	32	Rotor	
5	Washer	Stainless steel	33	Ball bearing	
6	Handle	Stainless steel	34	Connection part	HT200
7	Nut	Stainless steel	35	Mechanical seal	Carbon/ceramic
8	Protector	NR	36	O-ring	NBR
9	Cable presser	Stainless steel	37	Connector	ABS
10	Washer	Stainless steel	38	O-ring	NBR
11	Screw	Stainless steel	39	Pump body	HT200
12	Bolt	Stainless steel	40	Screw	Stainless steel
13	O-ring	NBR	41	Oil seal	
14	Screw	Stainless steel	42	Rubber washer	NBR
15	Flange	Stainless steel	43	Impeller	HT200
16	Cable		44	Ring	Steel
17	Cable protector	CR	45	O-ring	NBR
18	Capacitor cover	HT200	46	Diffuser	HT200
19	Capacitor		47	Stretching washer	Stainless steel
20	O-ring	NBR	48	Screw	Stainless steel
21	Rubber washer	NBR	49	Nut	Stainless steel
22	Screw	CuZn40	50	Pump cover	HT200
23	Stretching washer	65Mn	51	Washer	Stainless steel
24	Washer	CuZn40	52	Screw	Stainless steel
25	Cable holder	NBR	53	Filter mesh	Steel
26	Motor cover	HT200	54	Floater switch	
27	Thermal protector		55	Key	Steel
28	O-ring	NBR			



Dimension

Model	DN	L (mm)	W (mm)	H (mm)
XQS6-28/2-1.1	50	232	152	508
XQS6-39/3-1.5I	50	232	152	567

XQS

Submersible Pumps

Application

- Wastewater drainage in factories, construction sites and commercial facilities
- Drainage system in municipal sewage treatment plants
- Drainage station in residential quarters
- Municipal projects
- Methane pools and field irrigation in countryside

Pump

- Max. immersion depth: 5 m
- Max. liquid temperature: +40°C
- Liquid pH value: 4 – 10
- Liquid kinematic viscosity: $7 \times 10^{-7} \sim 23 \times 10^{-6} \text{ m}^2/\text{s}$
- Max. liquid density: $1.2 \times 10^{-3} \text{ kg/m}^3$

Motor

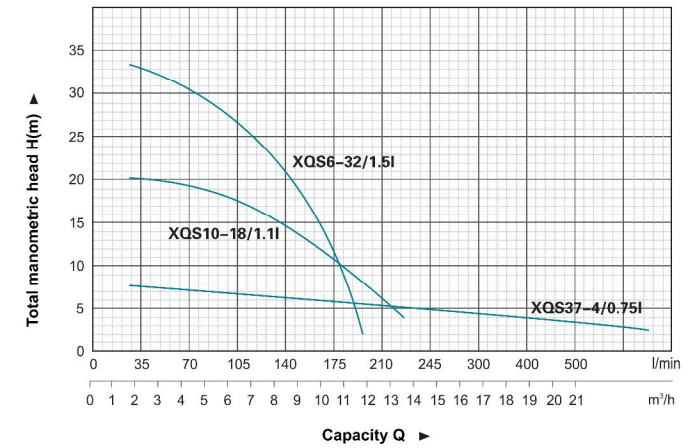
- Copper winding
- Built-in thermal protector
- Stainless steel welded shaft
- Insulation class: B
- Protection class: IP68

Identification Codes

XQS 10 – 18 / 1.1 I



Hydraulic Performance Curve

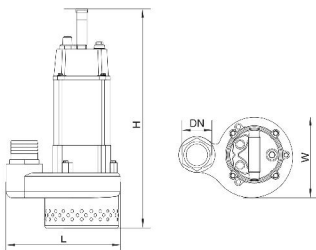
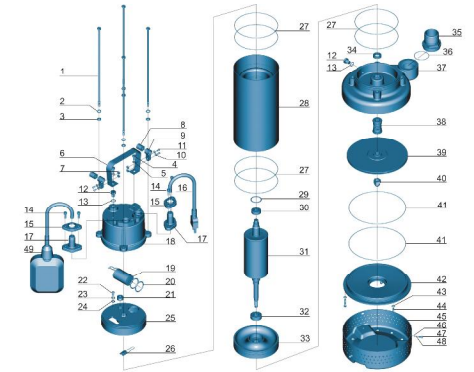


Technical Data

Model	Power		Outlet diameter (mm)	Voltage (V/Hz)	Max.flow (m)	Max.head (m)	G.W (kgs)	Packing dimension (cm)
	kW	HP						
XQS37-4/0.75I	0.75	1.0	75	220/50	650	8	24.5	27x22.5x55.5
XQS10-18/1.1I	1.1	1.5	40,32,25	220/50	250	20	21	27x22x50
XQS6-32/1.5I	1.5	2.0	40,32,25	220/50	216	24	25	27x22x50

Materials Table

No.	Part	Material	No.	Part	Material
1	Bolt	Stainless steel	26	Thermal protector	
2	Stretching washer	Stainless steel	27	O-ring	NBR
3	Washer	Stainless steel	28	Stator	
4	Bolt	Stainless steel	29	Wave washer	65Mn
5	Washer	Stainless steel	30	Ball bearing	
6	Handle	Stainless steel	31	Rotor	
7	Nut	Stainless steel	32	Ball bearing	
8	Protector	NBR	33	Lower cover	HT200
9	Cable presser	Stainless steel	34	Oil seal	
10	Washer	Stainless steel	35	Connector	ABS
11	Screw	Stainless steel	36	O-ring	NBR
12	Bolt	Stainless steel	37	Pump body	HT200
13	O-ring	NBR	38	Mechanical seal	Carbon/ceramic
14	Screw	Stainless steel	39	Impeller	HT200
15	Flange	Stainless steel	40	Nut	Stainless steel
16	Cable		41	O-ring	NBR
17	Cable protector	CR	42	Pump body	HT200
18	Capacitor cover	HT200	43	Washer	Stainless steel
19	Capacitor		44	Screw	Stainless steel
20	O-ring	NBR	45	Filter mesh	Steel
21	Cable holder	NBR	46	Washer	Stainless steel
22	Screw	CuZn40	47	Screw	Stainless steel
23	Stretching washer	65Mn	48	Stretching washer	Stainless steel
24	Washer	CuZn40	49	Float switch	
25	Upper cover	HT200			



Dimension

Model	DN	L (mm)	W (mm)	H (mm)
XQS37-4/0.75I				
XQS10-18/1.1I	40	238	177	460
XQS6-32/1.5I	40	250	205	512

Application

- Wastewater drainage in factories, construction sites and commercial facilities
- Drainage system in municipal sewage treatment plants
- Drainage station in residential quarters
- Municipal projects
- Methane pools and field irrigation in countryside

Pump

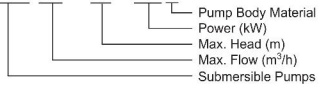
- Max. immersion depth: 5 m
- Max. liquid temperature: +40°C
- Liquid pH value: 4 – 10
- Liquid kinematic viscosity: $7 \times 10^{-7} \sim 23 \times 10^{-6} \text{ m}^2/\text{s}$
- Max. liquid density: $1.2 \times 10^{-3} \text{ kg/m}^3$

Motor

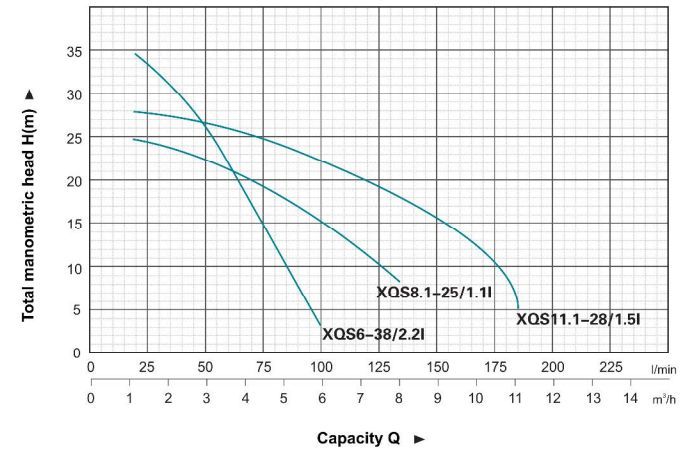
- Copper winding
- Built-in thermal protector
- Stainless steel welded shaft
- Insulation class: B
- Protection class: IP68

Identification Codes

XQS 8.1 - 25 / 1.1 I



Hydraulic Performance Curve

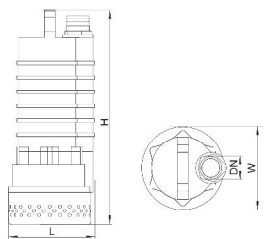
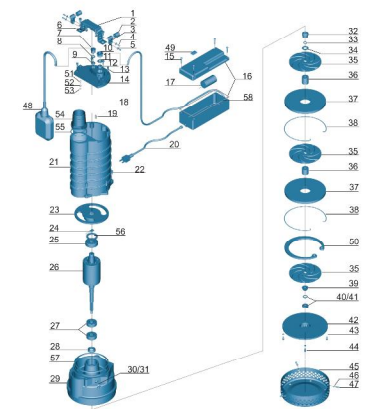


Technical Data

Model	Power		Outlet diameter (mm)	Voltage (V/Hz)	Max. flow (m)	Max. head (m)	G.W (kgs)	Packing dimension (cm)
	kW	HP						
XQS8.1-25/1.1I	1.1	1.5	50	220/50	135	25	29.5	58.5x35.5x24.5
XQS11.1-28/1.5I	1.5	2.0	50	220/50	185	28	29.5	58.5x35.5x24.5
XQS6-38/2.2I	2.2	3.0	50	220/50	100	38	30.5	58.5x35.5x24.5

Materials Table

No.	Part	Material	No.	Part	Material
1	Handle	Stainless steel	30	Screw	Stainless steel
2	Protector	NBR	31	O-ring	NBR
3	Cable presser	Stainless steel	32	Mechanical seal	Carbon/ceramic
4	Screw	Stainless steel	33	Snap ring	65Mn
5	Washer	Stainless steel	34	Washer	Stainless steel
6	Nut	Stainless steel	35	Impeller	Stainless steel
7	Bolt	CuZn40	36	Washer	Steel
8	Washer	CuZn40	37	Diffuser	Stainless steel
9	Rubber washer	NBR	38	Ring	Stainless steel
10	Bolt	CuZn40	39	Washer	Steel
11	Washer	CuZn40	40	Washer	Stainless steel
12	Rubber washer	NBR	41	Nut	Stainless steel
13	Screw	Stainless steel	42	Pump cover	PP
14	Upper cover	Steel	43	Washer	Steel
15	Screw	Stainless steel	44	Screw	Steel
16	Capacitor box	ABS	45	Filter mesh	Stainless steel
17	Capacitor	46	Washer	Steel	
18	Rubber washer	NBR	47	Screw	Steel
19	Screw	Steel	48	Float switch	
20	Cable		49	Power switch	
21	Stator		50	Snap ring	65Mn
22	Screw	Stainless steel	51	Screw	CuZn40
23	Motor cover	HT200	52	Stretching washer	65Mn
24	Thermal protector		53	Washer	CuZn40
25	Ball bearing		54	Capacitor	ABS
26	Rotor		55	O-ring	NBR
27	Ball bearing		56	Wave washer	65Mn
28	Oil seal		57	O-ring	NBR
29	Pump body	HT200	58	Rubber washer	NBR



Dimension

Model	DN	L (mm)	W (mm)	H (mm)
XQS8.1-25/1.1I	50	193	185	460
XQS11.1-28/1.5I	50	193	185	460
XQS6-38/2.2I	50	193	185	460

Application

- Wastewater drainage in factories, construction sites and commercial facilities
- Drainage system in municipal sewage treatment plants
- Drainage station in residential quarters
- Municipal projects
- Methane pools and field irrigation in countryside

Pump

- Max. immersion depth: 5 m
- Max. liquid temperature: +60°C
- Liquid pH value: 5 – 9
- Max. liquid density: 11.3×103kg/m³

Motor

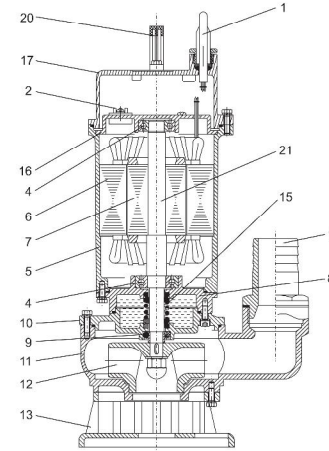
- Copper winding
- Insulation class: F
- Protection class: IP68

Identification Codes

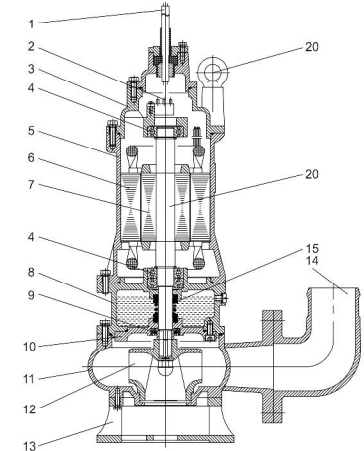
WQ – 25–10–2.2



WQ



WQ0.75–1.5kW



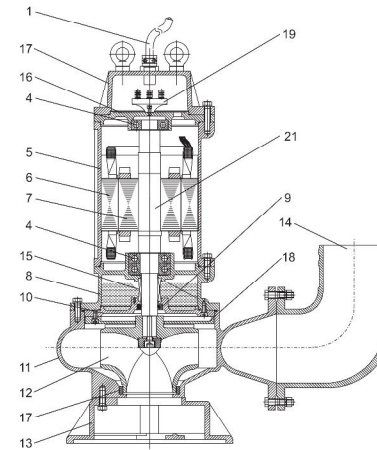
WQ2.2–4kW



CWQ



WQ

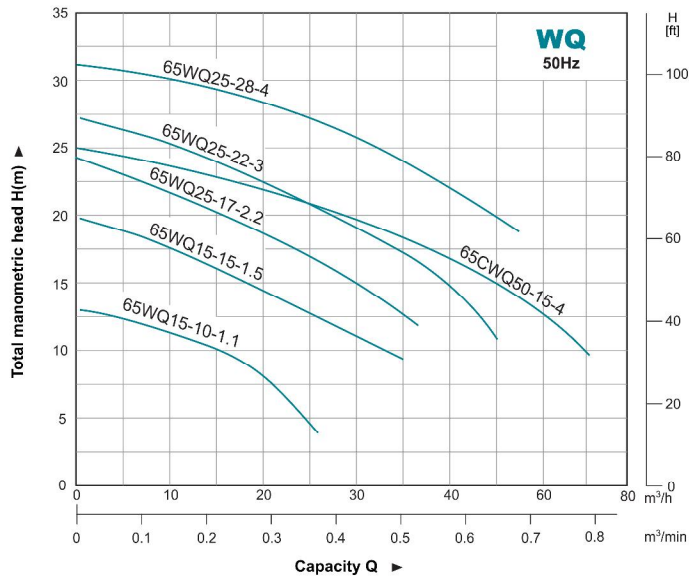
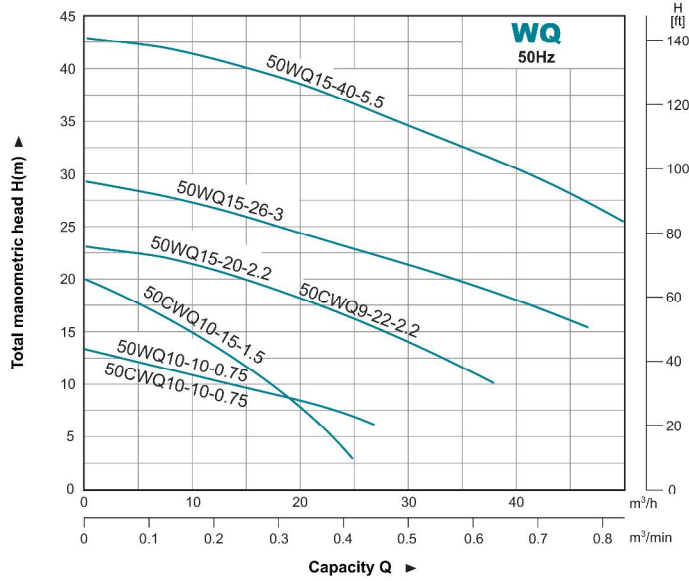


WQ5.5–45kW

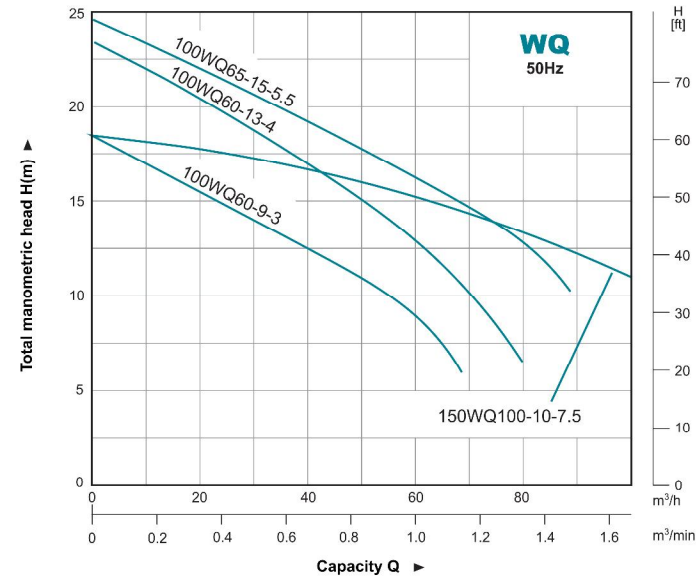
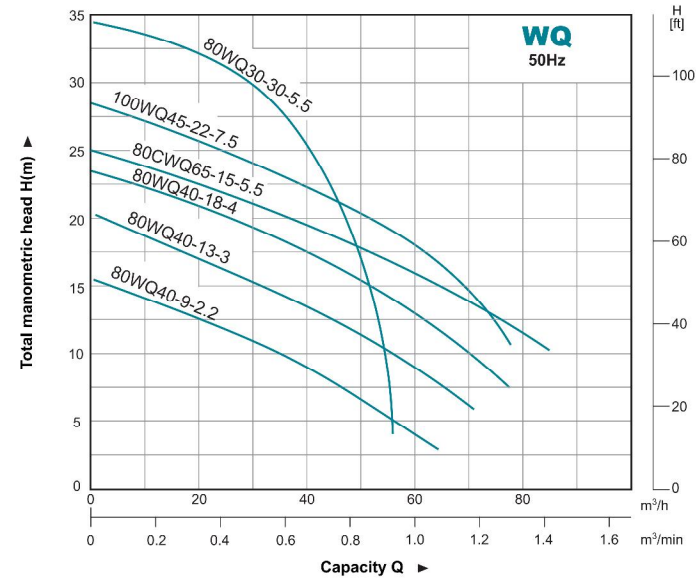
Materials Table

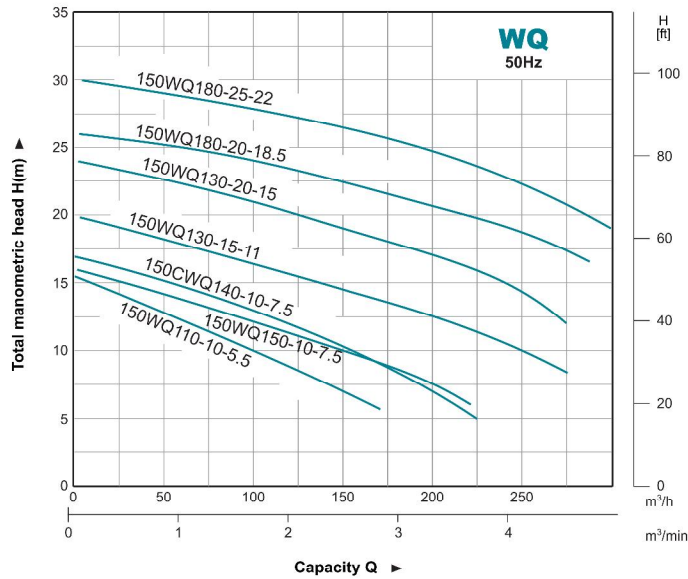
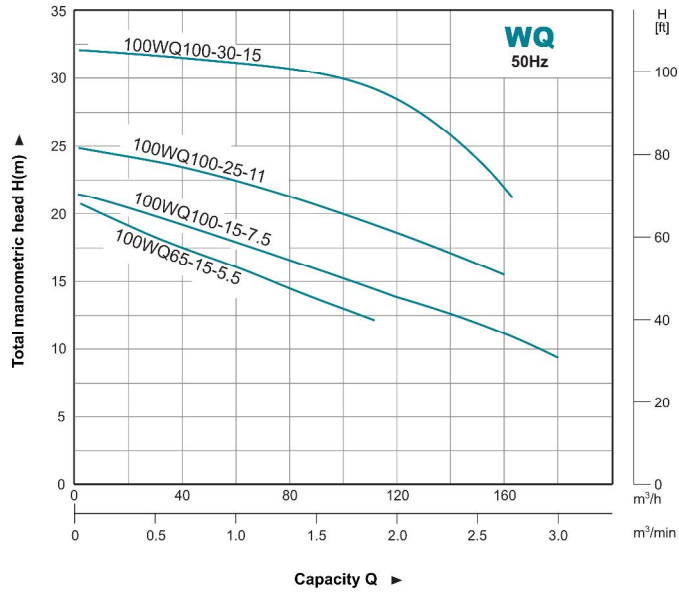
No.	Part	Material
1	Cable	
2	Motor protector	
3	Bearing house	Cast iron
4	Bearing	
5	Motor body	Cast iron
6	Stator	
7	Rotor	
8	Bearing house	Cast iron
9	Oil seal bracket	
10	Plate	Cast iron
11	Pump body	Cast iron
12	Impeller	Cast iron
13	End stand	Cast iron
14	Hose coupling	Cast iron
15	Mechanical seal	Sic-sic/carbon ceramic
16	Upcover	Cast iron
17	Plate	Cast iron
18	Plate	Cast iron
19	Patch board	
20	Handle	Steel
21	Shaft	AISI 1045

Hydraulic Performance Curve

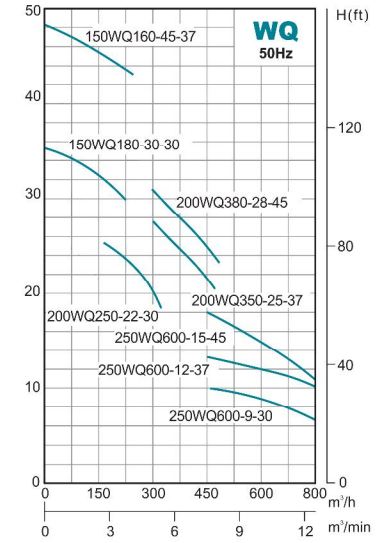
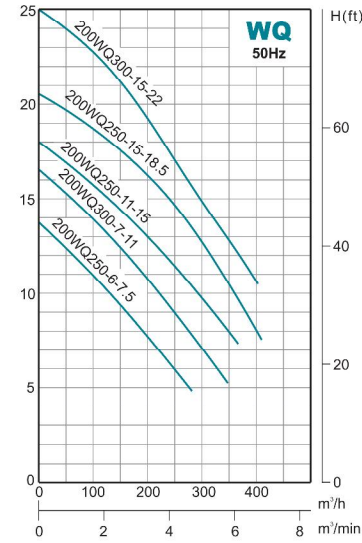


Hydraulic Performance Curve





Hydraulic Performance Curve

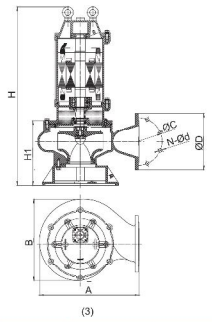
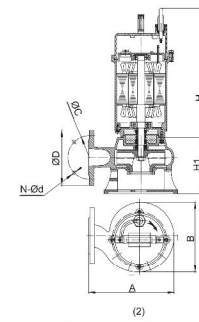
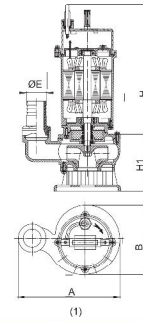
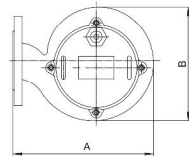
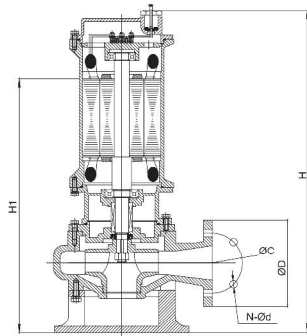


Technical Data

Model	Voltage		Motor power		Outlet in	Guide Rial Fitting	Rated capacity m³/h	Rated head m	Speed r.p.m	Impeller passage mm	N.W kg	Packing dimension mm
	v	Kw	HP									
50WQD10-10-0.75	220	0.75	1	2	50-50	10	10	2860	25	19	510x230x270	
50WQ10-10-0.75	380	0.75	1	2	50-50	10	10	2860	25	19	510x230x270	
65WQ15-10-1.1	380	1.1	1.5	2.5	50-65	15	10	2860	25	23.5	520x230x280	
65WQ15-15-1.5	380	1.5	2	2.5	50-65	15	15	2860	25	25	520x230x280	
50WQ15-20-2.2	380	2.2	3	2	50-50	15	20	2860	25	44	680x250x310	
65WQ25-17-2.2	380	2.2	3	2.5	65-65	25	17	2860	25	44	680x250x310	
80WQ40-9-2.2	380	2.2	3	3	65-80	40	9	2860	30	45	700x270x350	
50WQ15-26-3	380	3	4	2	50-50	15	26	2860	25	50	700x270x340	
65WQ25-22-3	380	3	4	2.5	65-65	25	22	2860	30	50	700x250x310	
80WQ40-13-3	380	3	4	3	80-80	40	13	2860	30	52	700x280x320	
100WQ60-9-3	380	3	4	4	80-100	60	9	2860	30	52	750x260x320	
65WQ25-28-4	380	4	5.5	2.5	65-65	25	28	2860	30	62	800x290x360	
80WQ40-18-4	380	4	5.5	3	80-80	40	18	2860	30	65	800x290x370	
100WQ60-13-4	380	4	5.5	4	80-100	60	13	2860	30	65	840x330x380	
50WQ15-40-5.5	380	5.5	7.5	2	50-50	15	40	2860	20	73	810x320x340	
80WQ30-30-5.5	380	5.5	7.5	3	80-80	30	30	2860	30	75	810x320x340	
100WQ65-15-5.5	380	5.5	7.5	4	100-100A	65	15	2860	30	75	840x330x380	
100WQ45-22-7.5	380	7.5	10	4	100-100A	45	22	2860	30	123	400x380x960	
150WQ100-10-7.5	380	7.5	10	6	150-150	100	10	2860	40	123	410x400x960	
100WQ65-15-5.5	380	5.5	7.5	4	100-100A	65	15	1450	35	126	420x520x1050	
150WQ110-10-5.5	380	5.5	7.5	6	150-150	110	10	1450	40	153	450x530x1070	
100WQ100-15-7.5	380	7.5	10	4	100-100A	100	15	1450	35	156	450x570x1060	
150WQ150-10-7.5	380	7.5	10	6	150-150	150	10	1450	50	163	450x550x1080	
100WQ100-25-11	380	11	15	4	100-100	100	25	1450	40	221	500x580x1110	
150WQ130-15-11	380	11	15	6	150-150	130	15	1450	45	239	500x600x1140	
200WQ300-7-11	380	11	15	8	200-200	300	7	1450	50	252	500x630x1140	
100WQ100-30-15	380	15	20	4	100-100	100	30	1450	40	239	480x600x1140	
150WQ130-20-15	380	15	20	6	150-150	130	20	1450	50	259	480x600x1240	

Technical Data

Model	Voltage		Motor power		Outlet	Guide Rial Fitting	Rated capacity	Rated head	Speed	Impeller passage	N.W	Packing dimension
	v	Kw	HP	in								
200WQ250-11-15	380	15	20	8	200-200	250	11	1450	50	274	480x600x1240	
150WQ180-20-18.5	380	18.5	25	6	150-150	180	20	1450	50	300	500x610x1270	
200WQ250-15-18.5	380	18.5	25	8	200-200	250	15	1450	50	300	500x610x1270	
150WQ180-25-22	380	22	30	6	150-150	180	25	1450	50	324	500x610x1300	
200WQ300-15-22	380	22	30	8	200-200	300	15	1450	50	324	500x610x1300	
150WQ180-30-30	380	30	40	6	150-150	180	30	1450	70	445	560x730x1430	
200WQ250-22-30	380	30	40	8	200-200	250	22	1450	70	446	560x730x1430	
250WQ600-9-30	380	30	40	10	250-250	600	9	1450	70	446	560x730x1430	
150WQ160-45-37	380	37	50	6	150-150	160	45	1450	70	492	590x730x1450	
200WQ350-25-37	380	37	50	8	200-200	350	25	1450	70	493	590x730x1450	
250WQ600-12-37	380	37	50	10	250-250	600	12	1450	70	493	590x730x1450	
200WQ380-28-45	380	45	60	8	200-200	380	28	1450	70	545	590x780x1450	
250WQ600-15-45	380	45	60	10	250-250	600	15	1450	70	545	590x780x1450	
50CWQ10-10-0.75	380	0.75	1.0	2	50-50	10	10	2860	20	31	540x230x270	
50CWQ10-15-1.5	380	1.5	2.0	2.5	50-50	10	15	2860	20	38	580x235x310	
50CWQ9-22-2.2	380	2.2	3.0	2.5	50-50	9	22	2860	20	41	580x235x310	
65CWQ50-15-4	380	4	5.5	6	65-65	50	15	2860	25	61	660x280x330	
80CWQ65-15-5.5	380	5.5	7.5	10	80-80	65	15	2860	30	86	720x310x390	
150CWQ140-10-7.5	380	7.5	10	11	150-150	140	10	1450	45	182	570x460x1000	



Model	H	H1	B	A	ØD	ØC	N-Ød	ØE	Legend
50WQ10-10-0.75	440	130	180	240	/	/	/	50	1
50WQ10-10-0.75	440	130	180	240	/	/	/	50	1
65WQ15-10-1.1	470	145	175	250	/	/	/	65	1
65WQ15-15-1.5	485	145	175	250	/	/	/	65	1
65WQ15-15-1.5	485	145	175	250	/	/	/	65	1
50WQ10-10-0.75A	460	140	180	220	140	110	4-Ø9	50	2
50WQ10-10-0.75A	460	140	180	220	140	110	4-Ø9	50	2
WQ15-10-1.1A	470	140	170	220	140	110	4-Ø13.5	65	2
WQ15-15-1.5A	490	140	170	220	140	110	4-Ø13.5	65	2
50WQ9-22-2.2	590	170	208	270	140	110	4-Ø13.5	50	3
50WQ15-20-2.2	590	170	208	270	140	110	4-Ø13.5	50	3
65WQ25-17-2.2	590	170	208	270	160	130	4-Ø13.5	65	3
80WQ40-9-2.2	600	185	208	265	160	130	4-Ø13.5	80	3
50WQ15-26-3	610	195	208	270	140	110	4-Ø13.5	50	3
65WQ25-22-3	610	195	208	270	160	130	4-Ø13.5	65	3
80WQ40-13-3	650	195	210	260	190	150	4-Ø17.5	80	3
100WQ60-9-3	650	195	210	260	190	150	4-Ø17.5	100	3
65WQ25-28-4	670	190	230	295	160	130	4-Ø13.5	65	3
80WQ40-18-4	695	210	208	250	190	150	4-Ø17.5	80	3
100WQ60-13-4	695	210	208	250	190	150	4-Ø17.5	100	3
50WQ15-40-5.5	700	185	240	285	140	110	4-Ø13.5	50	3
80WQ30-30-5.5	715	200	215	285	190	150	4-Ø17.5	80	3
100WQ65-15-5.5	730	220	255	310	210	170	4-Ø17.5	100	3
100WQ65-22-7.5	825	270	275	340	210	170	4-Ø17.5	100	3
150WQ100-10-7.5	840	290	295	350	265	225	8-Ø17.5	150	3
100WQ65-15-5.5(4P)	920	320	375	470	210	170	4-Ø17.5	100	3
150WQ110-10-5.5 (4P)	940	320	380	470	265	225	8-Ø17.5	150	3
100WQ100-15-7.5 (4P)	940	320	410	525	210	170	4-Ø17.5	100	3
150WQ150-10-7.5 (4P)	960	320	385	500	265	225	8-Ø17.5	150	3
100WQ100-25-11 (4P)	980	300	430	530	210	170	4-Ø17.5	100	3
150WQ130-15-11 (4P)	1020	380	430	560	265	225	8-Ø17.5	150	3
200WQ300-7-11 (4P)	1020	380	430	575	320	280	8-Ø17.5	200	3
100WQ100-30-15 (4P)	1010	300	430	530	210	170	4-Ø17.5	100	3
150WQ130-20-15 (4P)	1060	380	430	550	265	225	8-Ø17.5	150	3
200WQ250-11-15 (4P)	1060	380	430	575	320	280	8-Ø17.5	200	3
150WQ180-20-18.5 (4P)	1130	390	430	550	265	225	8-Ø17.5	150	3
200WQ250-15-18.5 (4P)	1130	390	430	575	320	280	8-Ø17.5	200	3
150WQ180-25-22 (4P)	1160	390	430	550	265	225	8-Ø17.5	150	3
200WQ300-15-22 (4P)	1160	390	430	575	320	280	8-Ø17.5	200	3
150WQ180-30-30 (4P)	1170	400	500	600	265	225	8-Ø17.5	150	3
200WQ250-22-30 (4P)	1160	400	530	650	320	280	8-Ø17.5	200	3
250WQ600-9-30 (4P)	1230	420	570	670	375	335	8-Ø17.5	250	3
150WQ160-45-37 (4P)	1185	400	500	600	265	225	8-Ø17.5	150	3
200WQ350-25-37 (4P)	1170	400	530	650	320	280	8-Ø17.5	200	3
250WQ600-12-37 (4P)	1230	420	570	670	375	335	8-Ø17.5	250	3
200WQ380-28-45 (4P)	1250	400	530	650	320	280	8-Ø17.5	200	3
250WQ600-15-45 (4P)	1230	420	570	670	375	335	8-Ø17.5	250	3

Model	H	H1	B	A	ØD	ØC	N-Ød	ØE
50CWQ10-10-0.75	450	355	190	225	140	110	4-Ø14	50
50CWQ10-15-1.5	500	375	190	240	140	110	4-Ø14	50
50CWQ9-22-2.2	515	375	220	275	140	110	4-Ø14	50
65CWQ50-15-4	600	475	245	300	160	130	4-Ø14	65
80CWQ65-15-5.5	640	480	266	346	190	150	4-Ø18	80
150CWQ140-10-7.5	810	635	390	500	265	225	8-Ø18	150

XR

Application

- For water supply from wells or reservoirs.
- For domestic use, for civil and industrial applications.
- For garden use and irrigation.

Operating conditions

- Maximum fluid temperature up to +35°C
- Maximum sand content: 0.25%
- Maximum immersion: 80 m
- Minimum well diameter: 3"

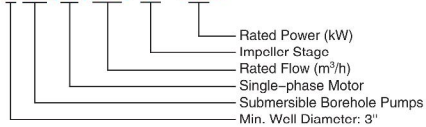
Motor and Pump

- Rewindable motor or full obturated screen motor
- **Three-phase:** 380V–415V/50Hz
- **Single-phase:** 220V–240V/50Hz
- Pumps are designed by casing stressed
- Curve tolerance according to ISO 9906

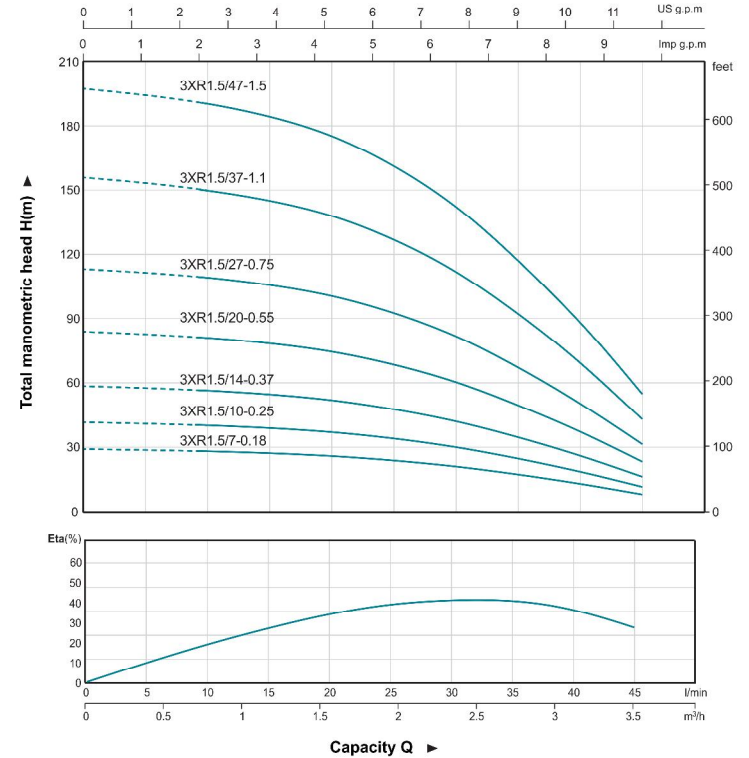


Components	Material
Pump external casing	AISI 304 SS
Delivery casing	Cast-Cu ASTM280
Surfion lantern	Cast-Cu ASTM280
Diffuser	PC
Impeller	PC
Shaft	① AISI 316 SS ② AISI 304 SS
Shaft coupling	① AISI 316 SS ② AISI 304 SS
Wear ring	AISI 304 SS
Motor external casing	AISI 304 SS
Top cover	Cast-Cu ASTM280
Bottom support	AISI 304 SS
Mechanical seal	Special seal for deep well (carbon-SiC/TC)
Shaft	AISI 304 SS-C1045
Bearing	NSK
Seal lubricant oil	Oil for food machinery and pharmaceutical use.

3XR(m)1.5/10-0.25



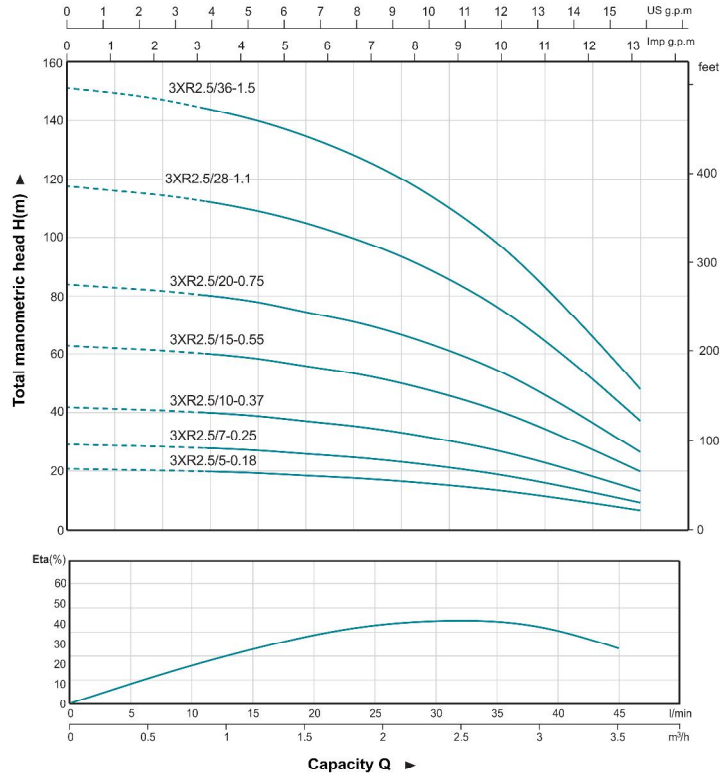
3XR 1.5



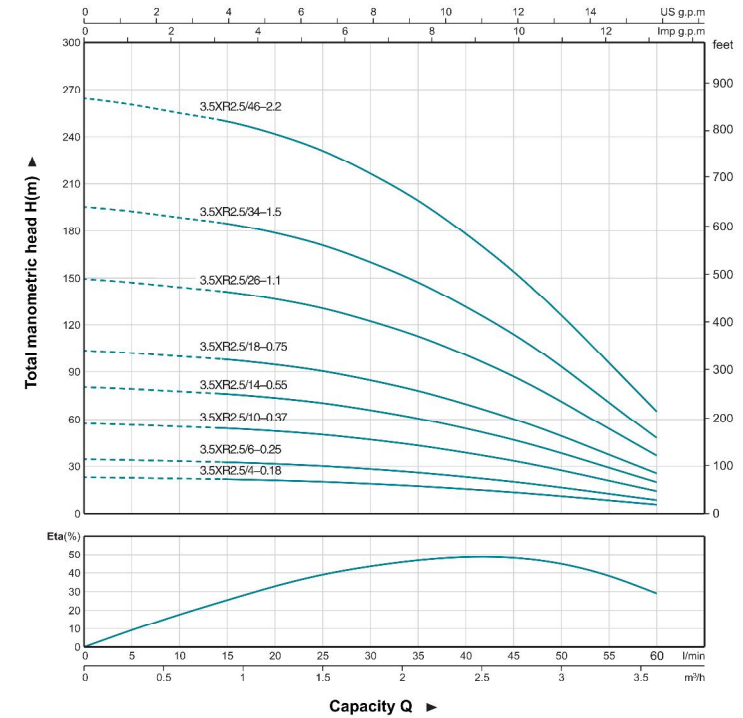
Technical Data

Model		P2		Delivery													
1 ~ 220V/240V	3 ~ 380V/415V	KW	HP	Q	H(m)												
					m³/h	0	0.3	0.6	0.9	1.2	1.5	1.8	2.1	2.4	2.7	3.0	3.3
				l/min	0	5	10	15	20	25	30	35	40	45	50	55	60
3XRm1.5/7-0.18	3XR1.5/7-0.18	0.18	0.25		29	29	28	27	26	24	21	17	13	8			
3XRm1.5/10-0.25	3XR1.5/10-0.25	0.25	0.33		42	41	40	39	37	34	30	25	19	12			
3XRm1.5/14-0.37	3XR1.5/14-0.37	0.37	0.5		59	58	57	55	52	48	42	35	26	16			
3XRm1.5/20-0.55	3XR1.5/20-0.55	0.55	0.75		84	83	81	78	74	69	60	50	37	23			
3XRm1.5/27-0.75	3XR1.5/27-0.75	0.75	1		113	111	109	106	101	92	82	67	51	32			
3XRm1.5/37-1.1	3XR1.5/37-1.1	1.1	1.5		155	153	150	145	138	127	112	92	69	43			
3XRm1.5/47-1.5	3XR1.5/47-1.5	1.5	2		197	194	190	184	175	161	142	117	88	55			

3XR2.5



3.5XR 2.5



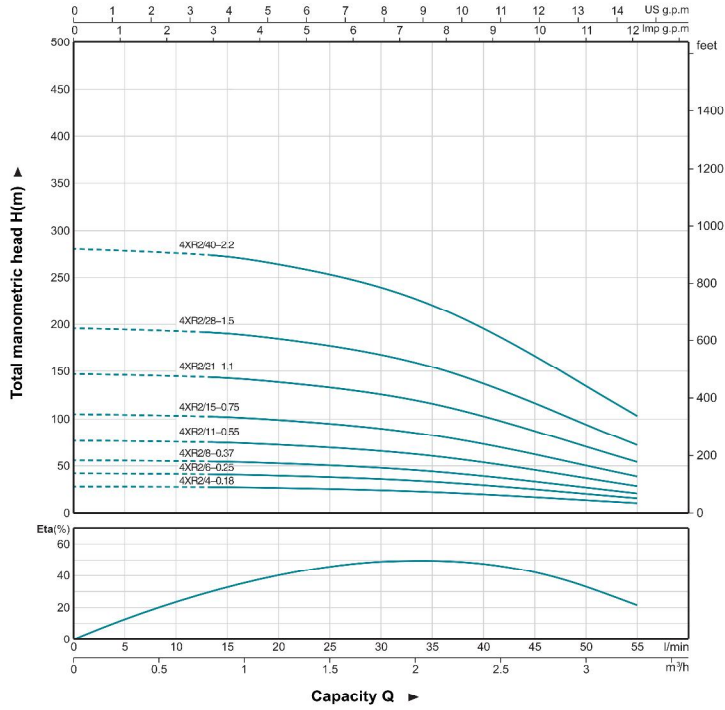
Technical Data

Model		P ₂		Delivery													
1 ~ 220V/240V	3 ~ 380V/415V	KW	HP	Q	H(m)												
					m³/h	0	0.3	0.6	0.9	1.2	1.5	1.8	2.1	2.4	2.7	3.0	3.3
				l/min	0	5	10	15	20	25	30	35	40	45	50	55	60
3XRm2.5/5-0.18	3XR2.5/5-0.18	0.18	0.25	H(m)	21	21	20	20	19	19	18	17	15	14	12	9	7
3XRm2.5/7-0.25	3XR2.5/7-0.25	0.25	0.33		29	29	29	28	27	26	25	23	21	19	16	13	9
3XRm2.5/10-0.37	3XR2.5/10-0.37	0.37	0.5		42	41	41	40	39	37	36	33	31	27	23	18	13
3XRm2.5/15-0.55	3XR2.5/15-0.55	0.55	0.75		63	62	61	60	58	56	53	50	46	41	35	27	20
3XRm2.5/20-0.75	3XR2.5/20-0.75	0.75	1		84	83	82	80	78	74	71	67	61	54	46	37	27
3XRm2.5/28-1.1	3XR2.5/28-1.1	1.1	1.5		117	116	114	112	109	104	100	93	86	76	65	51	37
3XRm2.5/36-1.5	3XR2.5/36-1.5	1.5	2		151	149	147	144	140	134	128	120	110	98	83	66	48

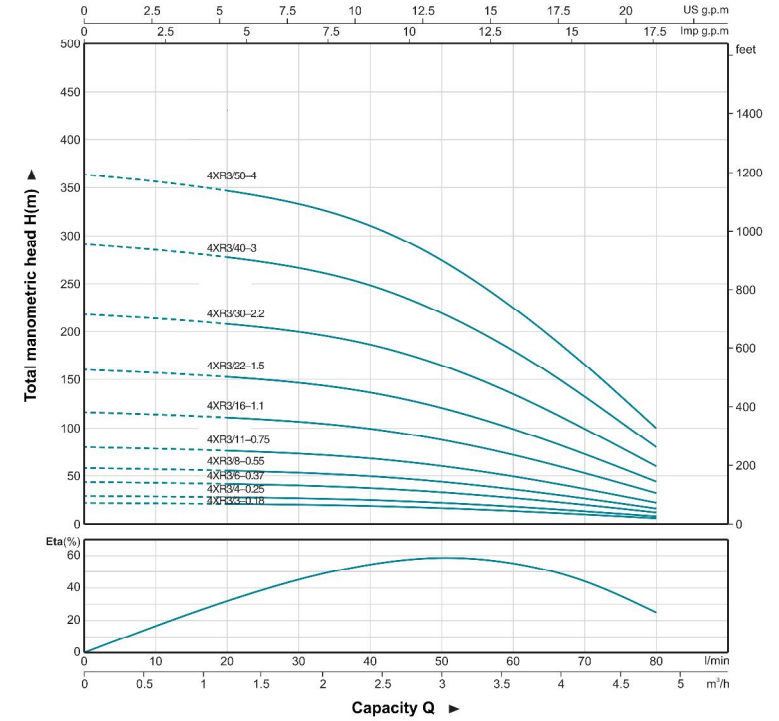
Technical Data

Model		P ₂		Delivery																	
1 ~ 220V/240V	3 ~ 380V/415V	KW	HP	Q	H(m)																
					m³/h	0	0.3	0.6	0.9	1.2	1.5	1.8	2.1	2.4	2.7	3.0	3.3	3.6			
				l/min	0	5	10	15	20	25	30	35	40	45	50	55	60				
3.5XRm2.5/4-0.18	3.5XR2.5/4-0.18	0.18	0.25	H(m)	23	22	22	21	21	20	19	17	15	13	11	8	6				
3.5XRm2.5/6-0.25	3.5XR2.5/6-0.25	0.25	0.33		34	34	33	32	31	30	28	26	23	20	16	12	8				
3.5XRm2.5/10-0.37	3.5XR2.5/10-0.37	0.37	0.5		57	56	55	54	52	50	47	43	38	33	27	21	14				
3.5XRm2.5/14-0.55	3.5XR2.5/14-0.55	0.55	0.75		80	79	77	75	73	70	65	60	54	46	38	29	19				
3.5XRm2.5/18-0.75	3.5XR2.5/18-0.75	0.75	1		103	101	99	97	94	90	84	77	69	59	49	37	25				
3.5XRm2.5/26-1.1	3.5XR2.5/26-1.1	1.1	1.5		148	146	142	140	135	129	121	111	99	86	71	54	36				
3.5XRm2.5/34-1.5	3.5XR2.5/34-1.5	1.5	2		194	191	186	183	177	169	158	146	130	112	92	70	47				
	3.5XR2.5/46-2.2	2.2	3		262	258	252	247	239	229	214	197	176	152	125	95	64				

4XR 2



4XR 3



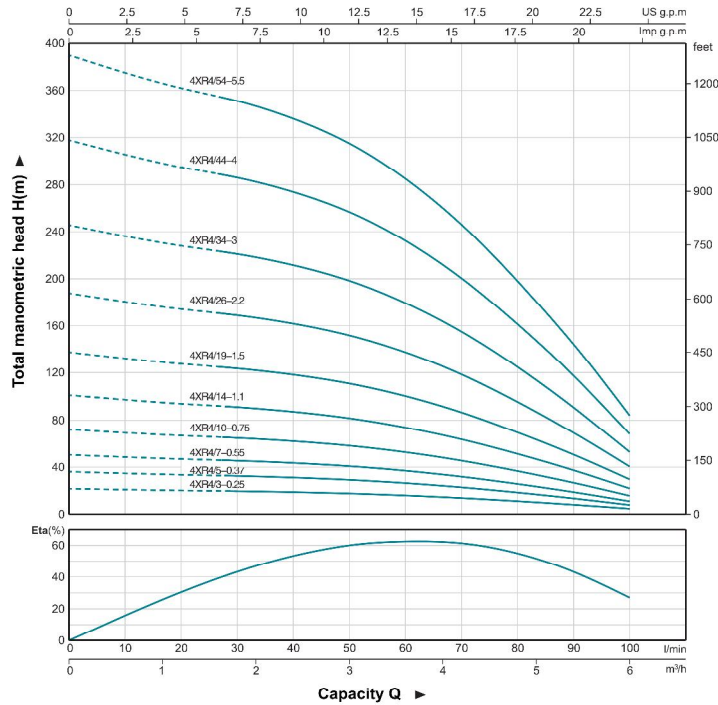
Technical Data

Model		P ₂		Q	Delivery												
1 ~ 220V/240V	3 ~ 380V/415V	KW	HP		H(m)												
					m³/h	0	0.3	0.6	0.9	1.2	1.5	1.8	2.1	2.4	2.7	3.0	3.3
				l/min	0	5	10	15	20	25	30	35	40	45	50	55	
4XRm2/4-0.18	4XR2/4-0.18	0.18	0.25	H(m)	28	28	28	27	26	25	24	22	20	17	13	10	
4XRm2/6-0.25	4XR2/6-0.25	0.25	0.33		42	42	41	41	40	38	36	33	29	25	20	15	
4XRm2/8-0.37	4XR2/8-0.37	0.37	0.5		56	56	55	54	53	51	48	44	39	33	27	21	
4XRm2/11-0.55	4XR2/11-0.55	0.55	0.75		77	76	76	75	73	70	66	61	54	46	37	28	
4XRm2/15-0.75	4XR2/15-0.75	0.75	1		105	104	103	102	99	95	90	83	73	62	50	39	
4XRm2/21-1.1	4XR2/21-1.1	1.1	1.5		147	146	145	143	138	133	126	116	103	87	71	54	
4XRm2/28-1.5	4XR2/28-1.5	1.5	2		196	195	193	190	185	177	168	154	137	116	94	72	
-	4XR2/40-2.2	2.2	3		280	278	276	272	264	253	239	221	196	166	134	103	

Technical Data

Model		P ₂		Q	Delivery												
1 ~ 220V/240V	3 ~ 380V/415V	KW	HP		H(m)												
					m³/h	0	0.6	1.2	1.8	2.4	3.0	3.6	4.2	4.8			
				l/min	0	10	20	30	40	50	60	70	80				
4XRm3/3-0.18	4XR3/3-0.18	0.18	0.25	H(m)	22	21	21	20	19	16	13	10	6				
4XRm3/4-0.25	4XR3/4-0.25	0.25	0.33		29	29	28	27	25	22	18	13	8				
4XRm3/6-0.37	4XR3/6-0.37	0.37	0.5		44	43	42	40	37	33	27	20	12				
4XRm3/8-0.55	4XR3/8-0.55	0.55	0.75		58	57	55	53	50	44	36	26	16				
4XRm3/11-0.75	4XR3/11-0.75	0.75	1		80	78	76	73	68	60	49	36	22				
4XRm3/16-1.1	4XR3/16-1.1	1.1	1.5		116	114	111	107	99	88	72	53	32				
4XRm3/22-1.5	4XR3/22-1.5	1.5	2		160	157	153	147	137	121	99	73	44				
4XRm3/30-2.2	4XR3/30-2.2	2.2	3		218	214	208	200	186	165	135	99	60				
-	4XR3/40-3	3	4		291	285	277	266	248	219	180	132	80				
-	4XR3/50-4	4	5.5		364	356	347	333	310	274	225	165	100				

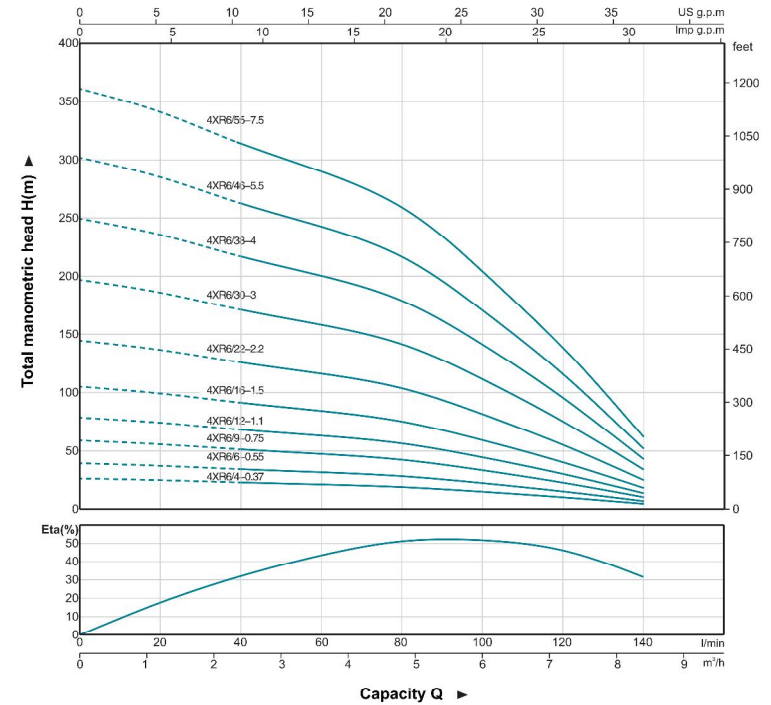
4XR 4



Technical Data

Model		P ₂		Q	Delivery										
1 ~ 220V/240V	3 ~ 380V/415V	KW	HP		H(m)										
					0	0.6	1.2	1.8	2.4	3.0	3.6	4.2	4.8	5.4	6.0
				0	10	20	30	40	50	60	70	80	90	100	
4XRm4/3-0.25	4XR4/3-0.25	0.25	0.33	22	21	20	19	19	17	16	14	11	8	5	
4XRm4/5-0.37	4XR4/5-0.37	0.37	0.5	36	35	34	32	31	29	26	23	18	13	8	
4XRm4/7-0.55	4XR4/7-0.55	0.55	0.75	51	49	47	45	44	41	37	32	26	19	11	
4XRm4/10-0.75	4XR4/10-0.75	0.75	1	72	69	67	65	62	58	53	46	37	27	16	
4XRm4/14-1.1	4XR4/14-1.1	1.1	1.5	101	97	94	91	87	82	74	64	51	37	22	
4XRm4/19-1.5	4XR4/19-1.5	1.5	2	137	132	127	124	118	111	100	87	70	51	30	
4XRm4/26-2.2	4XR4/26-2.2	2.2	3	188	181	174	169	162	152	137	118	95	69	40	
-	4XR4/34-3	3	4	246	236	228	221	212	198	179	155	125	91	53	
-	4XR4/44-4	4	5.5	318	306	295	286	274	257	232	200	161	117	68	
-	4XR4/54-5.5	5.5	7.5	390	375	362	351	336	315	285	246	198	144	84	

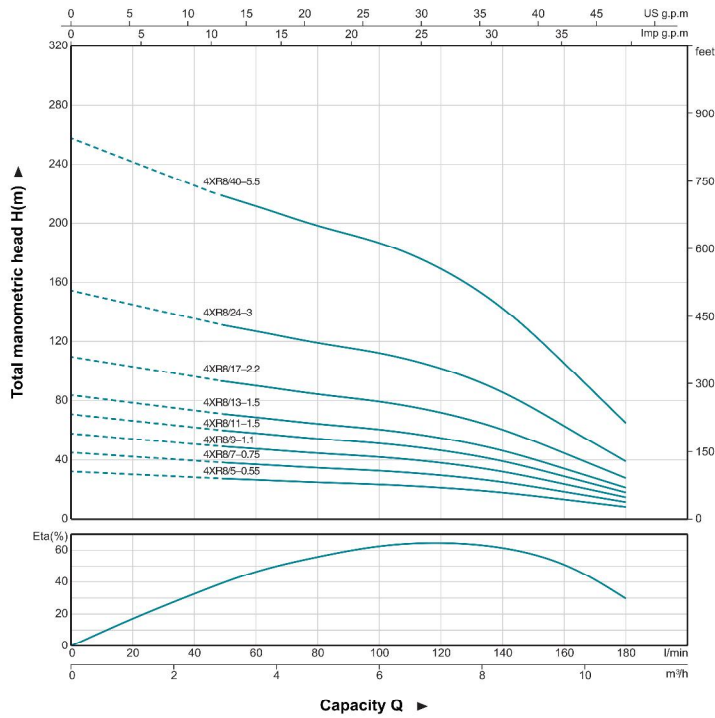
4XR 6



Technical Data

Model		P ₂		Q	Delivery										
1 ~ 220V/240V	3 ~ 380V/415V	KW	HP		H(m)										
					0	1.2	2.4	3.6	4.8	6.0	7.2	8.4			
				0	20	40	60	80	100	120	140				
4XRm6/4-0.37	4XR6/4-0.37	0.37	0.5	26	25	23	21	19	15	10	5				
4XRm6/6-0.55	4XR6/6-0.55	0.55	0.75	39	37	34	32	28	22	15	7				
4XRm6/9-0.75	4XR6/9-0.75	0.75	1	59	56	51	47	42	33	23	10				
4XRm6/12-1.1	4XR6/12-1.1	1.1	1.5	79	74	69	63	57	45	30	14				
4XRm6/16-1.6	4XR6/16-1.6	1.6	2	105	99	91	84	75	59	40	18				
4XRm6/22-2.2	4XR6/22-2.2	2.2	3	144	136	126	116	104	82	55	25				
-	4XR6/30-3	3	4	197	186	171	158	141	111	75	34				
-	4XR6/38-4	4	5.5	249	236	217	200	179	141	95	43				
-	4XR6/46-5.5	5.5	7.5	302	285	263	243	217	171	115	52				
-	4XR6/55-7.5	7.5	10	361	341	314	290	259	204	138	62				

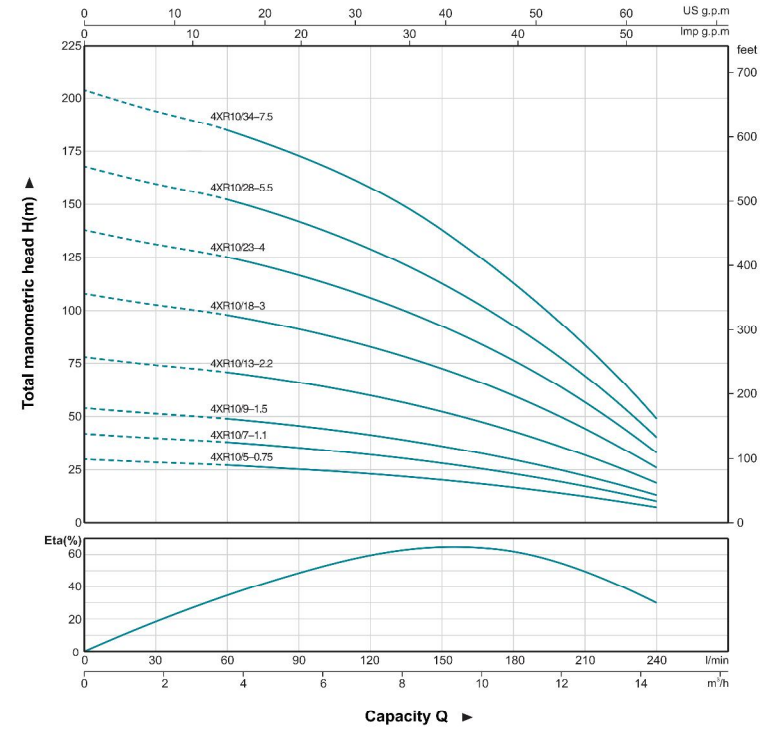
4XR 8



Technical Data

Model	P ₂	Delivery												
		Q	0	1.2	2.4	3.6	4.8	6.0	7.2	8.4	9.6	10.8		
1-220V/240V	3-380V/415V	KW	HP	m³/h	0	20	40	60	80	100	120	140	160	180
4XRm8/5-0.55	4XR8/5-0.55	0.55	0.75	H(m)	32	30	28	26	25	23	21	18	13	8
4XRm8/7-0.75	4XR8/7-0.75	0.75	1		45	42	39	37	35	33	30	25	18	11
4XRm8/9-1.1	4XR8/9-1.1	1.1	1.5		58	54	51	48	45	42	38	32	24	15
4XRm8/13-1.5	4XR8/13-1.5	1.5	2		84	79	73	69	64	61	55	46	34	21
4XRm8/17-2.2	4XR8/17-2.2	2.2	3		109	103	96	90	84	79	72	61	45	28
-	4XR8/24-3	3	4		155	145	135	127	119	112	101	85	63	39
-	4XR8/40-5.5	5.5	7.5		258	242	225	212	198	187	169	143	105	65

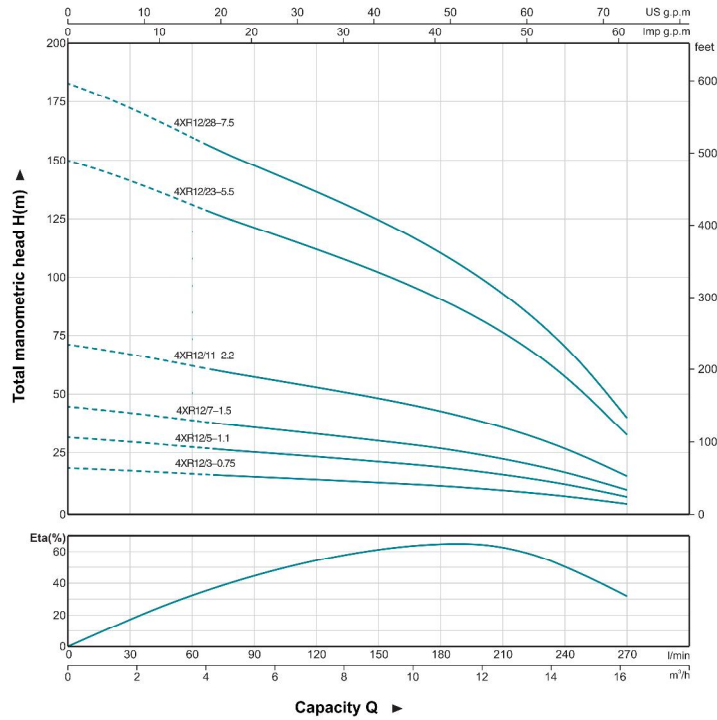
4XR 10



Technical Data

Model	P ₂	Delivery													
		Q	0	1.8	3.6	5.4	7.2	9.0	10.8	12.6	14.4				
1-220V/240V	3-380V/415V	KW	HP	m³/h	0	30	60	90	120	150	180	210	240		
4XRm10/5-0.75	4XR10/5-0.75	0.75	1	H(m)	30	29	27	25	23	20	17	12	7		
4XRm10/7-1.1	4XR10/7-1.1	1.1	1.5		42	40	38	35	33	28	23	17	10		
4XRm10/9-1.5	4XR10/9-1.5	1.5	2		54	51	49	46	42	37	30	22	13		
4XRm10/13-2.2	4XR10/13-2.2	2.2	3		78	74	71	66	61	53	44	32	19		
-	4XR10/18-3	3	4		108	103	98	91	84	73	60	45	26		
-	4XR10/23-4	4	5.5		138	131	125	116	108	93	77	57	33		
-	4XR10/28-5.5	5.5	7.5		168	160	152	142	131	114	94	70	40		
-	4XR10/34-7.5	7.5	10		204	194	185	172	159	138	114	85	49		

4XR 12



Technical Data

Model		P ₂		Delivery													
1 ~ 220V/240V	3 ~ 380V/415V	KW	HP	Q	H _(m)												
					0	1.8	3.6	5.4	7.2	9.0	10.8	12.6	14.4	16.2			
4XRm12/3-0.75	4XR12/3-0.75	0.75	1	0	30	60	90	120	150	180	210	240	270				
4XRm12/5-1.1	4XR12/5-1.1	1.1	1.5	20	19	17	16	15	13	12	10	8	4				
4XRm12/7-1.5	4XR12/7-1.5	1.5	2	33	31	29	26	24	22	20	17	13	7				
4XRm12/11-2.2	4XR12/11-2.2	2.2	3	46	43	40	37	34	31	28	23	18	10				
-	4XR12/23-5.5	5.5	7.5	72	68	63	58	54	49	44	37	28	16				
-	4XR12/28-7.5	7.5	10	150	142	131	122	113	103	92	77	58	34				
				183	173	160	148	137	125	112	94	71	41				

4XRS

Application

- For water supply from wells or reservoirs.
- For domestic use, for civil and industrial applications.
- For garden use and irrigation.

Operating conditions

- Maximum fluid temperature up to +50°C
- Maximum sand content: 0.25%
- Maximum immersion: 80m
- Minimum well diameter: 4"

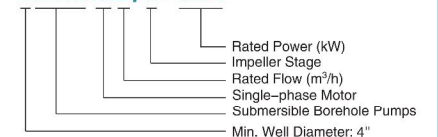
Motor and Pump

- Rewindable motor or full obliterated screen motor
- **Three-phase:** 380V-415V/50Hz
- **Single-phase:** 220V-240V/50Hz
- Equip with start control box or digital auto-control box
- **NEMA** dimension standards
- Curve tolerance according to ISO 9906

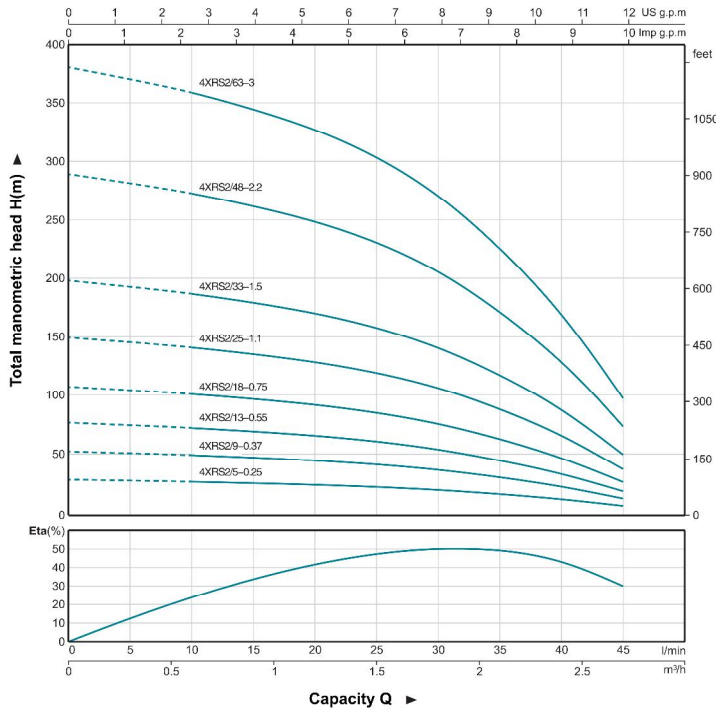


Components	Material
Delivery casing	① AISI 304 SS ② AISI 316 SS
Check valve	① AISI 304 SS ② AISI 316 SS
Suction lantern	① AISI 304 SS ② AISI 316 SS
Stage casing	① AISI 304 SS ② AISI 316 SS
Impeller	① AISI 304 SS ② AISI 316 SS
Shaft	① AISI 316 SS ② AISI 304 SS
Shaft coupling	① AISI 316 SS ② AISI 304 SS
Wear ring	Rubber
Motor external casing	AISI 304SS
Top chock	① Cast-Cu ASTM280 ② Cast-iron G20 UNI5007
Bottom support	AISI 304SS
Mechanical seal	Special seal for deep well (carbon-SiC/TC)
Shaft	AISI 304SS-C1045
Bearing	NSK
Seal lubricant oil	Oil for food machinery and pharmaceutical use.

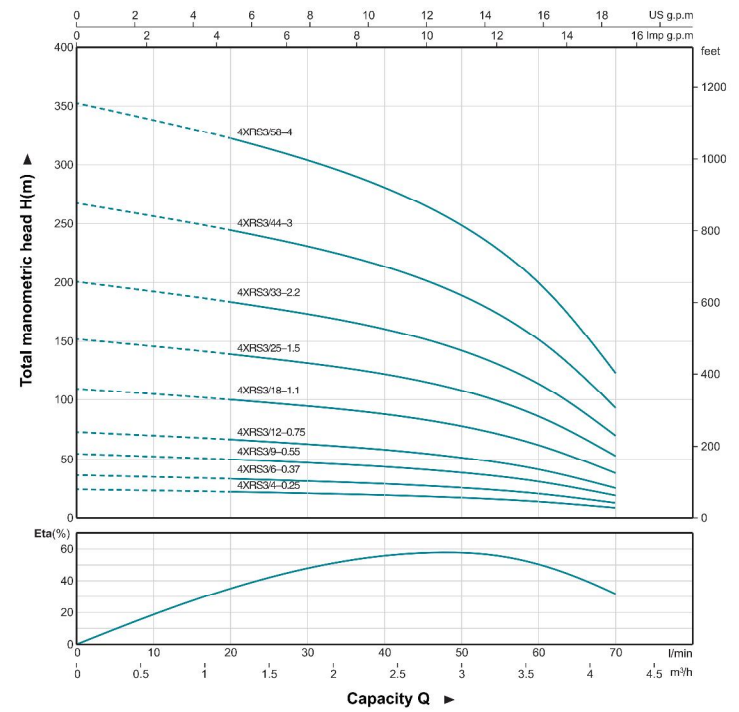
4XRSm2/9-0.37



4XRS2



4XRS3



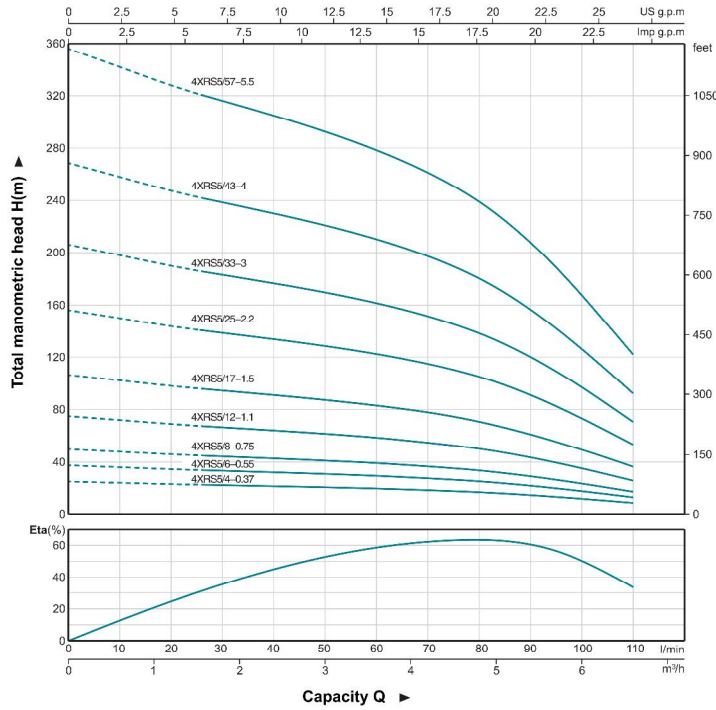
Technical Data

Model		P ₂		Q	Delivery									
1 ~ 220V/240V	3 ~ 380V/415V	KW	HP		H(m)									
					m³/h	0	0.3	0.6	0.9	1.2	1.5	1.8	2.1	2.4
				l/min	0	5	10	15	20	25	30	35	40	45
4XRSm2/5-0.25	4XRS2/5-0.25	0.25	0.33	H(m)	30	29	28	27	25	24	21	18	13	8
4XRSm2/9-0.37	4XRS2/9-0.37	0.37	0.5		53	52	50	48	46	43	38	32	24	14
4XRSm2/13-0.55	4XRS2/13-0.55	0.55	0.75		77	75	73	70	66	61	55	46	34	20
4XRSm2/18-0.75	4XRS2/18-0.75	0.75	1		107	104	101	97	92	85	76	63	48	28
4XRSm2/25-1.1	4XRS2/25-1.1	1.1	1.5		148	144	140	134	127	118	106	88	66	38
4XRSm2/33-1.5	4XRS2/33-1.5	1.5	2		195	190	184	177	168	156	139	116	87	51
4XRSm2/48-2.2	4XRS2/48-2.2	2.2	3		284	277	268	258	245	227	203	169	127	74
-	4XRS2/63-3	3	4		373	363	352	338	321	298	266	222	167	97

Technical Data

Model		P ₂		Q	Delivery									
1 ~ 220V/240V	3 ~ 380V/415V	KW	HP		H(m)									
					m³/h	0	0.6	1.2	1.8	2.4	3.0	3.6	4.2	
				l/min	0	10	20	30	40	50	60	70		
4XRSm3/4-0.25	4XRS3/4-0.25	0.25	0.33	H(m)	24	23	22	21	19	17	14	8		
4XRSm3/6-0.37	4XRS3/6-0.37	0.37	0.5		36	35	33	31	29	26	21	13		
4XRSm3/9-0.55	4XRS3/9-0.55	0.55	0.75		55	52	50	47	44	39	31	19		
4XRSm3/12-0.75	4XRS3/12-0.75	0.75	1		73	70	67	63	58	51	41	25		
4XRSm3/18-1.1	4XRS3/18-1.1	1.1	1.5		109	105	100	94	87	77	62	38		
4XRSm3/25-1.5	4XRS3/25-1.5	1.5	2		152	146	139	131	121	107	86	53		
4XRSm3/33-2.2	4XRS3/33-2.2	2.2	3		201	192	183	173	160	142	114	70		
-	4XRS3/44-3	3	4		267	256	245	230	213	189	151	93		
-	4XRS3/58-4	4	5.5		352	338	322	303	281	249	200	123		

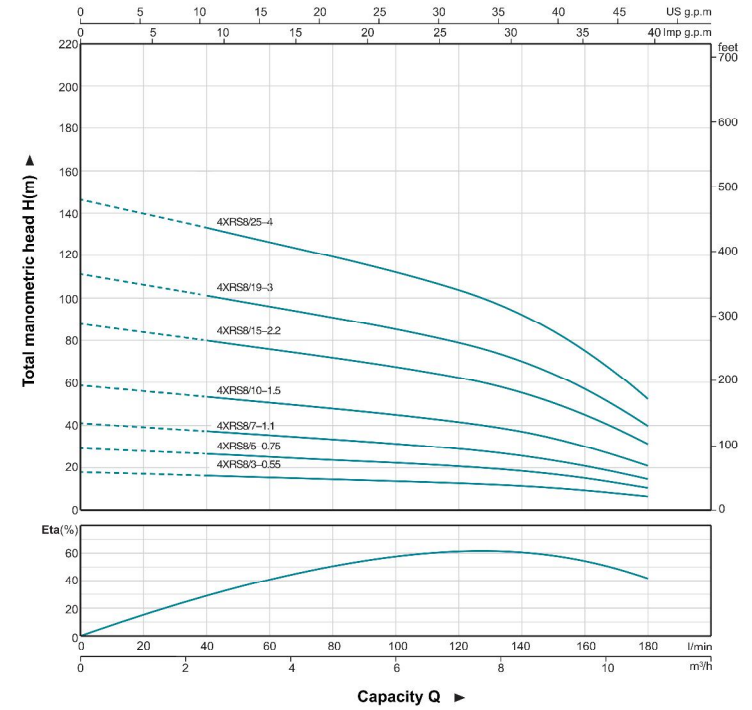
4XRS5



Technical Data

Model		P ₂		Delivery													
1 ~ 220V/240V	3 ~ 380V/415V	KW	HP	Q	m³/h												
					0	0.6	1.2	1.8	2.4	3.0	3.6	4.2	4.8	5.4	6.0	6.6	
				0	10	20	30	40	50	60	70	80	90	100	110		
4XRSm5/4-0.37	4XRS5/4-0.37	0.37	0.5	H(m)	25	24	23	22	21	21	20	18	17	15	12	9	
4XRSm5/6-0.55	4XRS5/6-0.55	0.55	0.75		37	36	35	33	32	31	29	27	25	22	18	13	
4XRSm5/8-0.75	4XRS5/8-0.75	0.75	1		50	48	46	44	43	41	39	37	34	29	23	17	
4XRSm5/12-1.1	4XRS5/12-1.1	1.1	1.5		75	72	69	67	64	62	59	55	50	44	35	26	
4XRSm5/17-1.5	4XRS5/17-1.5	1.5	2		108	102	98	94	91	87	83	78	71	62	50	36	
4XRSm5/25-2.2	4XRS5/25-2.2	2.2	3		156	150	144	139	134	129	122	114	105	91	73	54	
-	4XRS5/33-3	3	4		206	198	190	183	177	170	162	151	138	120	97	71	
-	4XRS5/43-4	4	5.5		269	258	247	238	230	221	210	197	180	156	126	92	
-	4XRS5/57-5.5	5.5	7.5		356	342	328	316	305	293	279	261	239	207	167	122	

4XRS8



Technical Data

Model		P ₂		Delivery													
1 ~ 220V/240V	3 ~ 380V/415V	KW	HP	Q	m³/h												
					0	1.2	2.4	3.6	4.8	6.0	7.2	8.4	9.6	10.8			
				0	20	40	60	80	100	120	140	160	180				
4XRSm8/3-0.55	4XRS8/3-0.55	0.55	0.75	H(m)	18	17	16	15	14	13	12	11	9	6			
4XRSm8/5-0.75	4XRS8/5-0.75	0.75	1		29	28	27	25	24	22	21	19	15	10			
4XRSm8/7-1.1	4XRS8/7-1.1	1.1	1.5		41	39	37	35	33	31	29	26	21	15			
4XRSm8/10-1.5	4XRS8/10-1.5	1.5	2		59	56	53	50	47	45	41	37	30	21			
4XRSm8/15-2.2	4XRS8/15-2.2	2.2	3		88	84	80	75	71	67	62	56	45	31			
-	4XRS8/19-3	3	4		111	106	101	96	90	85	79	71	58	40			
-	4XRS8/25-4	4	5.5		146	140	133	126	119	111	104	93	76	52			

4DWG

Application

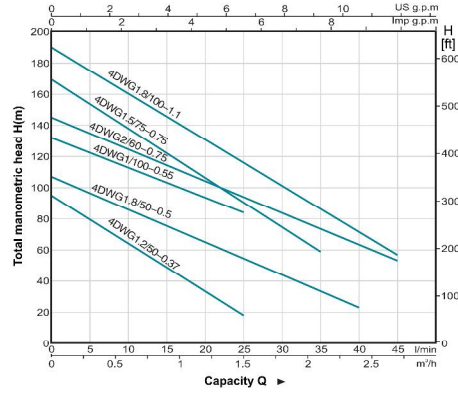
- For water supply from wells or reservoirs.
- For domestic use, for civil and industrial applications.
- For garden use and irrigation.

Operating conditions

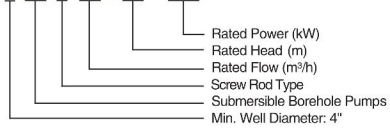
- Maximum sand content: 3%
- Maximum immersion: 15 m
- Minimum well diameter: 4"

Motor and Pump

- Rewindable motor
- **Three-phase:** 380V–415V/50Hz
- **Single-phase:** 220V–240V/50Hz
- Equip with start control box or digital auto-control box



4DWG1.2/50-0.37



Components	Material
Delivery casing	AISI 304 SS
Strainer	AISI 304 SS
Motor external casing	AISI 304 SS
Top cover	Cast-iron G20 UNI5007
Bottom support	AISI 304 SS
Mechanical seal	Special seal for deep well(carbon-SiC/TiC)
Shaft	AISI 304SS-C1045
Bearing	NSK



MA



Technical Data

Model	P ₂		Capacity (m³/h)	Head (m)	Outlet (inch)	Speed (1/min)	Dimension (mm)	
	KW	HP					∅D	L
4DWGm1.2/50-0.37	0.37	0.5	1.2	50	1"	2850	96	540
4DWGm1.8/50-0.5	0.5	0.7	1.8	50	1"	2850	96	560
4DWGm1.5/60-0.55	0.55	0.75	1.5	60	1"	2850	96	580
4DWGm1/100-0.55	0.55	0.75	1	100	1"	2850	96	580
4DWGm1.2/100-0.75	0.75	1	1.2	100	1"	2850	96	620
4DWGm1.5/75-0.75	0.75	1	1.5	75	1"	2850	96	600
4DWGm2/60-0.75	0.75	1	2	60	1"	2850	96	600
4DWGm1.2/150-1.1	1.1	1.5	1.2	150	1"	2850	96	680
4DWGm1.5/120-1.1	1.1	1.5	1.5	120	1"	2850	96	680
4DWGm1.8/100-1.1	1.1	1.5	1.8	100	1"	2850	96	680

4DWP

Application

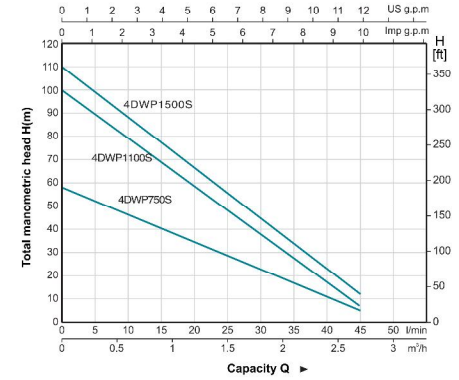
- For water supply from wells or reservoirs.
- For domestic use, for civil and industrial applications.
- For garden use and irrigation.

Operating conditions

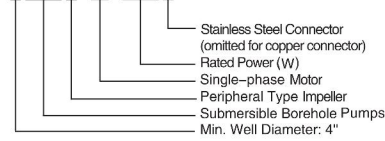
- Maximum fluid temperature up to +40°C
- Maximum sand content: 0.15%
- Maximum immersion: 50 m
- Minimum well diameter: 4"

Motor and Pump

- Rewindable motor
- **Three-phase:** 380V–415V/50Hz
- **Single-phase:** 220V–240V/50Hz
- Equip with start control box or digital auto-control box
- Curve tolerance according to ISO 2548



4DWP(m)750S



Components	Material
Delivery casing	AISI 201 SS
Suction lantern	AISI 201 SS
Diffuser	AISI 201 SS
Impeller	Cast-Cu ASTM290
Strainer	AISI 304 SS
Motor external casing	AISI 304 SS
Top check	① Cast-Cu ASTM290 ② Cast Iron G20 UNI5007
Bottom support	AISI 304 SS
Mechanical seal	Carbon/ceramic
Shaft	AISI 304ss-C1045
Bearing	NSK
Seal Lubricant oil	Oil for food machinery and pharmaceutical use.



MD



Technical Data

Model	P ₂		Delivery											
	KW	HP	Q	m³/h	0	0.3	0.6	0.9	1.2	1.5	1.8	2.1	2.4	2.7
4DWPm750S	0.75	1	H(m)	0	5	10	15	20	25	30	35	40	45	
				58	52	46	40	34	28	22	16	10	5	
4DWPm1100S	1.1	1.5	H(m)	0	89	79	69	59	48	38	28	17	7	
				110	99	88	78	67	56	45	34	23	12	
4DWPm1500S	1.5	2	H(m)	0	110	99	88	78	67	56	45	34	23	12

4DW

Submersible Borehole Pumps

4DW

Application

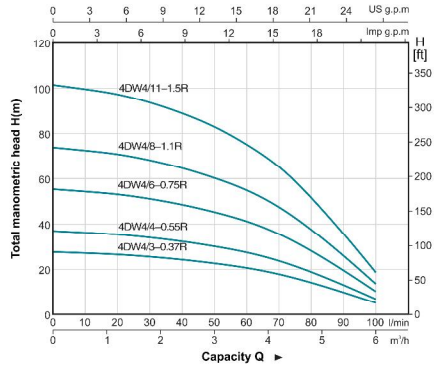
- For water supply from wells or reservoirs.
- For domestic use, for civil and industrial applications.
- For garden use and irrigation.

Operating conditions

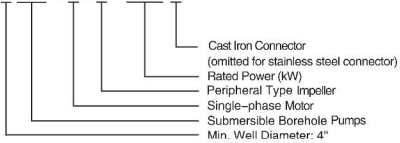
- Maximum fluid temperature up to +35°C
- Maximum sand content: 0.15%
- Maximum immersion: 50 m
- Minimum well diameter: 4"

Motor and Pump

- Rewindable motor
- **Three-phase:** 380V–415V/50Hz
- **Single-phase:** 220V–240V/50Hz
- Equip with start control box or digital auto-control box
- Pumps are designed by casing stressed
- Curve tolerance according to ISO 2548



4DW(m)4-0.37R



Components	Material
Delivery casing	Cast iron G20 UNI5007
Suction lantern	Cast iron G20 UNI5007
Diffuser	PC
Impeller	PCM
Motor external casing	AISI 304 SS
Top chock	Cast iron G20 UNI5007
Bottom support	AISI 304 SS
Mechanical seal	Carbon/ceramic
Shaft	AISI 304SS-C1045
Bearing	NSK
Seal lubricant oil	Oil for food machinery and pharmaceutical use.



4DW2

Application

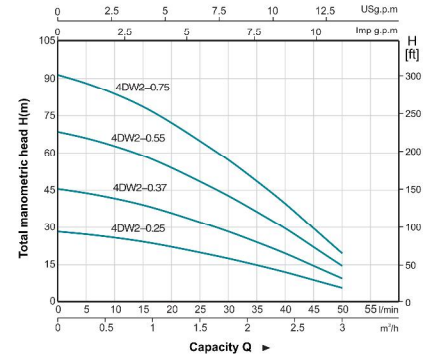
- For water supply from wells or reservoirs.
- For domestic use, for civil and industrial applications.
- For garden use and irrigation.

Operating conditions

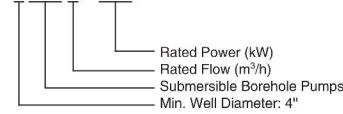
- Maximum fluid temperature up to +35°C
- Maximum sand content: 0.15%
- Maximum immersion: 50 m
- Minimum well diameter: 4"

Motor and Pump

- Rewindable motor
- **Three-phase:** 380V–415V/50Hz
- **Single-phase:** 220V–240V/50Hz
- Equip with start control box or digital auto-control box
- Pumps are designed by casing stressed
- Curve tolerance according to ISO 2548



4DW2-0.75



Components	Material
Delivery casing	AISI 304 SS
Suction lantern	AISI 304 SS
Diffuser	PC
Impeller	PPO
Strainer	AISI 304 SS
Motor external casing	Cast iron G20 UNI5007
Top chock	Cast-aluminum
Bottom support	AISI 304 SS
Mechanical seal	Carbon/ceramic
Shaft	AISI 304SS-C1045
Bearing	NSK
Seal lubricant oil	Oil for food machinery and pharmaceutical use.



Technical Data

Model	P ₂		Delivery											
	KW	HP	Q	0	0.6	1.2	1.8	2.4	3.0	3.6	4.2	4.8	5.4	6
1 ~ 220V/240V			m³/h	0	10	20	30	40	50	60	70	80	90	100
4DWm4-0.37R	0.37	0.5	H(m)	28	27	26	25	24	22	20	18	14	10	5
4DWm4-0.55R	0.55	0.75		37	36	35	34	32	29	27	24	19	13	7
4DWm4-0.75R	0.75	1		55	55	52	51	47	44	41	35	28	20	10
4DWm4-1.1R	1.1	1.5		73	73	70	68	63	59	55	47	38	26	14
4DWm4-1.5R	1.5	2		101	100	96	93	87	81	75	65	52	36	19

Technical Data

Model	P ₂		Delivery											
	KW	HP	Q	0	0.3	0.6	0.9	1.2	1.5	1.8	2.1	2.4	2.7	3.0
1 ~ 220V/240V			m³/h	0	5	10	15	20	25	30	35	40	45	50
4DWm2-0.25	0.25	0.33	H(m)	29	28	26	25	23	20	18	15	13	9	6
4DWm2-0.37	0.37	0.55		46	45	42	40	37	33	29	25	20	15	10
4DWm2-0.55	0.55	0.75		69	67	63	59	55	49	44	37	30	23	15
4DWm2-0.75	0.75	1		92	89	84	79	73	65	58	49	40	30	20

5DW

Submersible Borehole Pumps



5DW

Application

- For water supply from wells or reservoirs.
- For domestic use, for civil and industrial applications.
- For garden use and irrigation.

Operating conditions

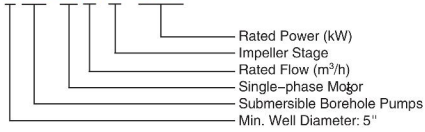
- Maximum fluid temperature up to +35°C
- Minimum immersion: 100 mm
- Maximum immersion: 20 m
- Minimum well diameter: 5"

Motor and Pump

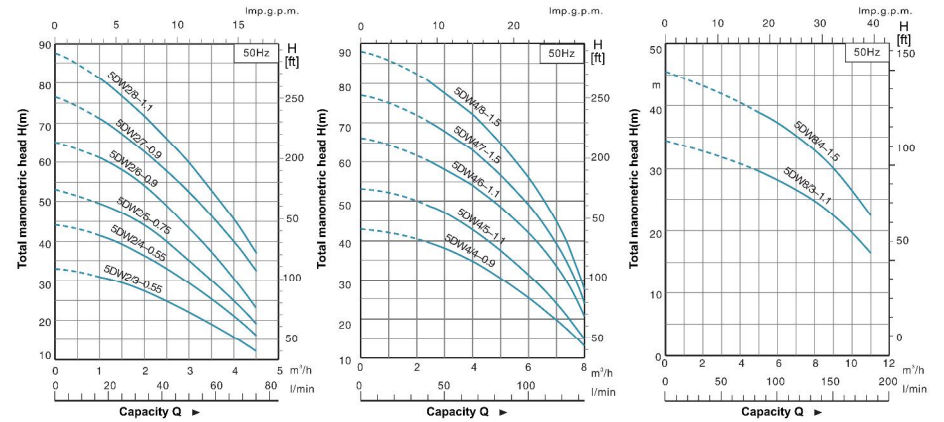
- Rewindable motor
- **Three-phase:** 380V–415V/50Hz
- **Single-phase:** 220V–240V/50Hz
- Cable length: 15 m
- Insulation class: F
- Protection class: IP68



5DWm2/3-0.55



Hydraulic Performance Curve



Technical Data

Model		P ₂		Q m ³ /h									
3~	1~	kW	HP	0	1	1.5	2	2.5	3	3.5	4	4.5	
5DW23-0.55	5DWm23-0.55	0.55	0.75	33	31	29.5	27.5	25	22	19	16	12	
5DW24-0.55	5DWm24-0.55	0.55	0.75	44	41.5	39.5	36.5	33.5	29.5	25.5	21	16	
5DW25-0.75	5DWm25-0.75	0.75	1	53	49.5	47	44	40	35	30	25	19	
5DW26-0.9	5DWm26-0.9	0.9	1.2	65	61	58	54	49	43	37	30.5	23	
5DW27-0.9	5DWm27-0.9	0.9	1.2	76.5	71	67.5	62.5	57.5	52.5	46	40	32.5	
5DW28-1.1	5DWm28-1.1	1.1	1.5	87.5	81	77	71.5	66	60	52.5	46	37	

Model		P ₂		Q m ³ /h									
3~	1~	kW	HP	0	2.5	3	3.5	4	4.5	5	6	7	8
5DW44-0.9	5DWm44-0.9	0.9	1.2	43	39	38	36.5	35	33	30	25.5	19.5	13
5DW45-1.1	5DWm45-1.1	1.1	1.5	53	48	46.5	45	43	40	37.5	32	24	15
5DW46-1.1	5DWm46-1.1	1.1	1.5	66	60	58	56	54	51.5	49	42	34	20.5
5DW47-1.5	5DWm47-1.5	1.5	2	77	70	68	65.5	63	60	57	49	39.5	24
5DW48-1.5	5DWm48-1.5	1.5	2	88	80	77.5	75	72	68.5	65	56	45	27.5

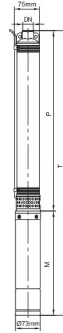
Model		P ₂		Q m ³ /h							
3~	1~	kW	HP	0	5	6	7	8	9	10	11
5DW83-1.1	5DWm83-1.1	1.1	1.5	34.5	29.5	28	26.5	24.5	22.5	20	16.5
5DW84-1.5	5DWm84-1.5	1.5	2	45.5	39	37	35	32.5	30	26.5	22.5

Dimension & Weight

Model	H mm	5DW		5DWm		Packing dimension mm
		NW Kgs	GW Kgs	NW Kgs	GW Kgs	
5DW23-0.55	410	12.4	13.0	13.7	14.5	515 x 230x180
5DW24-0.55	434	12.8	13.5	14.2	15.1	540 x 230x180
5DW25-0.75	458	14.7	15.4	16.5	17.5	590 x 230x180
5DW26-0.9	506	16.0	16.8	17.8	18.9	625 x 230x180
5DW27-0.9	530	16.5	17.4	18.3	19.5	650 x 230x180
5DW28-1.1	554	17.8	18.7	19.7	21.0	685 x 230x180
5DW44-0.9	458	15.0	15.7	16.7	19.9	575 x 230x180
5DW45-1.1	482	16.3	17.0	18.2	19.3	610 x 230x180
5DW46-1.1	506	16.8	17.6	18.2	19.9	635 x 230x180
5DW47-1.5	554	18.9	20.8	22.3	23.6	695 x 230x180
5DW48-1.5	578	19.4	20.2	22.8	24.2	720 x 230x180
5DW83-1.1	453	15.8	16.5	18.2	19.3	580 x 230x180
5DW84-1.5	506	16.6	17.4	21.2	22.4	650 x 230x180

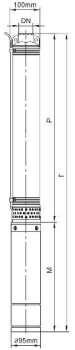
3XR 1.5

MODEL		DN	DIMENSION (mm)					WEIGHT (kgs)				
1 ~ 220V/240V	3 ~ 380V/415V		P	M(s)	M(T)	T(s)	T(T)	P	M(s)	M(T)	T(s)	T(T)
3XRm1.5/7-0.18	3XR1.5/7-0.18	1"	351	290	270	641	621	1.7	3.8	3.2	5.5	4.9
3XRm1.5/10-0.25	3XR1.5/10-0.25	1"	418	320	290	738	708	2.0	4.6	3.8	6.6	5.8
3XRm1.5/14-0.37	3XR1.5/14-0.37	1"	509	350	320	859	829	2.3	5.5	4.6	7.8	6.9
3XRm1.5/20-0.55	3XR1.5/20-0.55	1"	668	390	350	1058	1018	3.1	6.6	5.5	9.7	8.6
3XRm1.5/27-0.75	3XR1.5/27-0.75	1"	826	430	390	1256	1216	3.8	7.8	6.6	11.6	10.4
3XRm1.5/37-1.1	3XR1.5/37-1.1	1"	1051	510	430	1561	1481	4.7	9.9	7.8	14.6	12.5
3XRm1.5/47-1.5	3XR1.5/47-1.5	1"	1300	596	510	1896	1810	5.8	12.1	9.9	17.9	16.7



4XR 2

MODEL		DN	DIMENSION (mm)					WEIGHT (kgs)				
1 ~ 220V/240V	3 ~ 380V/415V		P	M(s)	M(T)	T(s)	T(T)	P	M(s)	M(T)	T(s)	T(T)
4XRm2/4-0.18	4XR2/4-0.18	1 1/2"	322	255	255	577	577	2.5	5.4	5.4	7.9	7.9
4XRm2/6-0.25	4XR2/6-0.25	1 1/2"	372	265	265	637	637	3.0	5.9	5.9	8.9	8.9
4XRm2/8-0.37	4XR2/8-0.37	1 1/2"	421	285	275	706	696	3.5	6.9	6.4	10.4	9.9
4XRm2/11-0.55	4XR2/11-0.55	1 1/2"	496	300	285	796	781	4.3	7.7	6.9	12.0	11.2
4XRm2/15-0.75	4XR2/15-0.75	1 1/2"	595	325	300	920	895	5.2	8.9	7.7	14.1	12.9
4XRm2/21-1.1	4XR2/21-1.1	1 1/2"	775	360	325	1135	1100	6.7	10.7	8.9	17.4	15.6
4XRm2/28-1.5	4XR2/28-1.5	1 1/2"	949	390	360	1339	1309	8.4	12.2	10.7	20.6	19.1
4XRm2/40-2.2	4XR2/40-2.2	1 1/2"	1302	470	440	1772	1742	11.4	15.4	13.9	26.8	25.3
-	4XR2/52-3	1 1/2"	1600	-	505	-	2105	14.3	-	16.9	-	31.2
-	4XR2/64-4	1 1/2"	1897	-	565	-	2462	17.3	-	19.9	-	37.2



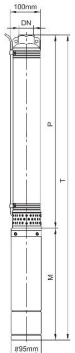
3XR 2.5

MODEL		DN	DIMENSION (mm)					WEIGHT (kgs)				
1 ~ 220V/240V	3 ~ 380V/415V		P	M(s)	M(T)	T(s)	T(T)	P	M(s)	M(T)	T(s)	T(T)
3XRm2.5/5-0.18	3XR2.5/5-0.18	1"	324	290	270	614	594	2.3	3.8	3.2	6.1	5.5
3XRm2.5/7-0.25	3XR2.5/7-0.25	1"	376	320	290	696	666	2.6	4.6	3.8	7.2	6.4
3XRm2.5/10-0.37	3XR2.5/10-0.37	1"	454	350	320	804	774	3.1	5.5	4.6	8.6	7.7
3XRm2.5/15-0.55	3XR2.5/15-0.55	1"	584	390	350	974	934	3.8	6.6	5.5	10.4	9.3
3XRm2.5/20-0.75	3XR2.5/20-0.75	1"	738	430	390	1168	1128	4.6	7.8	6.6	12.4	11.2
3XRm2.5/28-1.1	3XR2.5/28-1.1	1"	946	510	430	1456	1376	5.8	9.9	7.8	15.7	13.6
3XRm2.5/36-1.5	3XR2.5/36-1.5	1"	1154	596	510	1750	1664	6.9	12.1	9.9	19.0	16.8



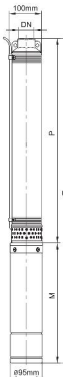
4XR 3

MODEL		DN	DIMENSION (mm)					WEIGHT (kgs)				
1 ~ 220V/240V	3 ~ 380V/415V		P	M(s)	M(T)	T(s)	T(T)	P	M(s)	M(T)	T(s)	T(T)
4XRm3/3-0.18	4XR3/3-0.18	1 1/2"	301	255	255	556	556	2.5	5.4	5.4	7.9	7.9
4XRm3/4-0.25	4XR3/4-0.25	1 1/2"	327	265	265	592	592	2.8	5.9	5.9	8.7	8.7
4XRm3/6-0.37	4XR3/6-0.37	1 1/2"	379	285	275	664	654	3.3	6.9	6.4	10.2	9.7
4XRm3/8-0.55	4XR3/8-0.55	1 1/2"	431	300	285	731	716	3.8	7.7	6.9	11.5	10.7
4XRm3/11-0.75	4XR3/11-0.75	1 1/2"	509	325	300	834	809	4.6	8.9	7.7	13.5	12.3
4XRm3/16-1.1	4XR3/16-1.1	1 1/2"	639	360	325	999	964	5.9	10.7	8.9	16.6	14.8
4XRm3/22-1.5	4XR3/22-1.5	1 1/2"	827	390	360	1217	1187	7.4	12.2	10.7	19.6	18.1
4XRm3/30-2.2	4XR3/30-2.2	1 1/2"	1059	470	440	1529	1499	9.5	15.4	13.9	24.9	23.4
-	4XR3/40-3	1 1/2"	1350	-	505	-	1855	12.1	-	16.9	-	29.0
-	4XR3/50-4	1 1/2"	1610	-	565	-	2175	14.7	-	19.9	-	34.6
-	4XR3/62-5.5	1 1/2"	1922	-	625	-	2547	17.8	-	22.9	-	40.7



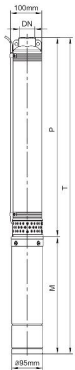
3.5XR 2.5

MODEL		DN	DIMENSION (mm)					WEIGHT (kgs)				
1 ~ 220V/240V	3 ~ 380V/415V		P	M(s)	M(T)	T(s)	T(T)	P	M(s)	M(T)	T(s)	T(T)
3.5XRm2.5/4-0.18	3.5XR2.5/4-0.18	1 1/4"	286	278	263	564	549	1.8	4.7	4.1	6.5	5.9
3.5XRm2.5/6-0.25	3.5XR2.5/6-0.25	1 1/4"	333	293	278	626	611	2.1	5.3	4.7	7.4	6.8
3.5XRm2.5/10-0.37	3.5XR2.5/10-0.37	1 1/4"	425	313	293	738	718	2.7	6.1	5.3	8.8	8.0
3.5XRm2.5/14-0.55	3.5XR2.5/14-0.55	1 1/4"	517	338	313	855	830	3.4	7.0	6.1	10.4	9.5
3.5XRm2.5/18-0.75	3.5XR2.5/18-0.75	1 1/4"	610	363	338	973	948	4.1	8.0	7.0	12.1	11.1
3.5XRm2.5/26-1.1	3.5XR2.5/26-1.1	1 1/4"	819	414	363	1233	1182	5.6	9.8	8.0	15.4	13.6
3.5XRm2.5/34-1.5	3.5XR2.5/34-1.5	1 1/4"	1003	550	414	1553	1417	6.9	11.6	9.8	18.5	16.7
3.5XRm2.5/46-2.2	3.5XR2.5/46-2.2	1 1/4"	1305	534	550	1839	1855	9.0	14.5	11.6	23.5	20.6



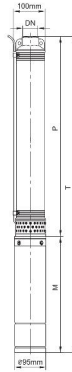
4XR 4

MODEL		DN	DIMENSION (mm)					WEIGHT (kgs)				
1 ~ 220V/240V	3 ~ 380V/415V		P	M(s)	M(T)	T(s)	T(T)	P	M(s)	M(T)	T(s)	T(T)
4XRm4/3-0.25	4XR4/3-0.25	1 1/2"	309	265	265	574	574	2.7	5.9	5.9	8.6	8.6
4XRm4/5-0.37	4XR4/5-0.37	1 1/2"	367	285	275	642	642	3.3	6.9	6.4	10.2	9.7
4XRm4/7-0.55	4XR4/7-0.55	1 1/2"	425	300	285	725	710	3.8	7.7	6.9	11.5	10.7
4XRm4/10-0.75	4XR4/10-0.75	1 1/2"	511	325	300	836	811	4.6	8.9	7.7	13.5	12.3
4XRm4/14-1.1	4XR4/14-1.1	1 1/2"	626	360	325	986	951	5.7	10.7	8.9	16.4	14.6
4XRm4/19-1.5	4XR4/19-1.5	1 1/2"	770	390	360	1160	1130	7.1	12.2	10.7	19.3	17.8
4XRm4/26-2.2	4XR4/26-2.2	1 1/2"	1003	470	440	1473	1443	9.0	15.4	13.9	24.4	22.9
-	4XR4/34-3	1 1/2"	1258	-	505	-	1763	11.1	-	16.9	-	28.0
-	4XR4/44-4	1 1/2"	1577	-	565	-	2142	13.8	-	19.9	-	33.7
-	4XR4/54-5.5	1 1/2"	1865	-	625	-	2490	16.6	-	22.9	-	39.5



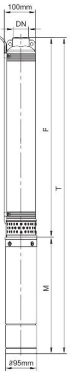
4XR 6

MODEL		DN	DIMENSION (mm)					WEIGHT (kgs)				
1 - 220V/240V	3 - 380V/415V		P	M _(S)	M _(T)	T _(S)	T _(T)	P	M _(S)	M _(T)	T _(S)	T _(T)
4XR6/4-0.37	4XR6/4-0.37	1½"1½/2"	369	285	275	654	644	3.2	6.9	6.4	10.1	9.6
4XR6/6-0.55	4XR6/6-0.55	1½"1½/2"	431	300	285	731	716	3.8	7.7	6.9	11.5	10.7
4XR6/9-0.75	4XR6/9-0.75	1½"1½/2"	522	325	300	847	822	4.7	8.9	7.7	13.6	12.4
4XR6/12-1.1	4XR6/12-1.1	1½"1½/2"	614	360	325	974	939	5.5	10.7	8.9	16.2	14.4
4XR6/16-1.5	4XR6/16-1.5	1½"1½/2"	737	390	360	1127	1097	6.6	12.2	10.7	18.8	17.3
4XR6/22-2.2	4XR6/22-2.2	1½"1½/2"	952	470	440	1422	1392	8.3	15.4	13.9	23.7	22.2
-	4XR6/30-3	1½"1½/2"	1197	-	505	-	1702	10.6	-	16.9	-	27.5
-	4XR6/2006-4	1½"1½/2"	1441	-	565	-	2006	12.9	-	19.9	-	32.8
-	4XR6/46-5.5	1½"1½/2"	1718	-	625	-	2343	15.2	-	22.9	-	38.1
-	4XR6/55-7.5	1½"1½/2"	1993	-	685	-	2678	17.7	-	25.9	-	43.6



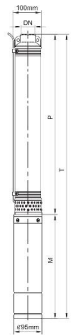
4XR 12

MODEL		DN	DIMENSION (mm)					WEIGHT (kgs)				
1 - 220V/240V	3 - 380V/415V		P	M _(S)	M _(T)	T _(S)	T _(T)	P	M _(S)	M _(T)	T _(S)	T _(T)
4XR12/3-0.75	4XR12/3-0.75	1½"1½/2"	402	325	300	727	702	3.9	8.9	7.7	12.8	11.6
4XR12/5-1.1	4XR12/5-1.1	1½"1½/2"	499	360	325	859	824	4.7	10.7	8.9	15.4	13.6
4XR12/7-1.5	4XR12/7-1.5	1½"1½/2"	596	390	360	986	956	5.5	12.2	10.7	17.7	16.2
4XR12/11-2.2	4XR12/11-2.2	1½"1½/2"	791	470	440	1261	1231	7.0	15.4	13.9	22.4	20.9
-	4XR12/15-3	1½"1½/2"	985	-	505	-	1094	8.5	-	16.9	-	25.4
-	4XR12/19-4	1½"1½/2"	1179	-	565	-	1744	10.0	-	19.9	-	29.9
-	4XR12/23-5.5	1½"1½/2"	1405	-	625	-	2030	11.5	-	22.9	-	34.4
-	4XR12/28-7.5	1½"1½/2"	1648	-	685	-	2333	13.4	-	25.9	-	39.3



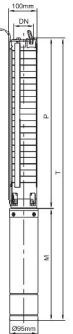
4XR 8

MODEL		DN	DIMENSION (mm)					WEIGHT (kgs)				
1 - 220V/240V	3 - 380V/415V		P	M _(S)	M _(T)	T _(S)	T _(T)	P	M _(S)	M _(T)	T _(S)	T _(T)
4XR8/5-0.55	4XR8/5-0.55	1½"1½/2"	437	300	285	737	722	3.8	7.7	6.9	11.5	10.7
4XR8/7-0.75	4XR8/7-0.75	1½"1½/2"	513	325	300	838	813	4.4	8.9	7.7	13.3	12.1
4XR8/9-1.1	4XR8/9-1.1	1½"1½/2"	589	360	325	949	914	4.9	10.7	8.9	15.6	13.8
4XR8/13-1.5	4XR8/13-1.5	1½"1½/2"	741	390	360	1131	1101	6.1	12.2	10.7	18.3	16.8
4XR8/17-2.2	4XR8/17-2.2	1½"1½/2"	893	470	440	1363	1333	7.3	15.4	13.9	22.7	21.2
-	4XR8/24-3	1½"1½/2"	1191	-	505	-	1696	9.4	-	16.9	-	26.3
-	4XR8/32-4	1½"1½/2"	1495	-	565	-	2060	11.8	-	19.9	-	31.7
-	4XR8/40-5.5	1½"1½/2"	1830	-	625	-	2455	14.4	-	22.9	-	37.0
-	4XR8/48-7.5	1½"1½/2"	2134	-	685	-	2819	16.5	-	25.9	-	42.4



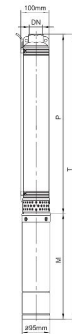
4XRS2

MODEL		DN	DIMENSION (mm)					WEIGHT (kgs)				
1 - 220V/240V	3 - 380V/415V		P	M _(S)	M _(T)	T _(S)	T _(T)	P	M _(S)	M _(T)	T _(S)	T _(T)
4XRS2/5-0.25	4XRS2/5-0.25	1½"1½/2"	260	265	265	525	525	2.3	5.9	5.9	8.2	8.2
4XRS2/9-0.37	4XRS2/9-0.37	1½"1½/2"	344	285	275	629	619	3.1	6.9	6.4	10.0	9.5
4XRS2/13-0.55	4XRS2/13-0.55	1½"1½/2"	428	300	285	728	713	4.0	7.7	6.9	11.7	10.9
4XRS2/18-0.75	4XRS2/18-0.75	1½"1½/2"	533	325	300	858	833	5.1	8.9	7.7	14.0	12.8
4XRS2/25-1.1	4XRS2/25-1.1	1½"1½/2"	680	360	325	1040	1005	6.6	10.7	8.9	17.3	15.5
4XRS2/33-1.5	4XRS2/33-1.5	1½"1½/2"	848	390	360	1238	1208	8.3	12.2	10.7	20.5	19.0
4XRS2/48-2.2	4XRS2/48-2.2	1½"1½/2"	1163	470	440	1633	1603	11.5	15.4	13.9	26.9	25.4
-	4XRS2/63-3	1½"1½/2"	1487	-	505	-	1983	14.8	-	16.9	-	31.7



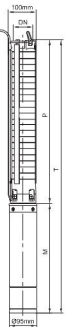
4XR 10

MODEL		DN	DIMENSION (mm)					WEIGHT (kgs)				
1 - 220V/240V	3 - 380V/415V		P	M _(S)	M _(T)	T _(S)	T _(T)	P	M _(S)	M _(T)	T _(S)	T _(T)
4XR10/5-0.75	4XR10/5-0.75	1½"1½/2"	437	325	300	762	737	3.8	8.9	7.7	12.7	11.5
4XR10/7-1.1	4XR10/7-1.1	1½"1½/2"	513	360	325	873	838	4.4	10.7	8.9	15.1	13.3
4XR10/9-1.5	4XR10/9-1.5	1½"1½/2"	589	390	360	979	949	4.9	12.2	10.7	17.1	15.6
4XR10/13-2.2	4XR10/13-2.2	1½"1½/2"	741	470	440	1211	1181	6.1	15.4	13.9	21.5	20.0
-	4XR10/18-3	1½"1½/2"	931	-	505	-	1436	7.6	-	16.9	-	24.5
-	4XR10/23-4	1½"1½/2"	1153	-	565	-	1718	9.1	-	19.9	-	29.0
-	4XR10/28-5.5	1½"1½/2"	1343	-	625	-	1968	10.6	-	22.9	-	33.5
-	4XR10/34-7.5	1½"1½/2"	1571	-	685	-	2256	12.3	-	25.9	-	38.2



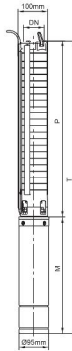
4XRS3

MODEL		DN	DIMENSION (mm)					WEIGHT (kgs)				
1 - 220V/240V	3 - 380V/415V		P	M _(S)	M _(T)	T _(S)	T _(T)	P	M _(S)	M _(T)	T _(S)	T _(T)
4XRS3/4-0.25	4XRS3/4-0.25	1½"1½/2"	239	265	265	504	504	2.1	5.9	5.9	8.0	8.0
4XRS3/6-0.37	4XRS3/6-0.37	1½"1½/2"	281	285	275	566	556	2.5	6.9	6.4	9.4	8.9
4XRS3/9-0.55	4XRS3/9-0.55	1½"1½/2"	344	300	285	644	629	3.2	7.7	6.9	10.9	10.1
4XRS3/12-0.75	4XRS3/12-0.75	1½"1½/2"	407	325	300	732	707	3.8	8.9	7.7	12.7	11.5
4XRS3/18-1.1	4XRS3/18-1.1	1½"1½/2"	533	360	325	839	858	5.1	10.7	8.9	15.8	14.0
4XRS3/25-1.5	4XRS3/25-1.5	1½"1½/2"	680	390	360	1070	1040	6.6	12.2	10.7	18.8	17.3
4XRS3/33-2.2	4XRS3/33-2.2	1½"1½/2"	848	470	440	1318	1288	8.4	15.4	13.9	23.8	22.3
-	4XRS3/44-3	1½"1½/2"	1079	-	505	-	1584	10.8	-	16.9	-	27.7
-	4XRS3/58-4	1½"1½/2"	1373	-	565	-	1938	13.8	-	19.9	-	33.7



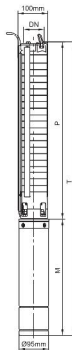
4XRS5

MODEL		DN	DIMENSION (mm)					WEIGHT (kgs)				
1 ~ 220V/240V	3 ~ 380V/415V		P	M _(S)	M _(T)	T _(S)	T _(T)	P	M _(S)	M _(T)	T _(S)	T _(T)
4XRSm5/4-0.37	4XRS5/4-0.37	1½"/1½"	251	285	275	536	526	2.2	6.9	6.4	9.1	8.6
4XRSm5/6-0.55	4XRS5/6-0.55	1½"/1½"	299	300	285	599	584	2.6	7.7	6.9	10.3	9.5
4XRSm5/8-0.75	4XRS5/8-0.75	1½"/1½"	347	325	300	672	647	3.1	8.9	7.7	12.0	10.8
4XRSm5/12-1.1	4XRS5/12-1.1	1½"/1½"	443	360	325	803	768	4.0	10.7	8.9	14.7	12.9
4XRSm5/17-1.5	4XRS5/17-1.5	1½"/1½"	563	390	360	953	923	5.1	12.2	10.7	17.3	15.8
4XRSm5/25-2.2	4XRS5/25-2.2	1½"/1½"	755	470	440	1225	1195	7.0	15.4	13.9	22.4	20.9
-	4XRS5/33-3	1½"/1½"	947	-	505	-	1452	8.8	-	16.9	-	25.7
-	4XRS5/43-4	1½"/1½"	1187	-	565	-	1752	11.1	-	19.9	-	31.0
-	4XRS5/57-5.5	1½"/1½"	1523	-	625	-	2148	14.3	-	22.9	-	37.2



4XRS8

MODEL		DN	DIMENSION (mm)					WEIGHT (kgs)				
1 ~ 220V/240V	3 ~ 380V/415V		P	M _(S)	M _(T)	T _(S)	T _(T)	P	M _(S)	M _(T)	T _(S)	T _(T)
4XRSm8/3-0.55	4XRS8/3-0.55	1½"/2"	331	300	285	631	615	3.6	7.7	6.9	11.3	10.5
4XRSm8/5-0.75	4XRS8/5-0.75	1½"/2"	415	325	300	740	715	4.4	8.9	7.7	13.3	12.1
4XRSm8/7-1.1	4XRS8/7-1.1	1½"/2"	499	360	325	859	824	5.0	10.7	8.9	15.7	13.9
4XRSm8/10-1.5	4XRS8/10-1.5	1½"/2"	625	390	360	1015	985	6.0	12.2	10.7	18.2	16.7
4XRSm8/15-2.2	4XRS8/15-2.2	1½"/2"	835	470	440	1305	1275	7.7	15.4	13.9	23.1	21.6
-	4XRS8/19-3	1½"/2"	1003	-	505	-	1508	9.0	-	16.9	-	25.9
-	4XRS8/25-4	1½"/2"	1255	-	565	-	1820	11.1	-	19.9	-	31.0
-	4XRS8/35-5.5	1½"/2"	1675	-	625	-	2300	14.4	-	22.9	-	37.3



XST Standard Centrifugal Pumps

Application

- Circulation and transfer of clean, chemically non-aggressive water and other liquids
- Water supply & irrigation
- Water circulation in air conditioning systems

Operating conditions

- Delivery: up to 220 m³/h
- Head: up to 95 m
- Liquid temperature:
 - Standard: -10°C to 85°C
 - Upon request: -20°C to 120°C
- Maximum operating pressure: 12 bar (PN12)
- Anti-clockwise rotation when facing pump's suction port
- Impeller: AISI304/HT200
- Mechanical seal in compliance with DIN 24960
- Lubricated by internal recirculating pumped liquid
- Counter flange available on request



Motor

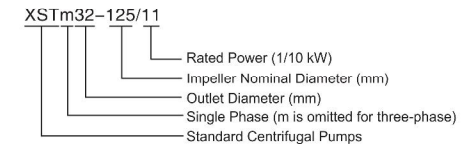
- Closed construction, external ventilation
- Insulation class: F
- Protection class: IP54
- Performance in compliance with CEI 2-3 (IEC 34.1)
- Max. ambient temperature: +40°C
- Overload protection

Construction features

- Single-impeller centrifugal pump featuring axial intake and radial discharge
- Inlet and outlet DN in compliance with EN 733(ex DIN 24255)and UNI 7467
- Flanges in compliance with UNI 2236 and DIN 2532
- Rear entry (impeller, control valve and motor can be extracted without disconnecting the pump body from the pipes)

Accessories on request

- Galvanised iron threaded counter flanges
- Flanged tapered coupling
- Pump and motor sealing gasket



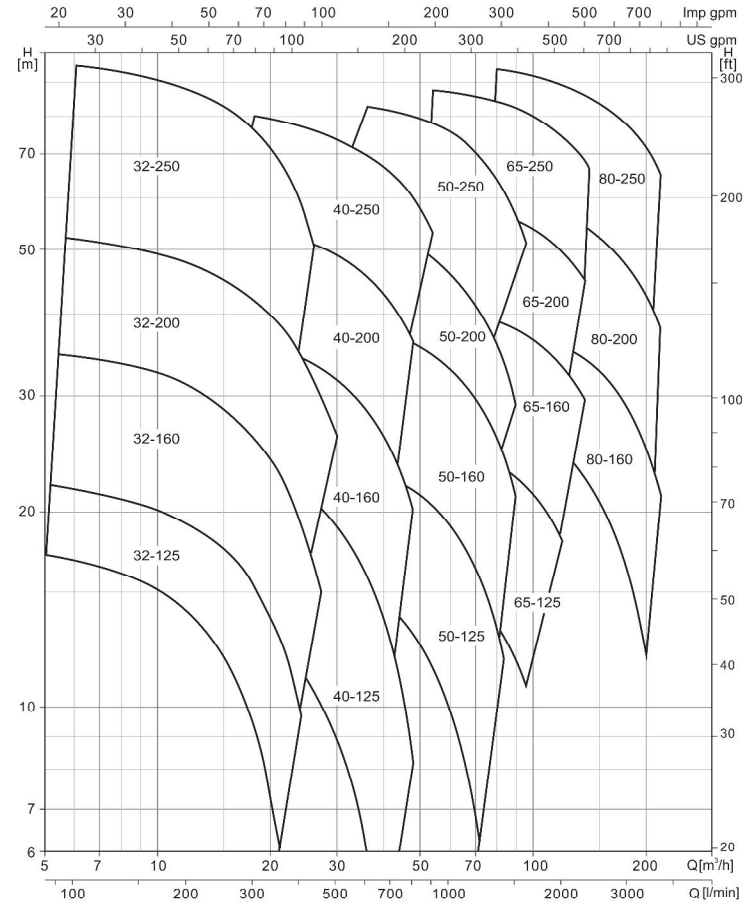
Technical Data

PUMP TYPE	POWER		l/min m ³ /h	Q = DELIVERY																				
	kW	HP		0	100	150	250	300	400	450	600	700	800	900	1200	1400	1500	1800	2000	2300	3000	3500		
32-125/07★	0.75	1	17.5	16.7	15	12	9																	
32-125/11★	1.1	1.5	22	21	19.7	16.5	14.5	9																
32-160/15★	1.5	2	25.4	23.7	22.5	18.5	15.8																	
32-160/22★	2.2	3	31	29.6	28.5	24.5	22	15																
32-160/30★	3	4	35	34.3	34	28	25.5	19	15															
32-200/30★	3	4	44.2	43	39.8	35.2	32.2	24.6	19.8															
32-200/40★	4	5.5	54.5	52	50	45.5	41.9	35	30.3															
32-250/55★	5.5	7.5	79.5	74.7	71.8	63	56	37.5																
32-250/75★	7.5	10	99.5	95	91.8	83	76	57.8																
40-125/11	1.1	1.5	14.7			13.5	11.5	10.1	5.8															
40-125/15	1.5	2	18.1			17	15	13.9	9.6	6														
40-125/22	2.2	3	24.5			23.2	21.5	20.2	16	13	8.3													
40-160/30	3	4	31.8			29.5	27.5	26.3	21.5	17.5														
40-160/40	4	5.5	38			36	34	33	28.5	25	20.1													
40-200/55★	5.5	7.5	46			43.8	41.3	40.1	35	30														
40-200/75★	7.5	10	57			53.6	51.5	50	45	41	36.5													
40-250/92★	9.2	12.5	64			59	56.5	55	49.5	45	39.8													
40-250/110★	11	15	72			67.5	65	63.5	57.5	52.2	47													
40-250/150★	15	20	84.5			80	77.3	75.2	71	65	61													
50-125/22	2.2	3	17					15.4	14	12.8	11.5	6.5												
50-125/30	3	4	20					18.8	18	17	15.6	11												
50-125/40	4	5.5	24					23.1	23	21.5	20.3	15.8	11.8											
50-160/55	5.5	7.5	32					30.6	30	28	26.6	20.5	14.8											
50-160/75	7.5	10	40					38	37	36	34.4	29	24	21										
50-200/92★	9.2	12.5	50.5					46.8	45	43	40.9	32.5	25.7											
50-200/110★	11	15	57.5					53.5	52	50	47.5	40	33	29										
50-250/150★	15	20	68.5					64	63	61.5	59	50	41											
50-250/185★	18.5	25	77					73.2	72	70	68	60.5	51.5	47										
50-250/220★	22	30	86.3					83	81.5	80.8	78.7	70	61.9	57										
65-125/40	4	5.5	19					17.3	16.8	14.5	13	11.8												
65-125/55	5.5	7.5	23						21.3	20.9	19	17.5	16.7	13.7										
65-125/75	7.5	10	27						26	25.6	24.5	23	22.5	20	18									
65-160/92	9.2	12.5	33						31.5	30	28	27.1	24	21.5										
65-160/110	11	15	36						34.5	33	31.5	30.8	28	25.5										
65-160/150	15	20	42						41	40	38.5	37.8	35	33	29.5									
65-200/150	15	20	45						45.5	43	41	40.2	36.5	34										
65-200/185	18.5	25	52						52.3	51	49	48.2	44.5	42										
65-200/220	22	30	59						59.5	58	56	55	52	49.5	44.5									
65-250/220	22	30	62						61.5	58.2	56.5	54	49	45										
65-250/300	30	40	76						75	73	71.5	69.5	64.5	61.5	54									
65-250/370	37	50	90						88.3	86.5	84	83	78	75	68									
80-160/110	11	15	27									27.3	26	24.5	22.5	16								
80-160/150	15	20	32.8										32.5	31.3	30.2	28.5	22.1	16.7						
80-160/185	18.5	25	39											38	36.8	36.7	33.8	28.8	23.5					
80-200/220	22	30	48												47.5	45.5	43.5	41	32.5	24.5				
80-200/300	30	45	60													59.5	58	57	54.5	47	40.5			
80-250/370	37	50	71.5														70.5	67.5	65.5	61.5	49.5	38.5		
80-250/450	45	61	80															80.5	78.5	76.5	73.4	63.2	51	
80-250/550	55	75	92.5																93.5	91.2	89.8	86.8	77.6	68.3

★ = Stainless steel impeller

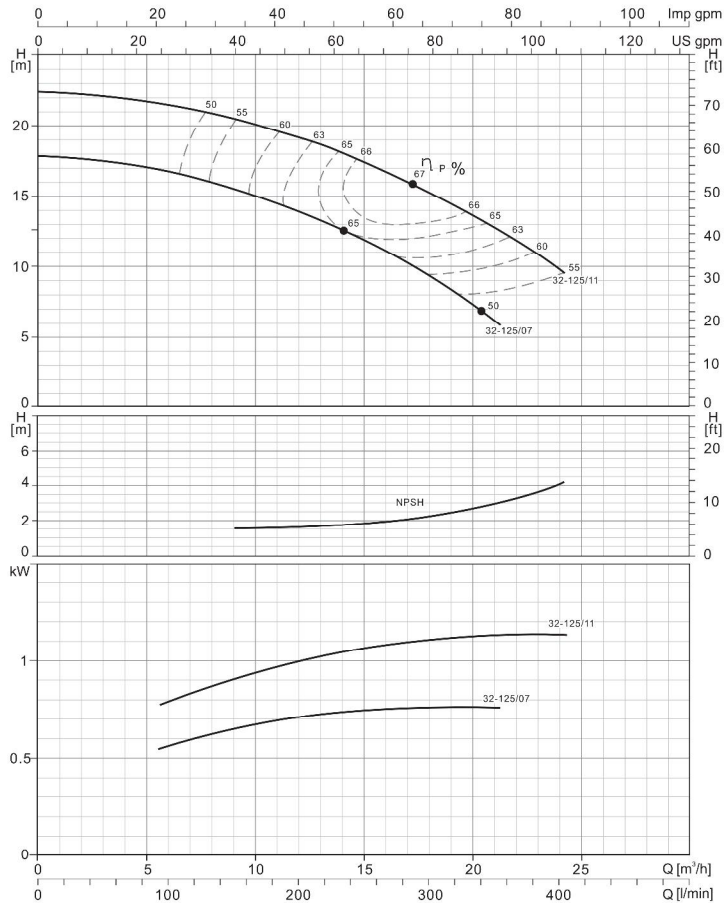
Characteristic Curves

XST	~2900rpm	ISO 9906 Annex A
------------	-----------------	-------------------------



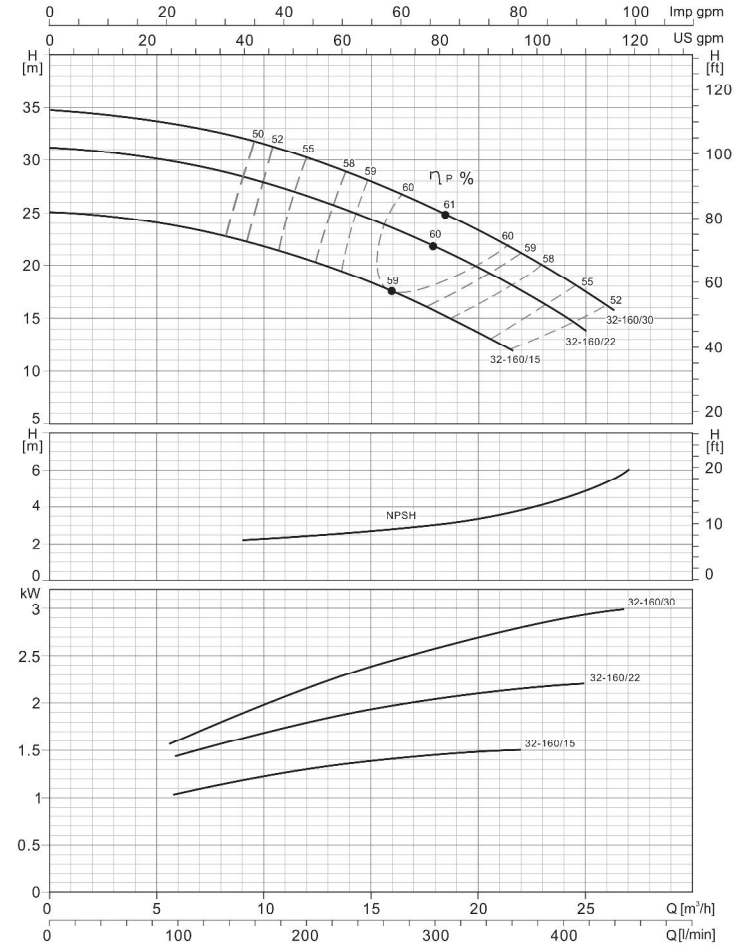
Hydraulic Performance Curve

XST32-125	~2900rpm	ISO 9906 Annex A
------------------	-----------------	-------------------------



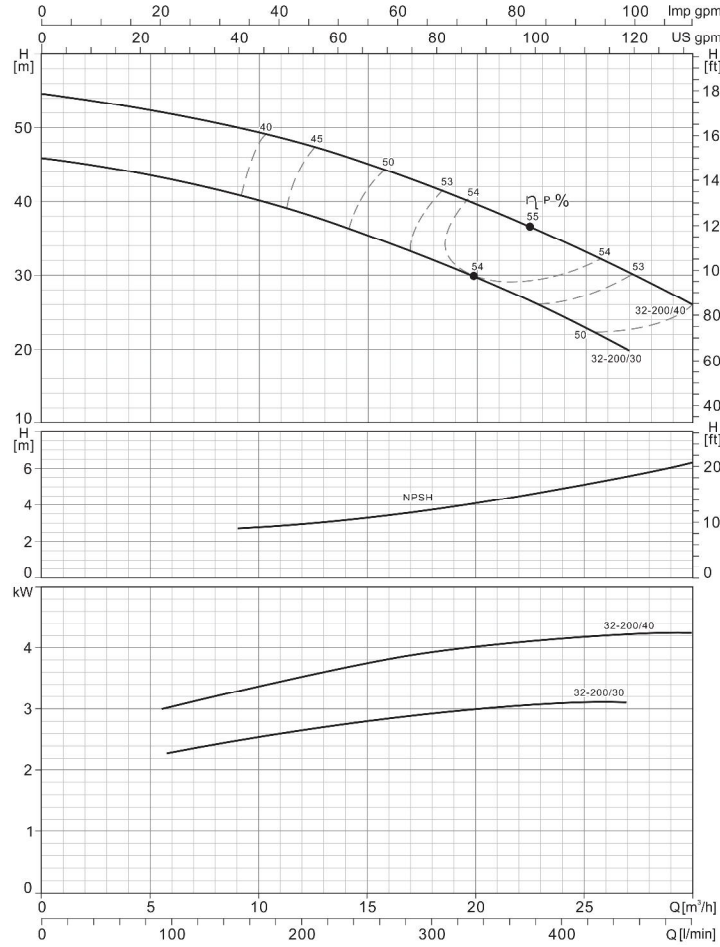
Hydraulic Performance Curve

XST32-160	~2900rpm	ISO 9906 Annex A
------------------	-----------------	-------------------------



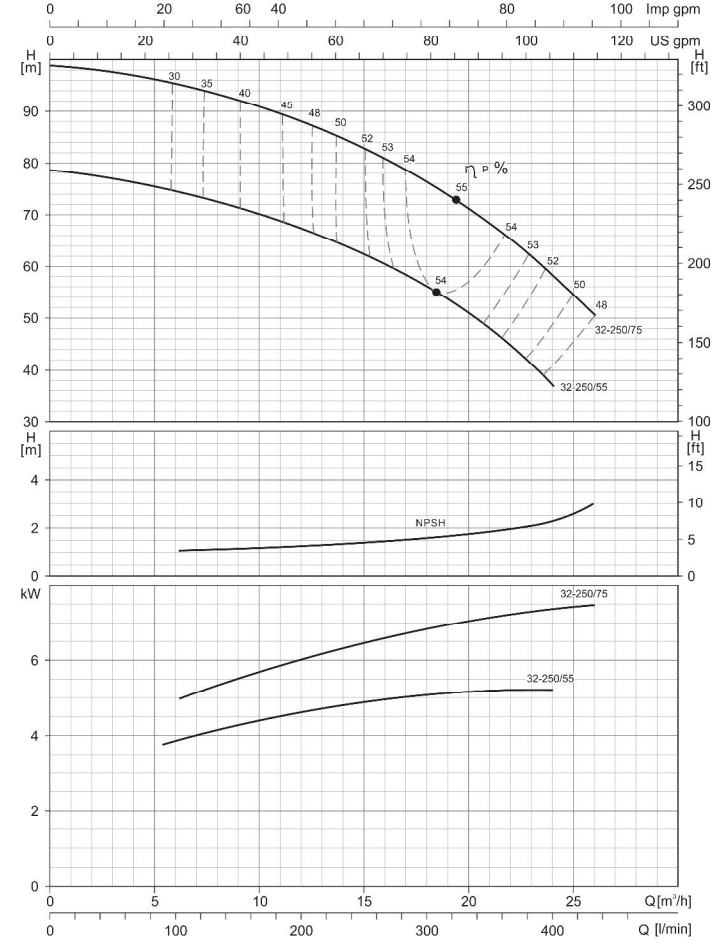
Hydraulic Performance Curve

XST32-200	~2900rpm	ISO 9906 Annex A
------------------	-----------------	-------------------------



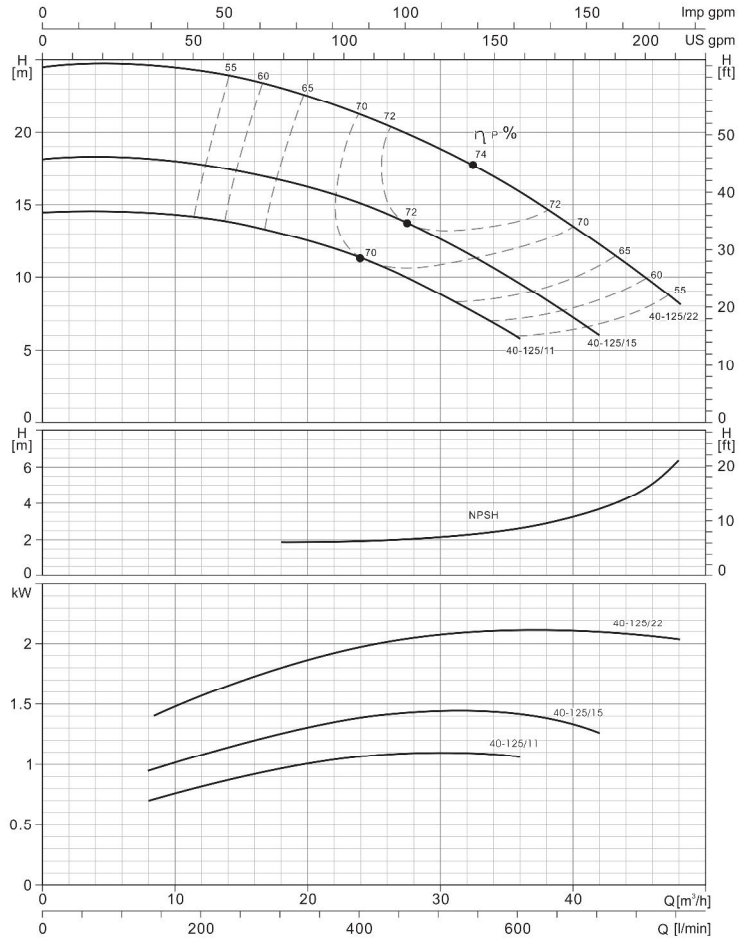
Hydraulic Performance Curve

XST32-250	~2900rpm	ISO 9906 Annex A
------------------	-----------------	-------------------------



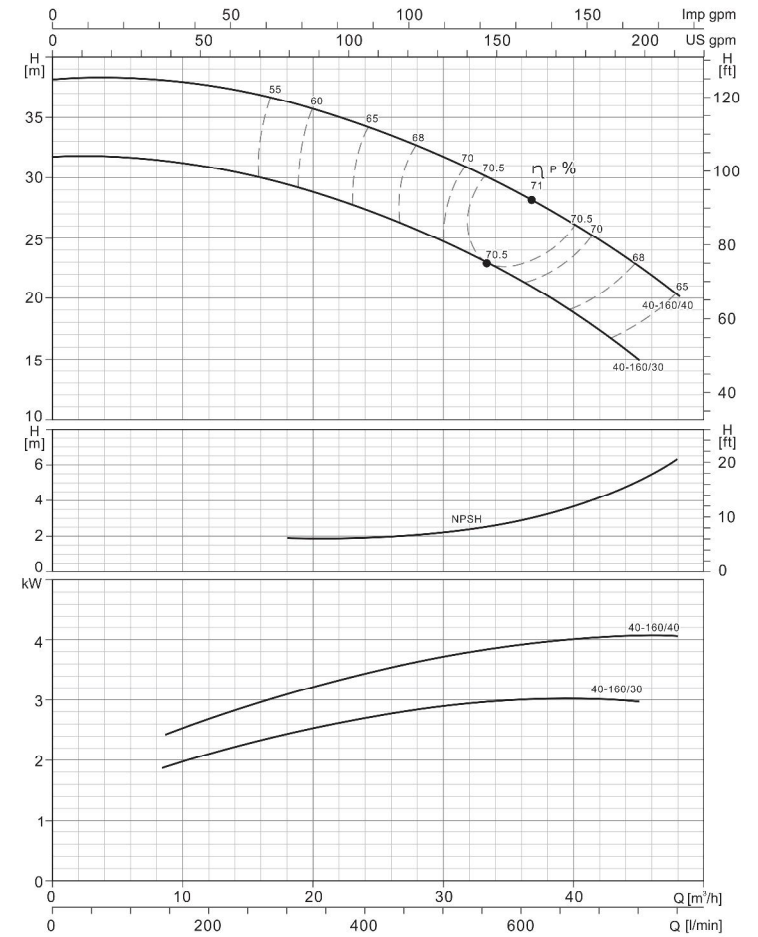
Hydraulic Performance Curve

XST40-125	~2900rpm	ISO 9906 Annex A
------------------	-----------------	-------------------------



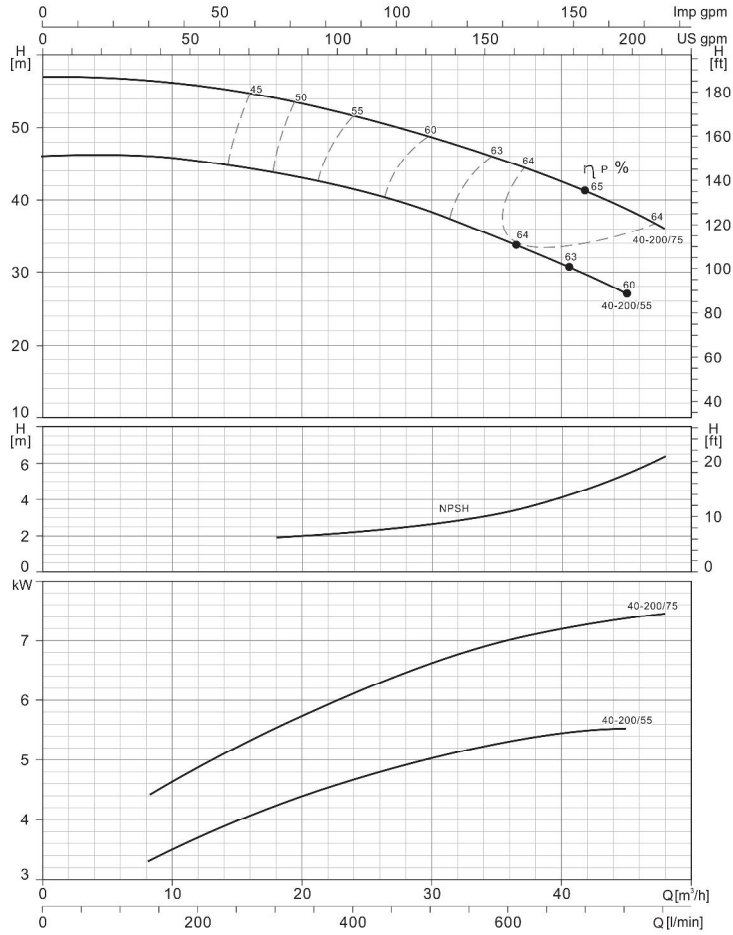
Hydraulic Performance Curve

XST40-160	~2900rpm	ISO 9906 Annex A
------------------	-----------------	-------------------------



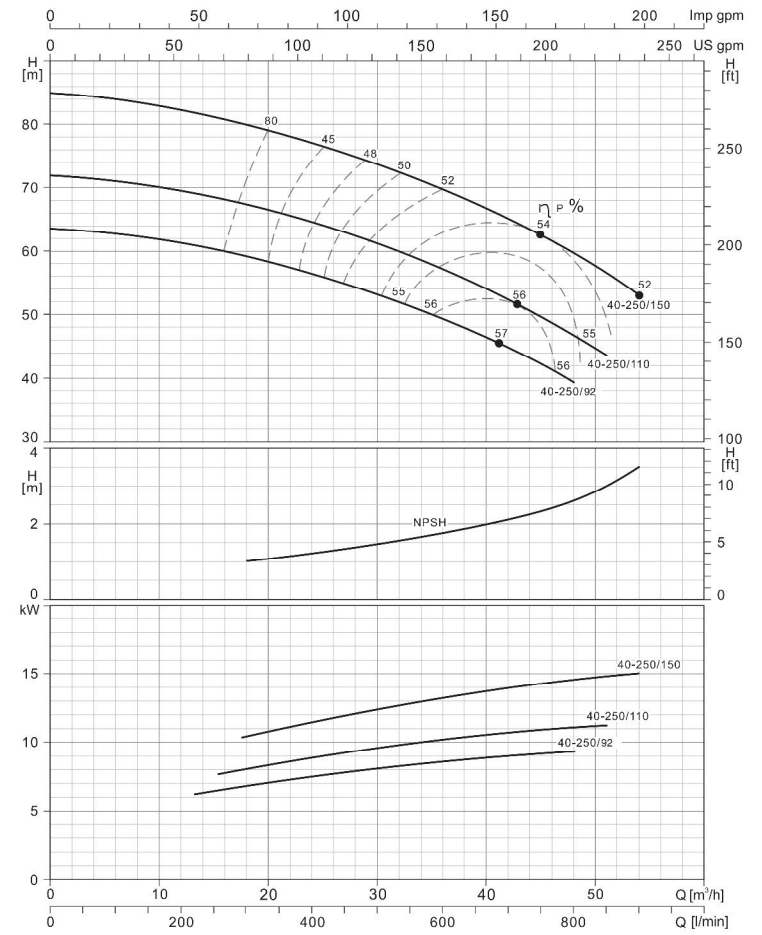
Hydraulic Performance Curve

XST40-200	~2900rpm	ISO 9906 Annex A
------------------	-----------------	-------------------------



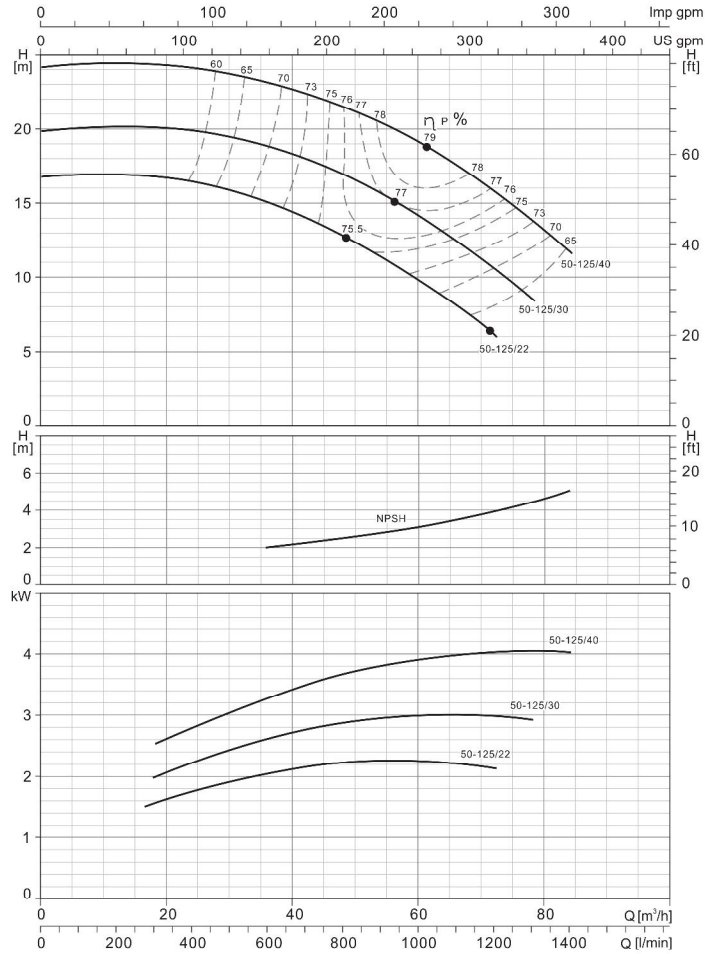
Hydraulic Performance Curve

XST40-250	~2900rpm	ISO 9906 Annex A
------------------	-----------------	-------------------------



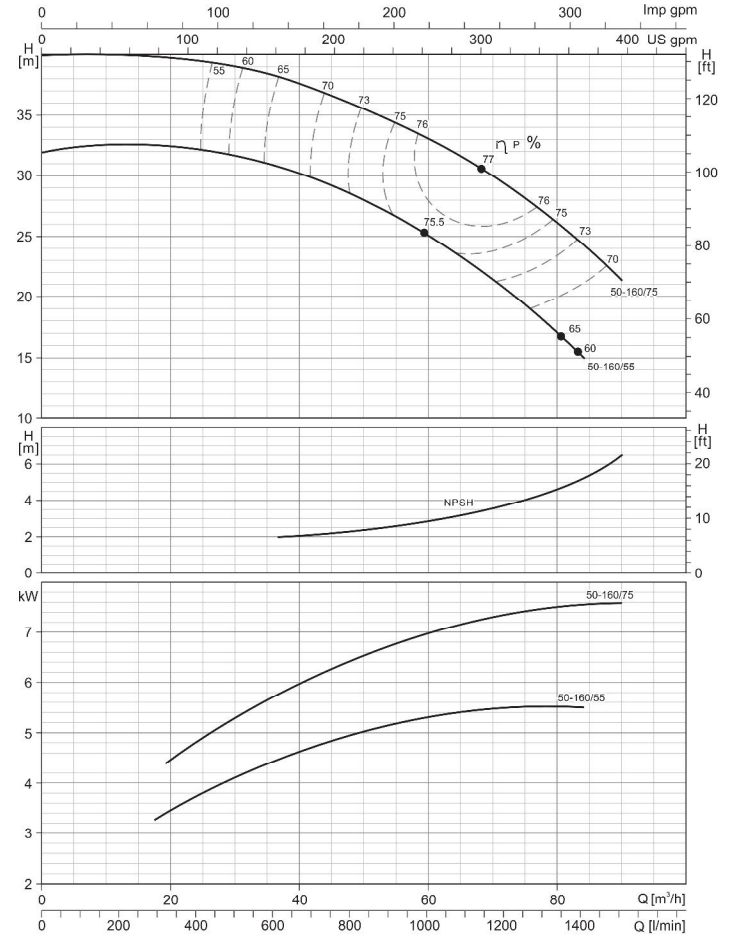
Hydraulic Performance Curve

XST50-125	~2900rpm	ISO 9906 Annex A
------------------	-----------------	-------------------------



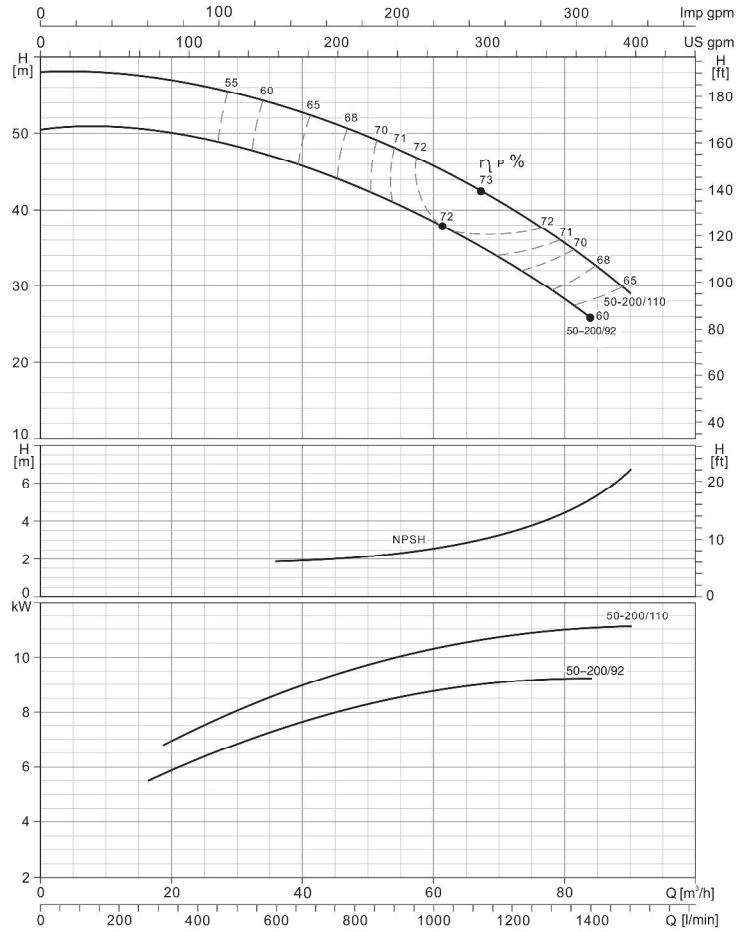
Hydraulic Performance Curve

XST50-160	~2900rpm	ISO 9906 Annex A
------------------	-----------------	-------------------------



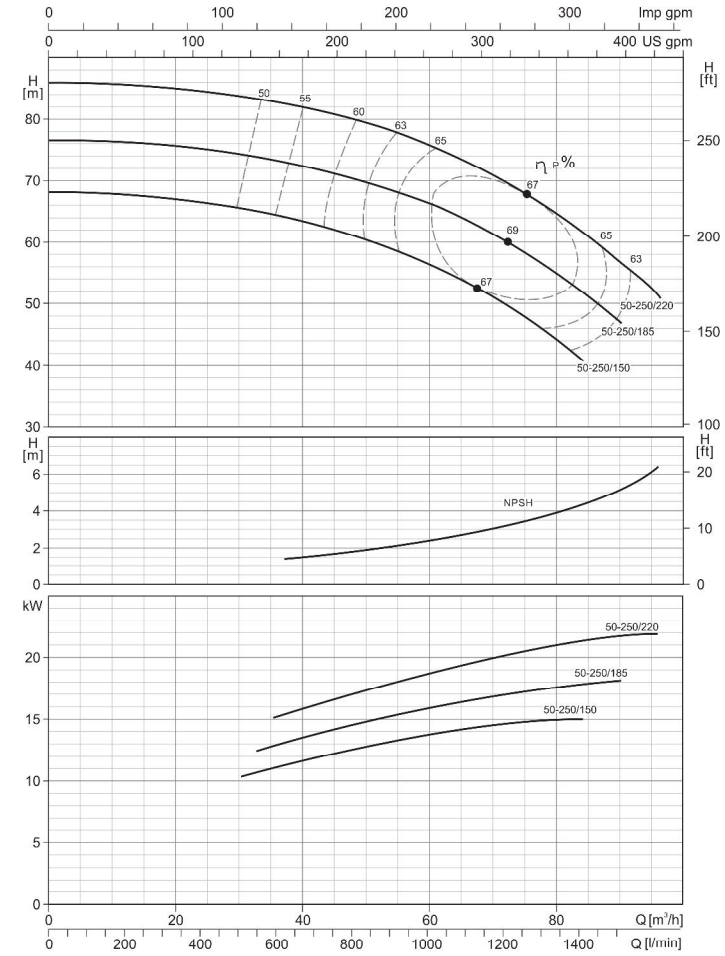
Hydraulic Performance Curve

XST50-200	~2900rpm	ISO 9906 Annex A
------------------	-----------------	-------------------------



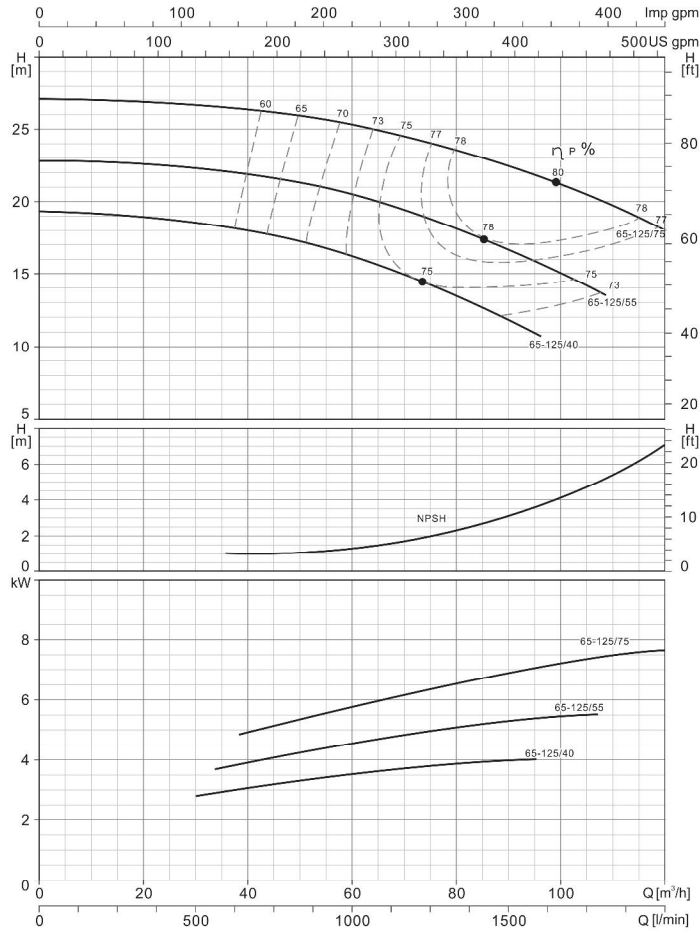
Hydraulic Performance Curve

XST50-250	~2900rpm	ISO 9906 Annex A
------------------	-----------------	-------------------------



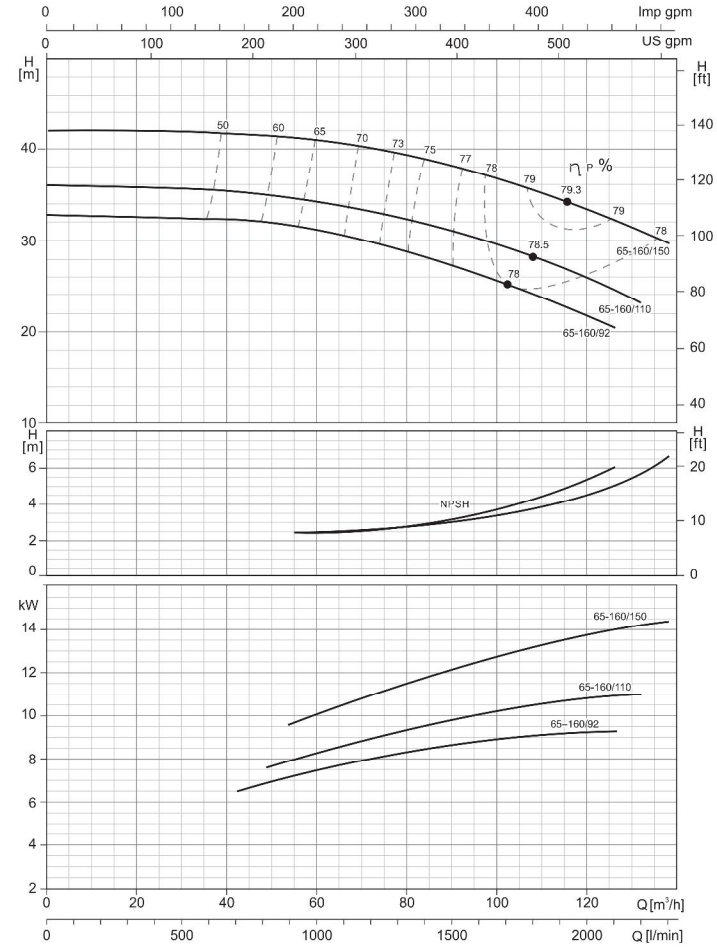
Hydraulic Performance Curve

XST65-125	~2900rpm	ISO 9906 Annex A
------------------	-----------------	-------------------------



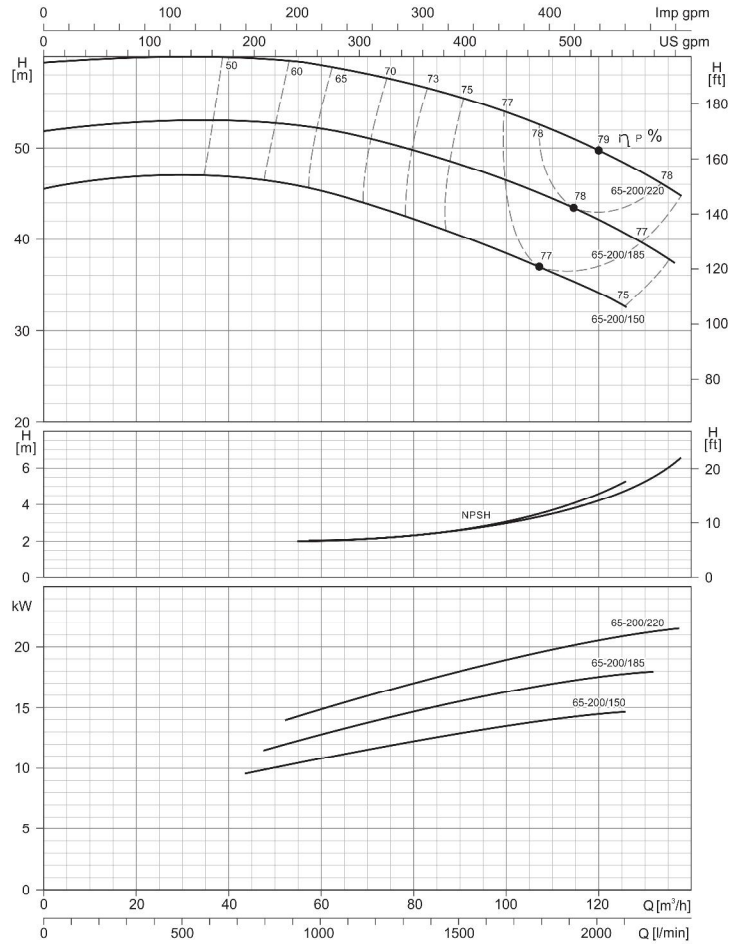
Hydraulic Performance Curve

XST65-160	~2900rpm	ISO 9906 Annex A
------------------	-----------------	-------------------------



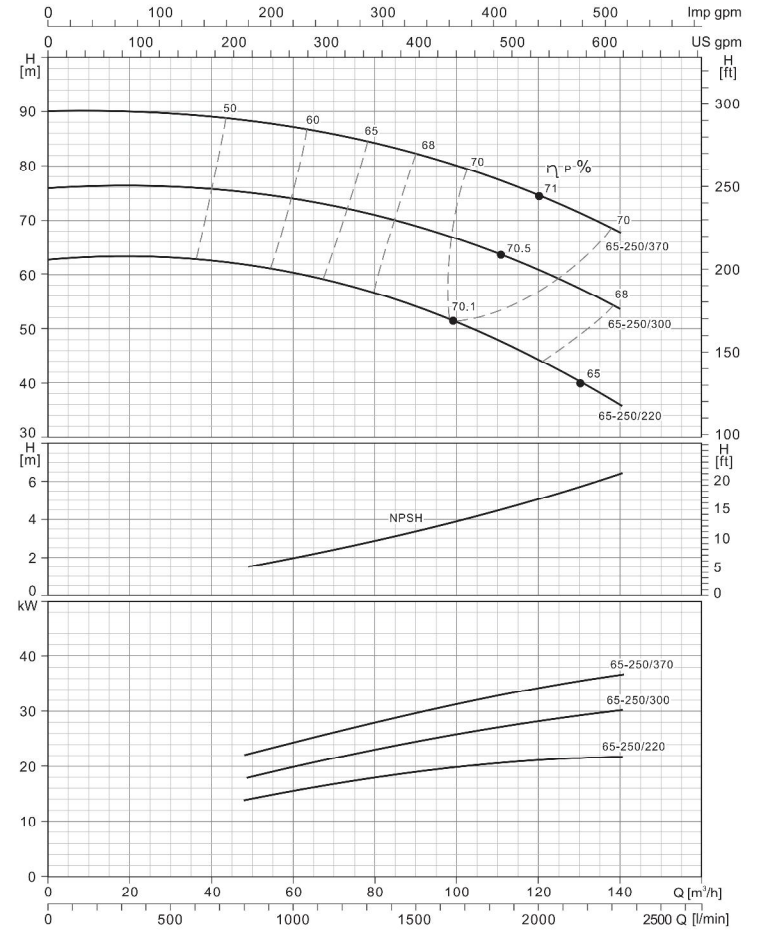
Hydraulic Performance Curve

XST65-200	~2900rpm	ISO 9906 Annex A
------------------	-----------------	-------------------------



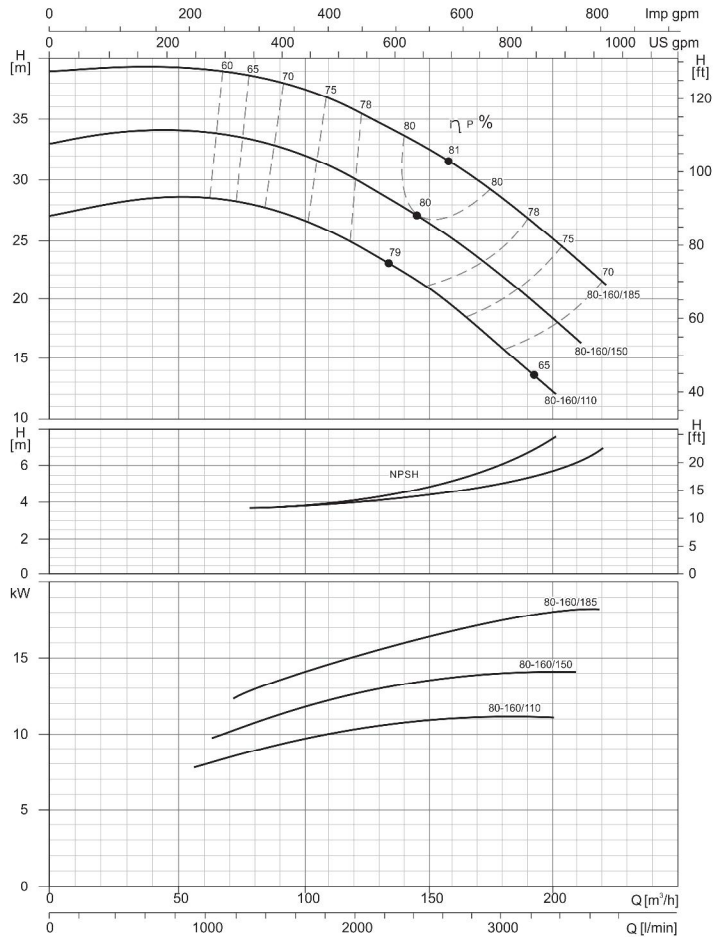
Hydraulic Performance Curve

XST65-250	~2900rpm	ISO 9906 Annex A
------------------	-----------------	-------------------------



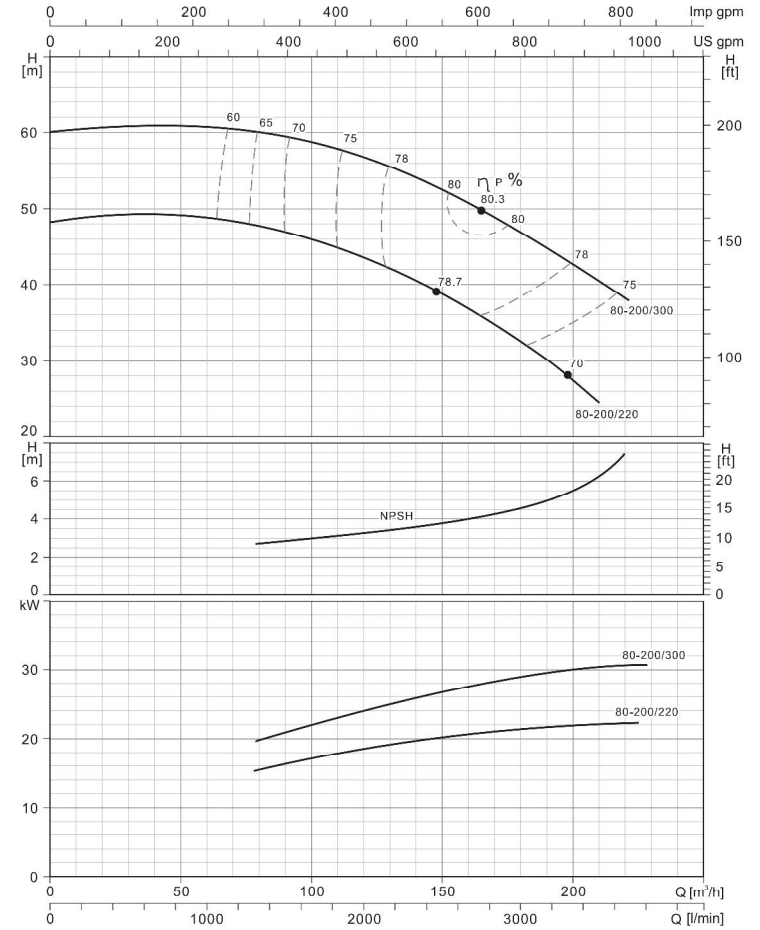
Hydraulic Performance Curve

XST80-160	~2900rpm	ISO 9906 Annex A
------------------	-----------------	-------------------------



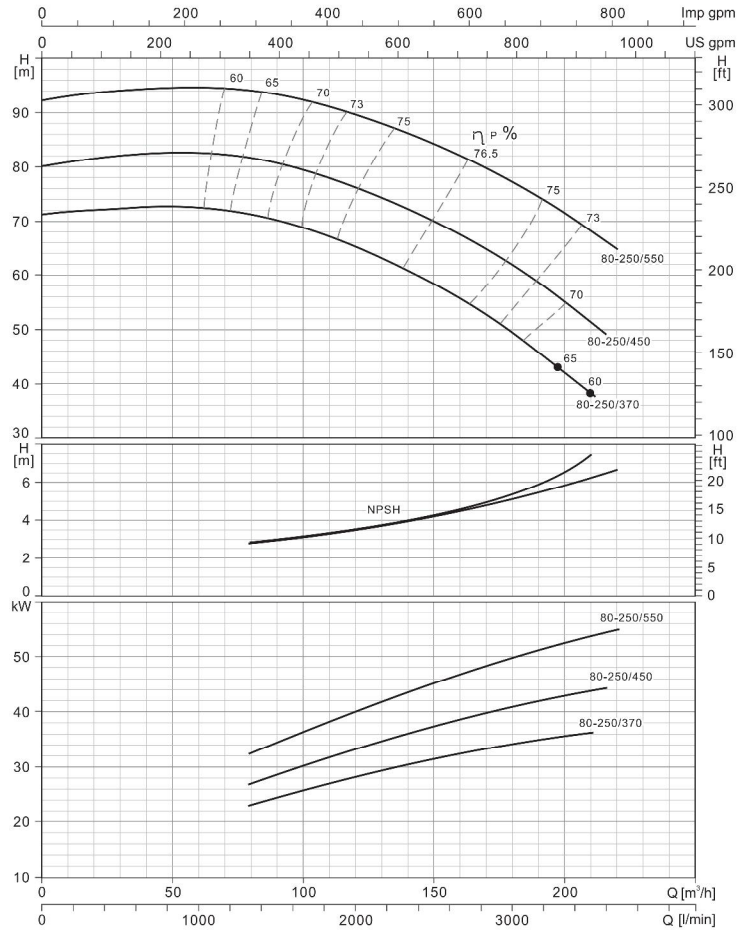
Hydraulic Performance Curve

XST80-200	~2900rpm	ISO 9906 Annex A
------------------	-----------------	-------------------------

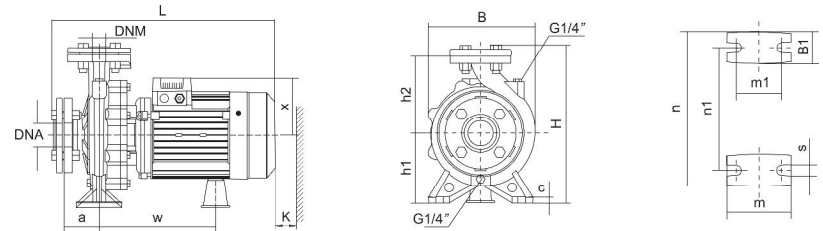


Hydraulic Performance Curve

XST80-250	~2900rpm	ISO 9906 Annex A
------------------	-----------------	-------------------------



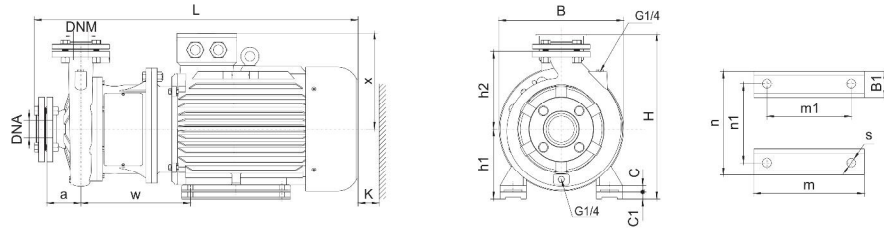
Installation Sketch
up to 7.5 kW included



PUMP TYPE	DNM	DNA	a	h2	w	x	B1	c	h1	m	m1	n	n1	s	B	H	L	K									
32-125/07	32	50	80	140	223	113	48	12	112	100	70	190	140	17	192	281	427	85									
32-125/11				231	123	16	132																				
32-160/15				160	266	141	50	16																			
32-160/22				180	258	127	48	12																			
32-160/30				100	230	254	180	65	14										180	125	95	320	250				
32-200/30				140	255	127	45	112	210										160								
32-200/40	168	238	127	48	12	132	100	70	240	190	248	369	490														
32-250/55	40	65	80	140	255	127	45	112	100	70	240	190	17	218	282	489	95										
40-125/11				168	238	127	48	12										132	100	70	240	190					
40-125/15				180	259	180	50	160										264	212	275	370	553	583				
40-160/30				100	180	259	180	50										160	264	212	275	370	553	583			
40-160/40				160	262	127	50	132										100	70	260	190	243	322	518			
40-200/55				180	262	180	52	160										264	212	272	370	556	586				
40-200/75	50	65	100	160	262	127	50	132	100	70	260	190	17	243	322	518	110										
40-125/11				180	262	180	52	160										264	212	272	370	556	586				
40-125/15				180	262	180	52	160										264	212	272	370	556	586				
40-160/30				100	180	265	180	68										14	160	125	95	280	212	283	372	564	594
40-160/40				160	262	127	50	132										100	70	260	190	243	322	518			
40-200/55				180	262	180	52	160										264	212	272	370	556	586				
40-200/75	65	80	100	180	265	180	68	14	160	125	95	280	212	283	372	564	594										
50-125/22				160	262	127	50	132	100	70	260	190	243	322	518												
50-125/30				180	262	180	52	160	264	212	272	370	556	586													
50-125/40	65	80	100	180	265	180	68	14	160	125	95	280	212	283	372	564	594										
50-160/55				160	262	127	50	132	100	70	260	190	243	322	518												
50-160/75				180	262	180	52	160	264	212	272	370	556	586													
65-125/40	65	80	100	180	265	180	68	14	160	125	95	280	212	283	372	564	594										
65-125/55				160	262	127	50	132	100	70	260	190	243	322	518												
65-125/75	180	265	180	68	14	160	125	95	280	212	283	372	564	594													

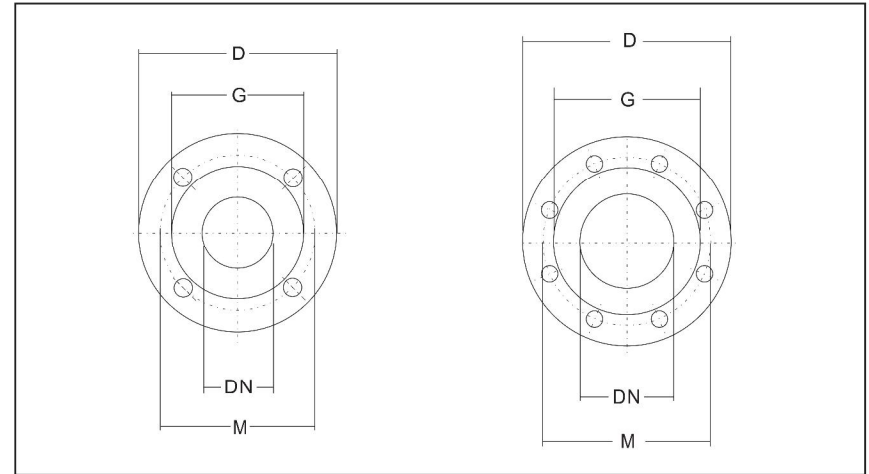
Installation Sketch

From 7.5 kW



PUMP TYPE	DNM	DNA	a	h2	w	x	B1	C	C1	h1	m	m1	n	n1	s	B	H	L	K
40-250/92	40	65	100	225	310	260	65	20	20	180	260	210	320	254	15	350	440	845	110
40-250/110																			
40-250/150																			
50-200/92	50	65	100	200	310	260	65	20	20	160	260	210	320	254	15	350	420	845	120
50-200/110																			
50-250/150																			
50-250/185																			
50-250/220																			
50-250/220																			
65-160/92	65	80	100	200	310	260	65	20	20	160	260	210	320	254	15	350	420	845	125
65-160/110																			
65-160/150																			
65-200/150																			
65-200/185																			
65-200/220																			
65-250/220																			
65-250/300																			
65-250/370																			
80-160/110				80						100							125		
80-160/150																			
80-160/185																			
80-200/220																			
80-200/300																			
80-250/370																			
80-250/450																			
80-250/550																			
80-250/110																			
80-250/150																			
80-250/220																			
80-250/300																			
80-250/370																			
80-250/450																			
80-250/550																			

Flange Dimensions



PN16 FLANGES

DN	D	M	G	HOLES		MAX. THICKNESS
				N°	∅	
32	140	100	78	4	18	18
40	150	110	88	4	18	18
50	165	125	102	4	18	20
65	185	145	122	4	18	20

PN16 FLANGES

DN	D	M	G	HOLES		MAX. THICKNESS
				N°	∅	
80	200	160	138	8	18	22
100	220	180	158	8	18	22

ECH

Horizontal Multistage Stainless Steel Pumps

Application

- It is applicable to household water supply, equipment support, pipeline pressurization, garden watering, vegetable greenhouse watering, fish farming and poultry raising, industrial and mining, water supply and drainage of enterprises and high-rise buildings, central air conditioner and centralized heating circulation system, etc.

Pump

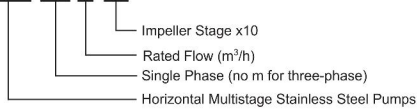
- AISI 304 shaft
- Max. liquid temperature: +85°C
- Altitude: up to 1000m
- Max. suction: 8 m
- Max. inlet pressure: limited by Max. operating pressure

Motor

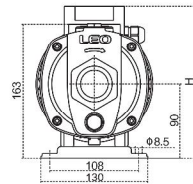
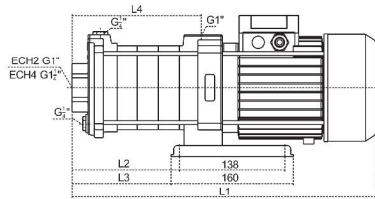
- Motor with copper winding
- Built-in thermal protector for single phase motor
- Insulation class: F
- Protection class: IP44
- Max. ambient temperature: +40°C

Identification Codes

ECH (m) 4- 30

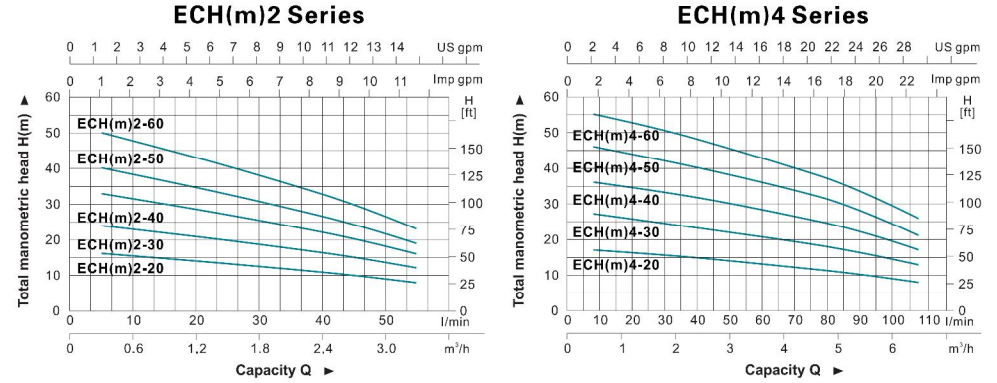


Dimension



Model	L1	L2	L3	L4	H		Kg	
					Single-phase	Three-phase	Single-phase	Three-phase
ECH(m)2-20	333	75	64	103.5	211	185	11.5	11.7
ECH(m)2-30	352	93.5	82.5	122	211	185	11.8	12.0
ECH(m)2-40	370	112	101	140.5	211	185	12.7	12.8
ECH(m)2-50	389	130.5	119.5	159	211	185	13.0	13.1
ECH(m)2-60	407	149	138	177.5	211	185	13.8	14.0
ECH(m)4-20	342	85.5	74.5	114	211	185	12.5	12.6
ECH(m)4-30	370	113	102	141.5	211	185	12.8	13.0
ECH(m)4-40	398	140.5	129.5	169	211	185	14.2	14.4
ECH(m)4-50	426	168	157	196.5	211	185	15.1	15.2
ECH(m)4-60	453	195.5	184.5	224	211	185	15.4	15.5

Hydraulic Performance Curve

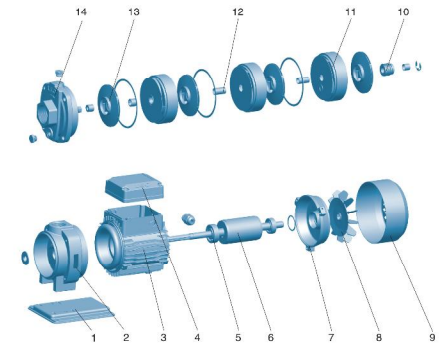


Model	Power		Q (m³/h)		Q (l/min)						
	kW	HP	0	0.6	1.2	1.8	2.4	3.0	3.6		
ECH(m)2-20	0.37	0.5	0	10	18	16	15	13	12	10	8
ECH(m)2-30	0.37	0.5	0	10	27	24	22	20	18	16	12
ECH(m)2-40	0.55	0.75	0	10	35	33	30	26	24	21	16
ECH(m)2-50	0.55	0.75	0	10	45	40	37	33	30	24	19
ECH(m)2-60	0.75	1.0	0	10	53	50	45	40	36	30	23

Model	Power		Q (m³/h)		Q (l/min)							
	kW	HP	0	1	2	3	4	5	6	7		
ECH(m)4-20	0.55	0.75	0	17	18	17	16	15	13	12	10	8
ECH(m)4-30	0.55	0.75	0	17	28	27	25	23	21	19	16	13
ECH(m)4-40	0.75	1.0	0	17	38	36	34	32	28	26	22	17
ECH(m)4-50	1.1	1.5	0	17	48	46	43	40	36	33	28	21
ECH(m)4-60	1.1	1.5	0	17	58	55	52	48	43	39	33	26

Materials Table

No.	Part	Material
1	Bottom plate	Q235
2	Support	Cast iron
3	Stator	
4	Terminal box	ABS
5	Bearing	
6	Rotor	
7	End plate	ZL102
8	Fan	PP
9	Fan cover	08F
10	Mechanical seal	Carbon/ceramic
11	Diffuser	AISI 304
12	Gleeve	AISI 304
13	Impeller	AISI 304
14	Pump body	Cast iron



EDH

Horizontal Multistage Stainless Steel Pumps

Application

- It is applicable to household water supply, equipment support, pipeline pressurization, garden watering, vegetable greenhouse watering, fish farming and poultry raising, industrial and mining, water supply and drainage of enterprises and high-rise buildings, central air conditioner and centralized heating circulation system, etc.

Pump

- AISI304 shaft
- Max. Liquid temperature: +85°C
- Altitude: up to 1000m
- Max. suction: 8 m
- Max. inlet pressure: limited by Max. operating pressure

Motor

- Motor with copper winding
- Built-in thermal protector for single phase motor
- Insulation class: F
- Protection class: IP44
- Max. ambient temperature: +40°C

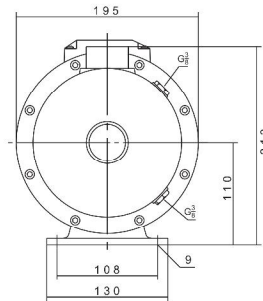
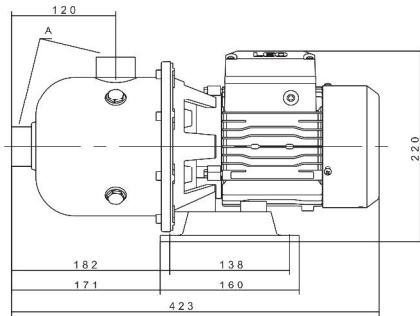
Identification Codes

EDH m 4 - 60

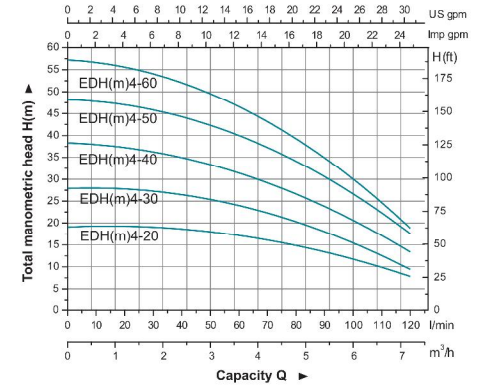
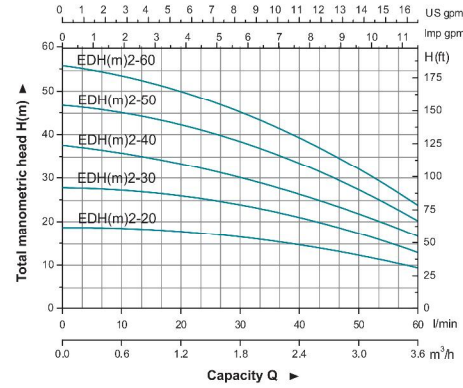
- Impeller Stage x 10
- Rated Flow (m³/h)
- Single phase (Three-phase model without m)
- Horizontal Multistage Stainless Steel Pumps



Dimension



Hydraulic Performance Curve

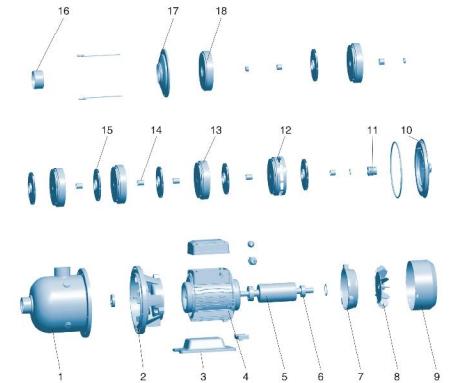


Model		Power (P2)		Q (m ³ /h)		Q (l/min)										A
Single-phase	Three-phase	kW	HP	0	0.4	0.8	1.2	1.6	2.0	2.4	2.8	3.2	3.6	60		
EDHm2-20	EDH2-20	0.37	0.5	H (m)	19	18.5	18	17.5	17	16.5	15	13.5	11	9	G1	
EDHm2-30	EDH2-30	0.37	0.5		28	27.5	26.5	25.5	24.5	23.5	21.5	18.5	15.5	13	G1	
EDHm2-40	EDH2-40	0.55	0.75		37.5	36.2	35	33.5	31.5	29	26	23	20	17	G1	
EDHm2-50	EDH2-50	0.55	0.75		47	45.5	44	42.5	39	37	34	29.5	25	20	G1	
EDHm2-60	EDH2-60	0.75	1.0		56	54	52.5	49.5	47	44	39	34.5	29	24	G1	

Model		Power (P2)		Q (m ³ /h)		Q (l/min)										A
Single-phase	Three-phase	kW	HP	0	0.8	1.6	2.4	3.2	4.0	4.8	5.6	6.4	7.2	120		
EDHm4-20	EDH4-20	0.55	0.5	H (m)	19.8	19	18.5	18	17.5	16.8	15.8	13.5	10	7.5	G1½	
EDHm4-30	EDH4-30	0.55	0.5		28.5	27.8	26.8	26	25	23.5	20	17.5	14.5	8.5	G1½	
EDHm4-40	EDH4-40	0.75	0.75		38.5	37.5	36.5	35	32.5	29.8	27.5	22.5	18	13.5	G1½	
EDHm4-50	EDH4-50	1.1	0.75		48	47.5	46.5	44.5	42	38	34.5	28	24	18	G1½	
EDHm4-60	EDH4-60	1.1	1.0		57.5	56	54.5	52	48	45.5	39	33.5	26	19	G1½	

Materials Table

No.	Part	Material
1	Pump body	AISI 304
2	Support	ZL102
3	Bottom plate	Cast iron
4	Stator	
5	Rotor	
6	Bearing	
7	End plate	ZL102
8	Fan	PP
9	Fan cover	68F
10	Bracket cover	AISI 304
11	Mechanical seal	Carbon/ceramic
12	Diffuser 3	AISI 304
13	Diffuser 2	AISI 304
14	Steeve	AISI 304
15	Impeller	AISI 304
16	Spacer bush	AISI 304
17	Pressure plate	AISI 304
18	Diffuser 1	AISI 304



Application

- Suitable for transferring liquids of low viscosity, non-inflammable and non-explosive, not containing solid particles or fibers.
- Water supply & drainage for high-rise buildings, filtration and transfer at waterworks, pressure boosting in main pipe.
- Washing and cleaning systems, boiler feeding, cooling water circulation, water treatment systems, auxiliary system, support equipment.
- Ultra-filtration systems, reverse-osmosis systems, distillation systems, separators, swimming pools. Agricultural irrigation: sprinkler irrigation, drip-feed irrigation Food & beverage industry.
- Fire-fighting system.

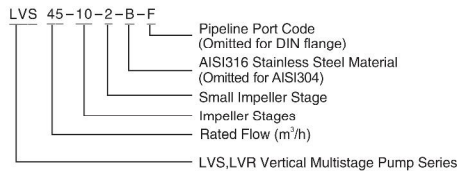
Operating Conditions

- Low viscosity, non-inflammable and non-explosive liquids not containing solid particles or fibers. The liquids must not chemically attack the pump materials. When pumping liquids with a density or viscosity is higher than that of water, a motor with a higher output power rating shall be used.
- Liquid temperature: -20°C~+120°C
- Flow ranges: 0.7-85m³/h
- Liquid pH value: 4 - 10
- Max. ambient temperature: +40°C
- Max. operation pressure: 33bar
- Altitude: up to 1000m

Motor

- Totally enclosed & fan-cooled motor
- Protection class: IP55
- Standard voltage: 50Hz 1 × 220V/3 × 380V

Identification Codes



LVS: Stainless steel wetted parts
LVR: Cast iron base & pump cover

Identifications codes of flange structure

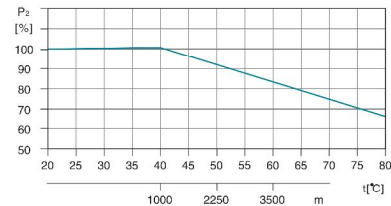
F: DIN flange ; A: Oval flange
K: Clamp connector ; G: Threaded connector



Ambient Temperature

Max. ambient temperature: +40°C. Ambient temperature above 40°C or installation at altitude of more than 1000 meters above sea level require the use of an oversize motor. Because of low air density and poor cooling effects, the motor output power P₂ will be decreased. See the picture.

In such cases, it may be necessary to use a motor with a higher output power rating.



For example, when the pump is installed at altitude of more than 3500 meters above sea level, P₂ will be decreased to 88%. When the ambient temperature is 70°C, P₂ will be decreased to 78%.

Minimum Inlet Pressure-Npsh

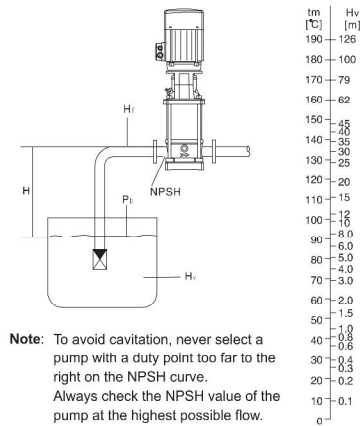
Calculation of the inlet pressure "H" is recommended in these situations:

- The liquid temperature is high.
- The flow is significantly higher than the rated flow.
- Water is drawn from depths.
- Water is drawn through long pipes.
- Inlet conditions are poor.

To avoid cavitation, make sure that there is a minimum pressure on the suction side of the pump. The maximum suction lift "H" in meters head can be calculated as follows:

H	= P _b × 10.2 - NPSH - H _f - H _s
P _b	= Barometric pressure in bar. (Barometric pressure can be set to 1 bar). In closed systems, P _b indicates the system pressure in bar.
NPSH	= Net Positive Suction Head in meters head. (To be read from the NPSH curve at the highest flow the pump will be delivering.)
H _f	= Friction loss in suction pipe in meters head. (At the highest flow the pump will be delivering.)
H _v	= Vapor pressure in meters head. (To be read from the vapor pressure scale, "H _v " depends on the liquid temperature "tm")
H _s	= Safety margin = minimum 0.5 meters head.

If the "H" calculated is positive, the pump can operate at a suction lift of maximum "H" meters head.
If the "H" calculated is negative, an inlet pressure of minimum "H" meters head is required.



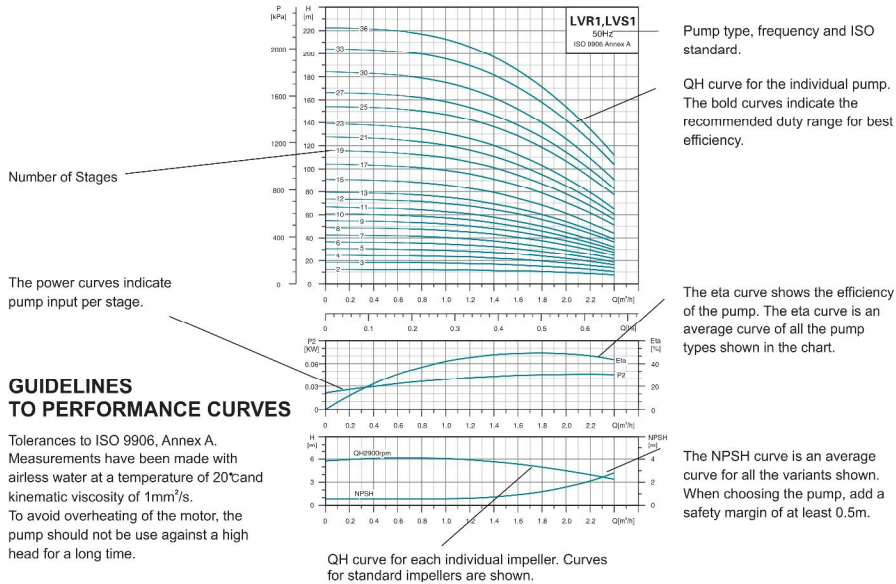
Note: To avoid cavitation, never select a pump with a duty point too far to the right on the NPSH curve. Always check the NPSH value of the pump at the highest possible flow.

Maximum Inlet Pressure

The following table shows the maximum permissible inlet pressure. However, the current inlet pressure + the pressure against a closed valve must always be lower than the Max. permissible operating pressure. If the maximum permissible operating pressure is exceeded, the bearing in the motor may be damaged and the life of the shaft seal reduced.

Pump Type	Maximum Inlet Pressure [bar]
LVR1, LVS1	
1-2	1-36
10	
LVR2, LVS2	
2-2	6
2-3	2-12
10	
2-13	2-26
15	
LVR3, LVS3	
3-2	3-29
10	
3-31	3-26
15	
LVR4, LVS4	
4-2	6
4-3	4-11
10	
4-12	4-22
15	
LVR5, LVS5	
5-2	5-16
10	
5-18	5-29
15	
LVR10, LVS10	
10-1	10-6
8	
10-7	10-22
10	
LVR15, LVS15	
15-1	15-3
8	
15-4	15-17
10	
LVR20, LVS20	
20-1	20-3
8	
20-4	20-17
10	
LVR32, LVS32	
32-1-1	32-4
4	
32-5-2	32-10
10	
32-11	32-14
15	
LVR45, LVS45	
45-1-1	45-2
4	
45-3-2	45-5
10	
45-6-2	45-13-2
15	
LVR64, LVS64	
64-1-1	64-2-2
4	
64-2-1	64-4-2
10	
64-4-1	64-8-1
15	

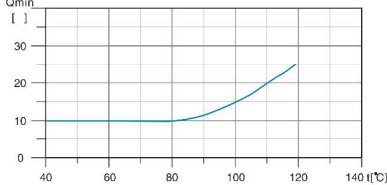
How To Read The Curve Charts



Minimum Flow Rate

Due to the risk of overheating, the pump should not be used at a flow below the minimum flow rate. The curve below shows the minimum flow rate as a percentage of the nominal flow rate in relation to the liquid temperature.

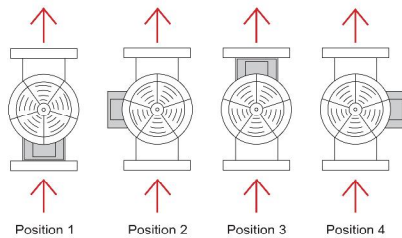
Air cooling apparatus



Note: The outlet valve must be opened when the pump is in operation.

Terminal Box Positions

(Note: set to position 1 before delivery)

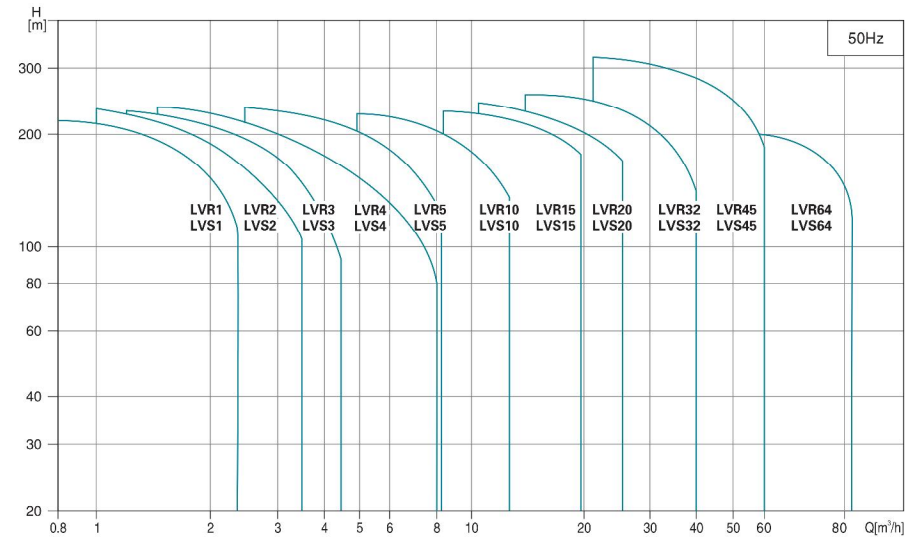


Product Range

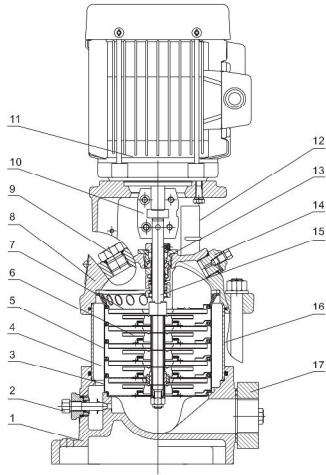
MODEL	LVR(S)1	LVR(S)2	LVR(S)3	LVR(S)4	LVR(S)5	LVR(S)10	LVR(S)15	LVR(S)20	LVR(S)32	LVR(S)45	LVR(S)64
DESCRIPTION											
Rated flow [m ³ /h]	1	2	3	4	5	10	15	20	32	45	64
Flow range [m ³ /h]	0.7–2.4	1.0–3.5	1.2–4.5	2–8	2.5–8.5	5–13	9–24	11–29	15–40	22–58	30–85
Max. pressure [bar]	22	23	24	21	24	22	23	25	28	33	22
Motor power [kW]	0.37–2.2	0.37–3	0.37–3	0.37–4	0.37–4	0.37–7.5	1.1–15	1.1–18.5	1.5–30	3–45	4–45
Temperature Range [°C]	–20°C – +120°C (Note: Both the Max. permissible pressure and liquid temperature range refer to the pump capacity.)										
Max. pump efficiency [%]	45	46	55	59	60	65	70	72	78	79	80
Pipe connection-LVR											
Oval flange	G1	G1	G1	G1 1/4	G1 1/4	–	–	–	–	–	–
DIN flange	–	–	–	–	–	DN 42	DN 50	DN 50	DN 65	DN 80	DN 100
Flange structure	○	○	○	○	○	○	○	○	●	●	●
Pipe connection-LVS											
Oval flange	–	–	–	–	–	–	–	–	–	–	–
DIN flange	DN 32	DN 32	DN 32	DN 32	DN 32	DN 42	DN 50	DN 50	DN 65	DN 80	DN 100
Clamp connector	φ42	φ42	φ42	φ42	φ42	–	–	–	–	–	–
Threaded connector	G1 1/4	G1 1/4	G1 1/4	G1 1/4	G1 1/4	–	–	–	–	–	–
Flange structure	●	●	●	●	●	●	●	●	●	●	●

Note: ○ It means stationary flange structure, ● It means dynamic flange structure

Scope Of Performance–LVR, LVS

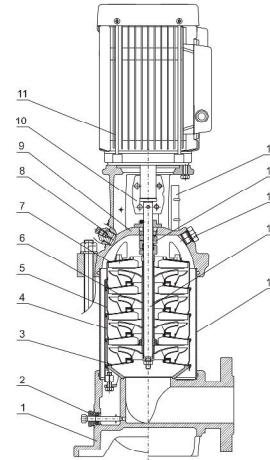


Cross Section



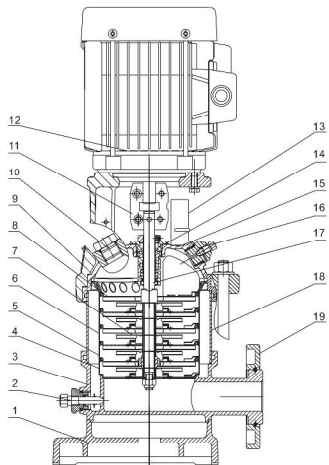
MODEL: LVR1(2,3,4,5)

Part	Material	
1	Base	HT200
2	Drainage plug assembly	AISI304
3	Primary diffuser	AISI304
4	Diffuser with bearing	AISI304
5	Medium diffuser	AISI304
6	Impeller	AISI304
7	Final volute	AISI304
8	Motor base	HT200
9	Filling plug	AISI304
10	Coupling	Iron based powder metallurgy
11	Motor	
12	Guarding plate	AISI304
13	Cartridge seal	
14	Vent plug assembly	AISI304
15	Pump shaft	AISI304
16	Pump barrel	AISI304
17	Oval flange	HT200



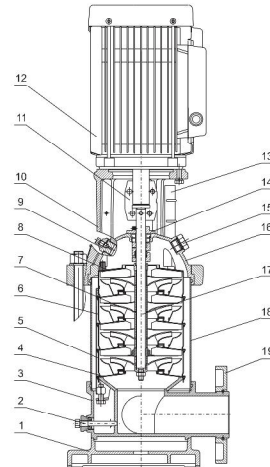
MODEL: LVR10(15,20)

Part	Material	
1	Base	HT200
2	Drainage plug assembly	AISI304
3	Primary diffuser	AISI304
4	Diffuser with bearing	AISI304
5	Medium diffuser	AISI304
6	Impeller	AISI304
7	Final volute	AISI304
8	Filling plug	AISI304
9	Motor base	HT200
10	Coupling	Iron based powder metallurgy
11	Motor	
12	Guarding plate	AISI304
13	Cartridge seal	
14	Vent plug assembly	AISI304
15	Pump shaft	AISI304
16	Pump barrel	AISI304



MODEL: LVS1(2,3,4,5)

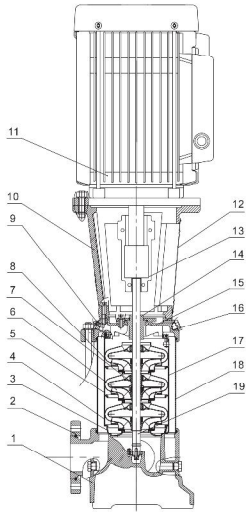
Part	Material	Optional Material	
1	Base plate	HT200	
2	Drainage plug assembly	AISI304	AISI316
3	Chasis	ZG304	ZG316
4	Primary diffuser	AISI304	AISI316
5	Diffuser with bearing	AISI304	AISI316
6	Medium diffuser	AISI304	AISI316
7	Impeller	AISI304	AISI316
8	Final diffuser	AISI304	AISI316
9	Motor base	HT200	
10	Filling plug	AISI304	AISI316
11	Coupling	Iron based powder metallurgy	
12	Motor		
13	Guarding plate	AISI304	
14	Cartridge seal		
15	Pump cover	ZG304	ZG316
16	Vent plug assembly	AISI304	AISI316
17	Pump shaft	AISI304	AISI316
18	Pump barrel	AISI304	AISI316
19	Flange	ZG35	



MODEL: LVS10(15,20)

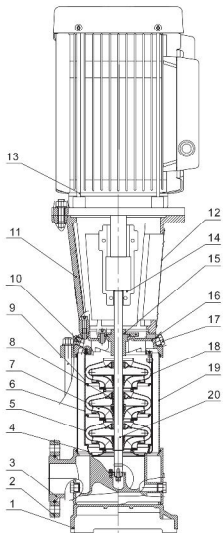
Part	Material	Optional Material	
1	Base plate	HT200	
2	Drainage plug assembly	AISI304	AISI316
3	Chasis	ZG304	ZG316
4	Primary diffuser	AISI304	AISI316
5	Diffuser with bearing	AISI304	AISI316
6	Medium diffuser	AISI304	AISI316
7	Impeller	AISI304	AISI316
8	Final diffuser	AISI304	AISI316
9	Filling plug	AISI304	AISI316
10	Motor base	HT200	
11	Coupling	Iron based powder metallurgy	
12	Motor		
13	Guarding plate	AISI304	
14	Cartridge seal		
15	Vent plug assembly	AISI304	AISI316
16	Pump cover	ZG304	AISI316
17	Pump shaft	AISI304	AISI316
18	Pump barrel	AISI304	AISI316
19	Flange	ZG35	

Cross Section



MODEL: LVR32(45,64,90)

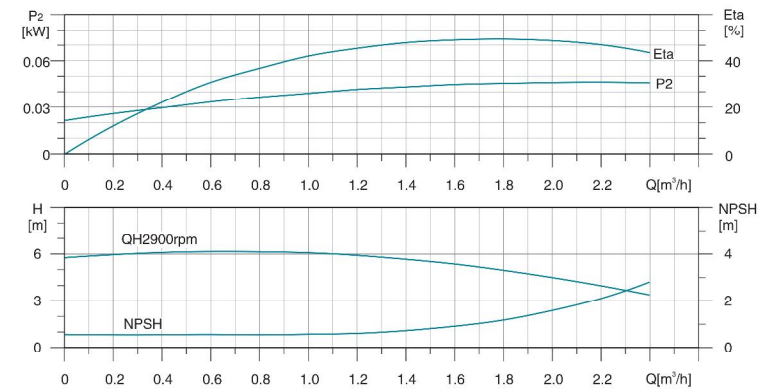
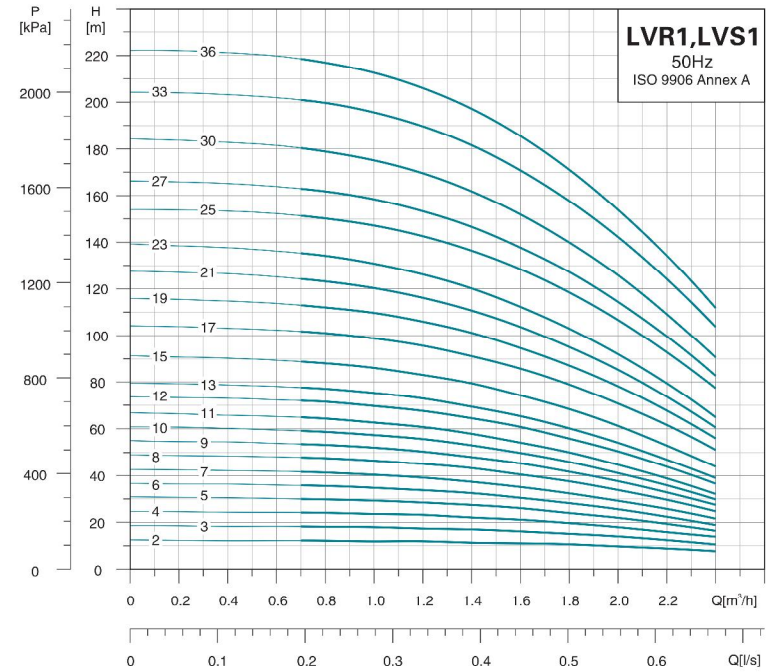
Part	Material	
1	Base	HT200
2	Flange	ZG35
3	Primary diffuser	AISI304
4	Medium diffuser	AISI304
5	Diffuser with bearing	AISI304
6	Impeller	AISI304
7	Shaft sleeve assembly	
8	Final diffuser	AISI304
9	Vent plug assembly	AISI304
10	Motor base	HT200
11	Motor	
12	Guarding plate	AISI304
13	Coupling	QT400
14	Cartridge seal	
15	HT200 Pump head	HT200
16	Filling plug	AISI304
17	Tension plate	AISI304
18	Pump barrel	AISI304
19	Pump shaft	AISI304



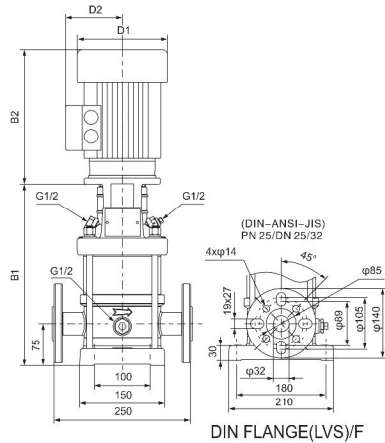
MODEL: LVR32(45,64,90)

Part	Material	Optional Material	
1	Base plate	HT200	
2	Flange	ZG35	
3	Chasis	ZG304	ZG316
4	Primary diffuser	AISI304	AISI316
5	Medium diffuser	AISI304	AISI316
6	Diffuser with bearing	AISI304	AISI316
7	Impeller	AISI304	AISI316
8	Shaft sleeve assembly		
9	Final diffuser	AISI304	AISI316
10	Vent plug assembly	AISI304	AISI316
11	Motor base	HT200	
12	Guarding plate	AISI304	
13	Motor		
14	Coupling	QT400	
15	Cartridge seal		
16	Pump head	ZG304	ZG316
17	Filling plug	AISI304	AISI316
18	Tension plate	AISI304	AISI316
19	Pump barrel	AISI304	AISI316
20	Pump shaft	AISI304	AISI316

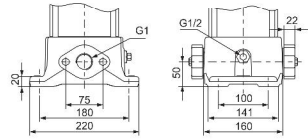
Hydraulic Performance Curves



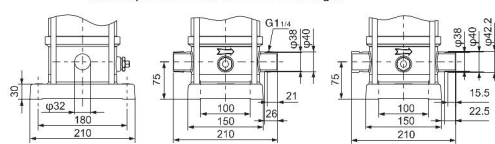
Dimension Drawing



DIN FLANGE(LVS)/F



OVAL FLANGE(LVR)/A



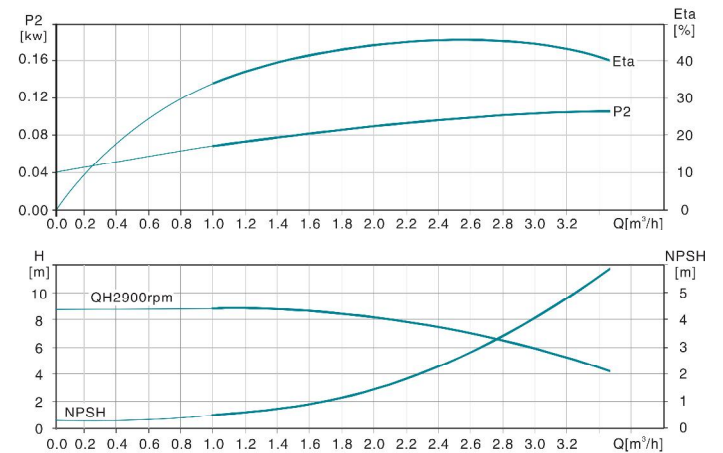
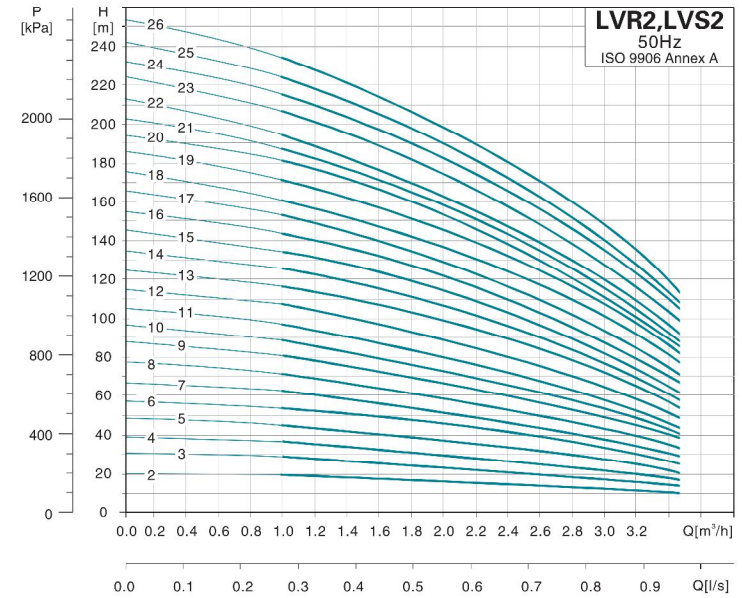
THREADED CONNECTOR (LVS)/G CLAMP CONNECTOR (LVS)/K

MODEL	OVAL FLANGE(LVR)		DIN FLANGE(LVS)		D1	D2
	B1	B1+B2	B1	B1+B2		
1-2	238	468	264	494	136	109
1-3	256	486	282	512	136	109
1-4	274	504	300	530	136	109
1-5	292	522	318	548	136	109
1-6	310	540	336	566	136	109
1-7	328	558	354	584	136	109
1-8	346	576	372	602	136	109
1-9	364	594	390	620	136	109
1-10	382	612	408	638	136	109
1-11	400	630	426	656	136	109
1-12	422	672	448	698	155	124
1-13	440	690	466	716	155	124
1-15	476	726	502	752	155	124
1-17	512	762	538	788	155	124
1-19	548	798	574	824	155	124
1-21	584	834	610	860	155	124
1-23	620	870	646	896	155	124
1-25	672	982	698	1008	175	137
1-27	708	1018	734	1044	175	137
1-30	762	1072	788	1098	175	137
1-33	816	1126	842	1152	175	137
1-36	870	1180	896	1206	175	137

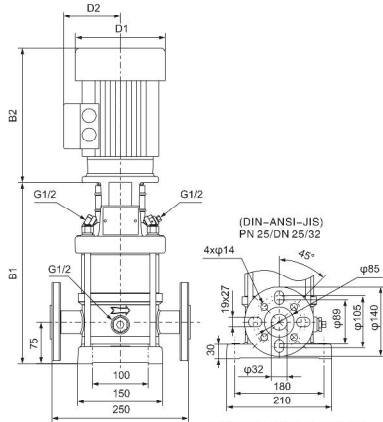
Note: B1 and B1+B2 of clamp connector and threaded connector are in compliance with that of DIN flange.

MODEL	POWER[kW]	Q[m³/h]	0.4	0.6	0.8	1.0	1.2	1.4	1.6	1.8	2.0
1-2	0.37	H(m)	12	12	12	12	12	11	11	10	10
1-3	0.37		18	18	18	18	17	17	16	15	14
1-4	0.37		24	24	24	24	22	22	21	19	18
1-5	0.37		30	30	30	29.5	28	27	26	24	22
1-6	0.37		36	36	35	35	34	32	30	28	25
1-7	0.37		42	42	41	40.5	39	37	35	32	30
1-8	0.55		48	48	47	46.5	45	43	40	38	34
1-9	0.55		54	54	53	52	50	48	45	42	37
1-10	0.55		60	59	58	57.5	55	53	50	46	41
1-11	0.55		65	65	64	63	61	58	54	51	45
1-12	0.75		73	72	71	70	67	64	61	56	50
1-13	0.75		78	78	77	75	73	69	65	60	54
1-15	0.75		90	90	88	86	83	79	74	68	61
1-17	1.1		103	102	101	98	95	91	85	78	70
1-19	1.1		115	114	112	110	106	101	94	87	78
1-21	1.1		126	125	123	120	116	110	103	95	85
1-23	1.1		137	136	134	130	126	120	112	103	92
1-25	1.5		153	152	150	145	142	136	128	119	106
1-27	1.5		165	164	162	157	153	146	137	128	114
1-30	1.5		182	181	178	173	169	162	152	140	126
1-33	2.2		203	202	199	194	189	181	170	158	142
1-36	2.2		221	220	217	210	206	197	185	170	154

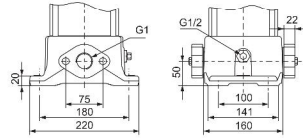
Hydraulic Performance Curves



Dimension Drawing



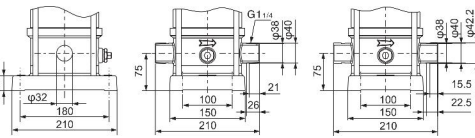
DIN FLANGE(LVS)/F



OVAL FLANGE(LVR)/A

MODEL	OVAL FLANGE(LVR)		DIN FLANGE(LVS)		D1	D2
	B1	B1+B2	B1	B1+B2		
2-2	220	440	245	465	140	110
2-3	238	458	263	483	140	110
2-4	256	476	281	501	140	110
2-5	274	494	299	519	140	110
2-6	297	547	322	572	160	125
2-7	315	565	340	590	160	125
2-8	333	583	358	608	160	125
2-9	351	601	376	626	160	125
2-10	369	619	394	644	160	125
2-11	387	637	412	662	160	125
2-12	422	712	447	737	180	125
2-13	440	730	465	755	180	125
2-14	458	748	483	773	180	125
2-15	476	766	501	791	180	125
2-16	494	784	519	809	180	125
2-17	512	802	537	827	180	125
2-18	530	820	555	845	180	125
2-19	548	838	573	863	180	125
2-20	566	856	591	881	180	125
2-21	584	874	609	899	180	125
2-22	602	892	627	917	180	125
2-23	628	958	653	983	190	140
2-24	646	976	671	1001	190	140
2-25	664	994	689	1019	190	140
2-26	682	1012	707	1037	190	140

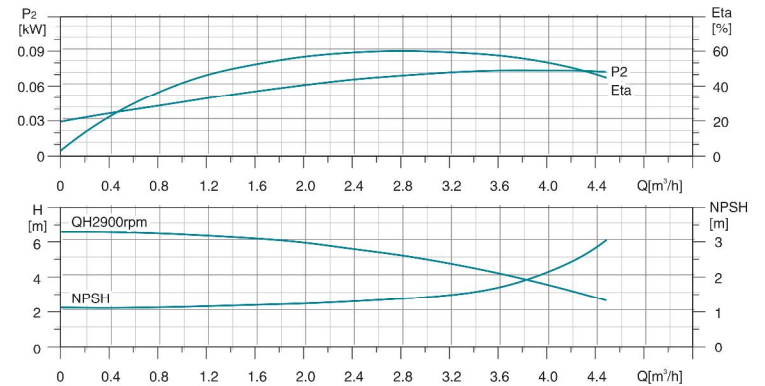
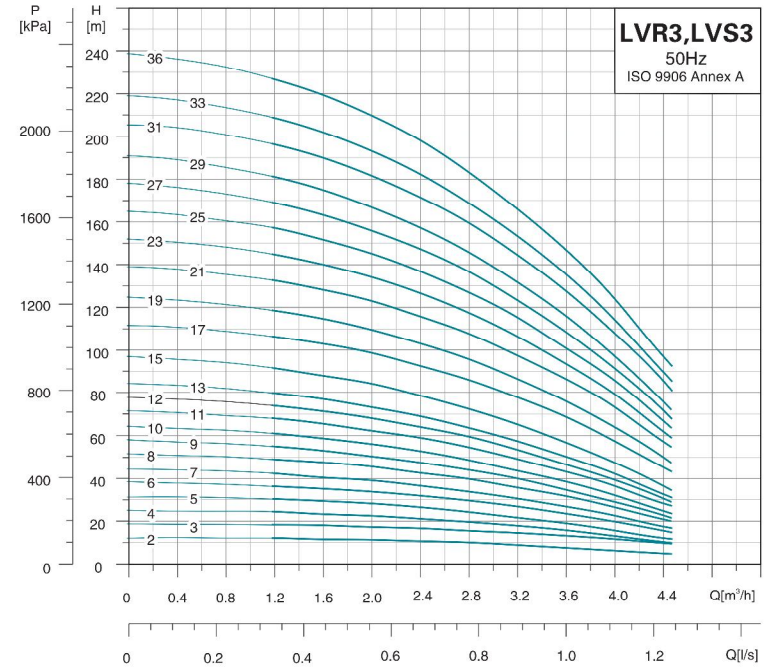
Note: B1 and B1+B2 of clamp connector and threaded connector are in compliance with that of DIN flange.



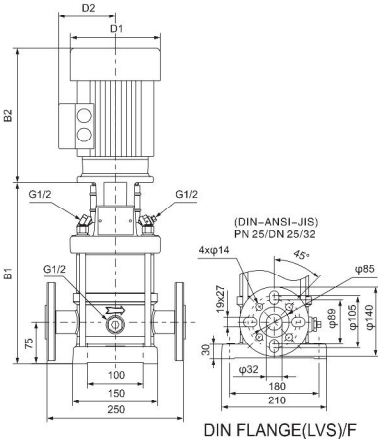
THREADED CONNECTOR (LVS)/G CLAMP CONNECTOR (LVS)/K

MODEL	POWER[kW]	Q[m ³ /h]	1.0	1.2	1.6	2.0	2.5	2.8	3.2	3.5
2-2	0.37	H(m)	18	17	16	15.5	13.5	12	10	8
2-3	0.37		27	26	24	22.5	19.5	18	15	12
2-4	0.55		36	35	33	30.5	27	24	17	16
2-5	0.55		45	43	40	37	32.5	30	24	20
2-6	0.75		53	52	50	45.5	40	36	30	24
2-7	0.75		63	61	57	52	45.5	41	35	28
2-8	1.1		71	69	65	59	51	47	40	33
2-9	1.1		80	78	73	68.5	60	54	45	37
2-10	1.1		89	86	81	74	65	59	49	40
2-11	1.1		98	95	89	82	71.5	64	54	44
2-12	1.5		107	103	97	90	78	71	59	47
2-13	1.5		116	114	106	98	86.5	78	65	52
2-14	1.5		125	122	114	105	92	84	69	57
2-15	1.5		134	130	123	112	98	90	73	60
2-16	2.2		143	139	131	120	104	96	79	66
2-17	2.2		152	148	139	128	111	102	85	70
2-18	2.2		161	157	148	136	122	108	91	76
2-19	2.2		170	165	156	143	128	113	95	81
2-20	2.2		179	174	164	150	134	119	100	85
2-21	2.2		188	183	172	157	140	124	105	88
2-22	2.2		197	192	180	165	145	130	110	90
2-23	3.0		205	201	188	173	153	137	105	97
2-24	3.0		214	210	197	181	160	144	120	105
2-25	3.0		223	219	205	189	168	151	125	107
2-26	3.0		232	228	214	198	176	158	130	110

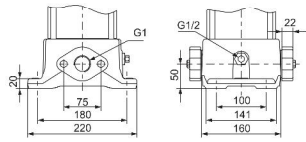
Hydraulic Performance Curves



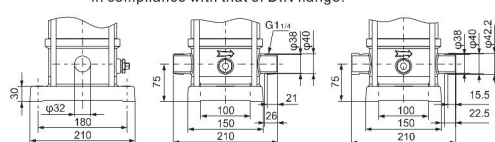
Dimension Drawing



DIN FLANGE(LVS)/F



OVAL FLANGE(LVR)/A



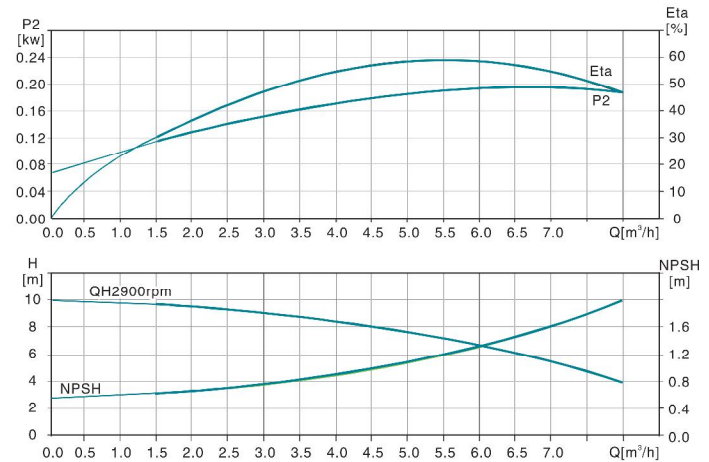
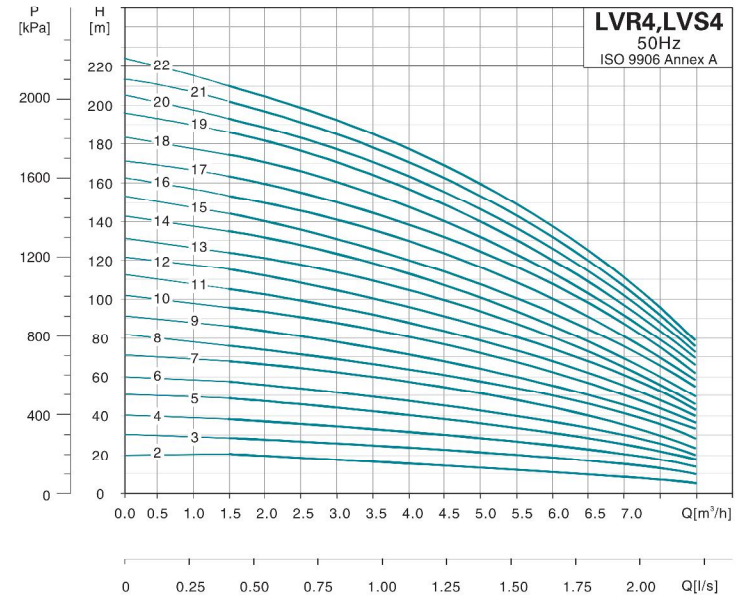
THREADED CONNECTOR (LVS)/G CLAMP CONNECTOR (LVS)/K

MODEL	OVAL FLANGE(LVR)		DIN FLANGE(LVS)		D1	D2
	B1	B1+B2	B1	B1+B2		
3-2	238	468	264	494	136	109
3-3	256	486	282	512	136	109
3-4	274	504	300	530	136	109
3-5	292	522	318	548	136	109
3-6	310	540	336	566	136	109
3-7	328	558	354	584	136	109
3-8	350	600	376	626	155	124
3-9	368	618	394	644	155	124
3-10	386	636	412	662	155	124
3-11	404	654	430	680	155	124
3-12	422	672	448	698	155	124
3-13	440	690	466	716	155	124
3-15	476	726	502	752	155	124
3-17	528	838	554	864	175	137
3-19	564	874	590	900	175	137
3-21	600	910	626	936	175	137
3-23	636	946	662	972	175	137
3-25	672	982	698	1008	175	137
3-27	708	1018	734	1044	175	137
3-29	744	1054	770	1080	175	137
3-31	784	1114	810	1140	195	151
3-33	820	1150	846	1176	195	151
3-36	874	1204	900	1230	195	151

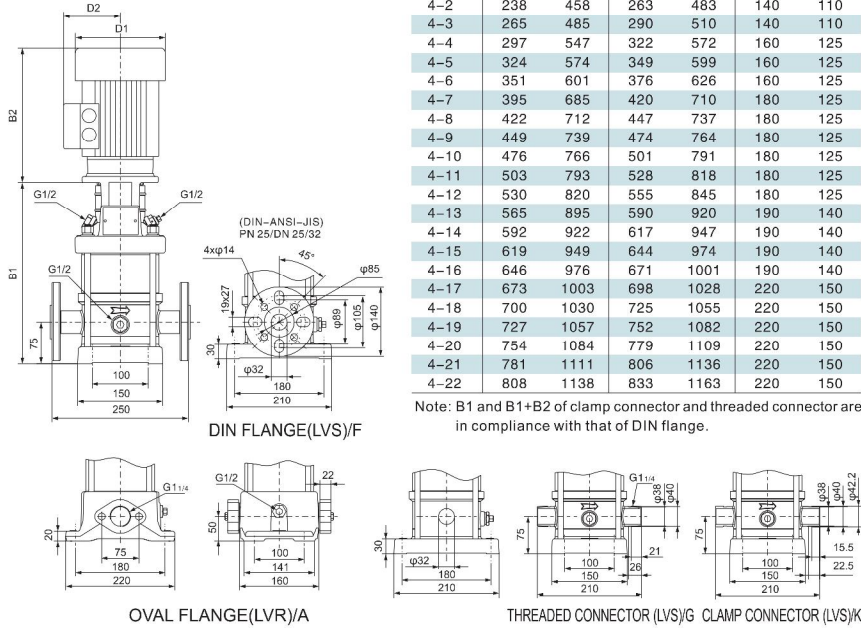
Note: B1 and B1+B2 of clamp connector and threaded connector are in compliance with that of DIN flange.

MODEL	POWER[kW]	Q[m ³ /h]	1.2	1.6	2.0	2.4	2.8	3	3.6	4.0
3-2	0.37	H(m)	13	12	12	11	11	10	8	7.5
3-3	0.37		19	19	18	17	16	15	14	12
3-4	0.37		25	24	23	22	20	19	17	14
3-5	0.37		31	31	29	27	25	24	20	17
3-6	0.55		37	36	35	33	30	28	24	21
3-7	0.55		43	40	40	37	35	32	28	24
3-8	0.75		51	48	47	44	41	38	33	28
3-9	0.75		56	54	51	48	45	42	36	30
3-10	0.75		62	60	57	54	50	46	40	33
3-11	1.1		69	66	63	60	56	51	44	38
3-12	1.1		75	72	69	65	61	56	48	41
3-13	1.1		80	78	74	70	65	60	51	44
3-15	1.1		92	89	85	80	73	68	58	49
3-17	1.5		107	104	100	94	87	78	70	59
3-19	1.5		119	116	111	104	97	87	77	65
3-21	2.2		133	129	124	117	109	97	88	75
3-23	2.2		146	141	135	128	119	105	95	81
3-25	2.2		158	153	146	138	128	115	102	87
3-27	2.2		170	164	157	148	138	124	110	93
3-29	2.2		182	176	168	159	147	133	118	100
3-31	3.0		197	191	183	173	161	142	128	110
3-33	3.0		210	203	194	194	170	152	137	116
3-36	3.0		228	221	211	200	185	165	149	126

Hydraulic Performance Curves



Dimension Drawing

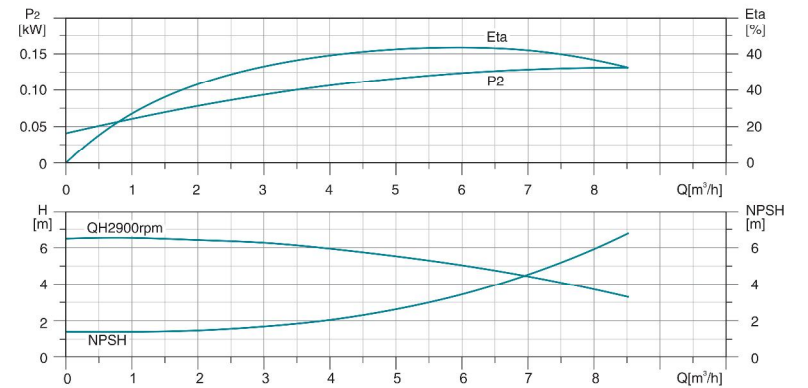
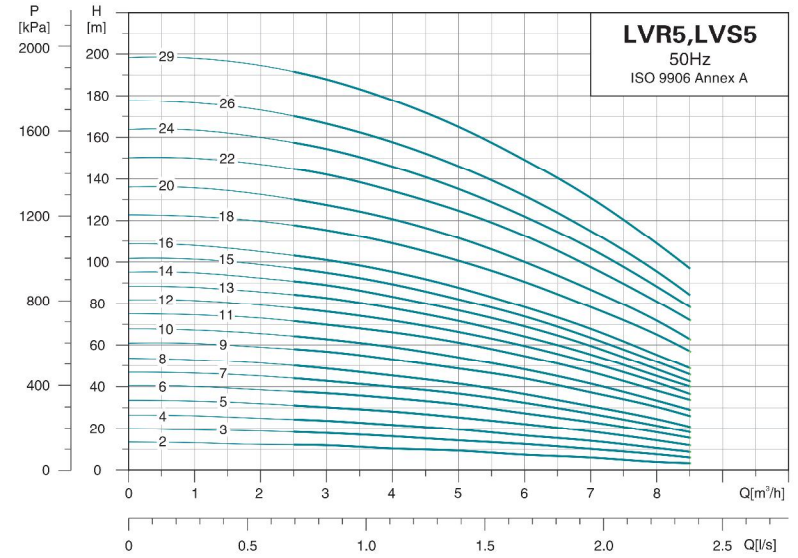


MODEL	OVAL FLANGE(LVR)		DIN FLANGE(LVS)		D1	D2
	B1	B1+B2	B1	B1+B2		
4-2	238	458	263	483	140	110
4-3	265	485	290	510	140	110
4-4	297	547	322	572	160	125
4-5	324	574	349	599	160	125
4-6	351	601	376	626	160	125
4-7	395	685	420	710	180	125
4-8	422	712	447	737	180	125
4-9	449	739	474	764	180	125
4-10	476	766	501	791	180	125
4-11	503	793	528	818	180	125
4-12	530	820	555	845	180	125
4-13	565	895	590	920	190	140
4-14	592	922	617	947	190	140
4-15	619	949	644	974	190	140
4-16	646	976	671	1001	190	140
4-17	673	1003	698	1028	220	150
4-18	700	1030	725	1055	220	150
4-19	727	1057	752	1082	220	150
4-20	754	1084	779	1109	220	150
4-21	781	1111	806	1136	220	150
4-22	808	1138	833	1163	220	150

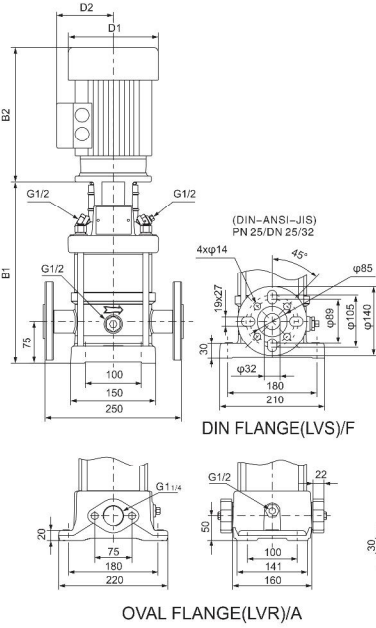
Note: B1 and B1+B2 of clamp connector and threaded connector are in compliance with that of DIN flange.

MODEL	POWER[kW]	Q[m ³ /h]	1.5	2.0	3.0	4.0	5.0	6.0	7.0	8.0
4-2	0.37	H(m)	19	18	17	14.5	13	10.5	8	6
4-3	0.55		28	27	26	23.5	20	18	14	10
4-4	0.75		38	36	34	31.5	27	24.5	18	13
4-5	1.1		47	45	43	40.5	34	31.5	23	17
4-6	1.1		56	54	52	47.5	41	36	28	20
4-7	1.5		66	63	61	57	48	44.5	34	24
4-8	1.5		74	72	70	64	55	49.5	38	27
4-9	2.2		86	81	78	72	63	56	44	32
4-10	2.2		96	90	87	81	71	64	50	34
4-11	2.2		105	99	95	88	78	69	53	39
4-12	2.2		114	108	104	96	85	75	57	41
4-13	3.0		123	117	113	103	93	83	63	45
4-14	3.0		136	126	122	114	101	90	69	48
4-15	3.0		142	135	131	120	108	96	73	52
4-16	3.0		152	144	140	129	115	102	78	55
4-17	4.0		163	153	149	137	122	108	83	62
4-18	4.0		175	162	158	145	129	115	89	65
4-19	4.0		183	171	168	155	137	123	95	67
4-20	4.0		192	180	176	161	144	128	99	72
4-21	4.0		203	210	184	169	152	134	103	75
4-22	4.0		211	200	192	177	160	139	108	79

Hydraulic Performance Curves



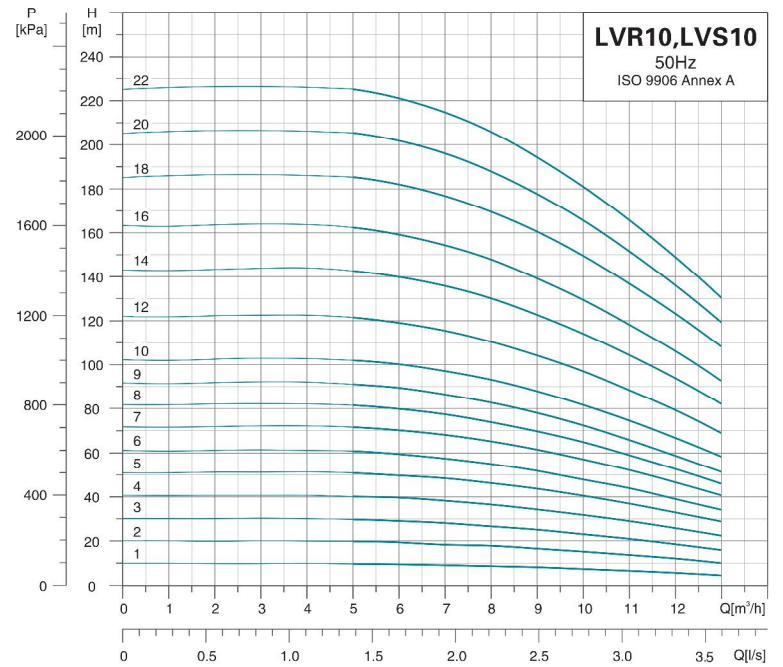
Dimension Drawing



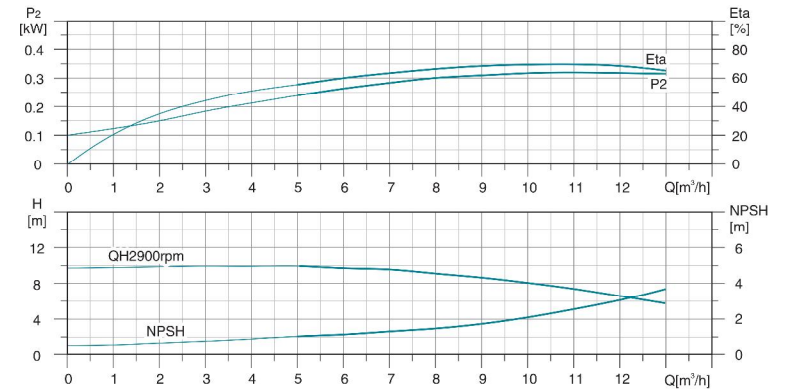
MODEL	OVAL FLANGE(LVR)		DIN FLANGE(LVS)		D1	D2
	B1	B1+B2	B1	B1+B2		
5-2	256	486	282	512	136	109
5-3	283	513	309	539	136	109
5-4	310	540	336	566	136	109
5-5	341	591	367	617	155	124
5-6	368	618	394	644	155	124
5-7	395	645	421	671	155	124
5-8	422	672	448	698	155	124
5-9	465	775	491	801	175	137
5-10	492	802	518	828	175	137
5-11	519	829	545	855	175	137
5-12	546	856	572	882	175	137
5-13	573	883	599	909	175	137
5-14	600	910	626	936	175	137
5-15	627	937	653	963	175	137
5-16	654	964	680	990	175	137
5-18	712	1042	738	1068	195	151
5-20	766	1096	792	1122	195	151
5-22	820	1177	846	1203	219	169
5-24	874	1231	900	1257	219	169
5-26	928	1285	954	1311	219	169
5-29	1009	1366	1035	1392	219	169

Note: B1 and B1+B2 of clamp connector and threaded connector are in compliance with that of DIN flange.

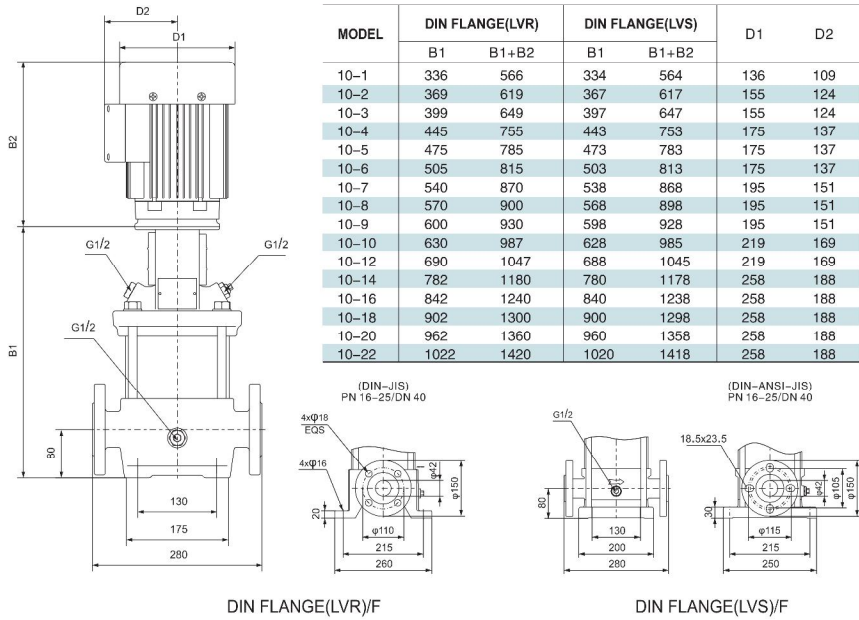
Hydraulic Performance Curves



MODEL	POWER[kW]	Q[m³/h]	1	2	3	4	5	6	7
5-2	0.37	H(m)	13	12	12	10	9	7	6
5-3	0.55		19	19	18	16	15	12	10
5-4	0.55		26	25	24	22	19	16	14
5-5	0.75		33	32	30	28	24	22	18
5-6	1.1		40	38	37	34	28	27	23
5-7	1.1		46	45	42	40	32	32	27
5-8	1.1		53	51	48	45	40	36	31
5-9	1.5		60	59	56	53	47	44	37
5-10	1.5		67	65	62	59	53	48	41
5-11	2.2		74	73	70	66	59	54	47
5-12	2.2		81	79	76	72	63	59	51
5-13	2.2		88	85	82	78	68	64	55
5-14	2.2		95	92	89	83	74	69	60
5-15	2.2		101	99	95	89	79	74	63
5-16	2.2	108	105	101	95	85	78	68	
5-18	3.0	122	119	115	109	98	90	78	
5-20	3.0	135	132	127	120	108	100	87	
5-22	4.0	150	147	142	134	120	112	97	
5-24	4.0	163	160	154	146	132	122	106	
5-26	4.0	176	173	166	157	145	132	115	
5-29	4.0	198	194	188	178	155	149	131	

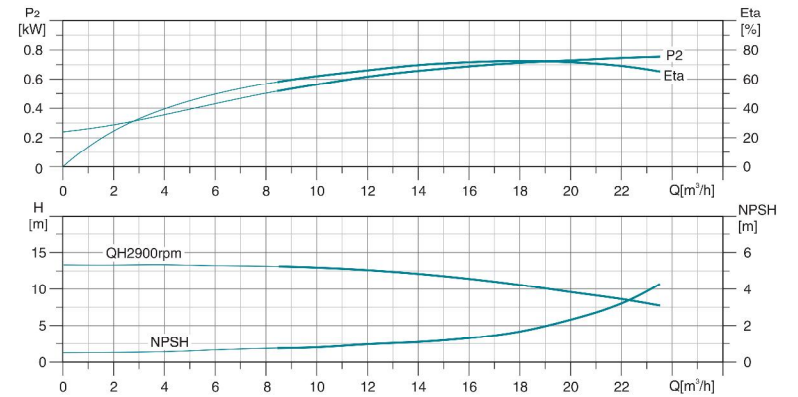
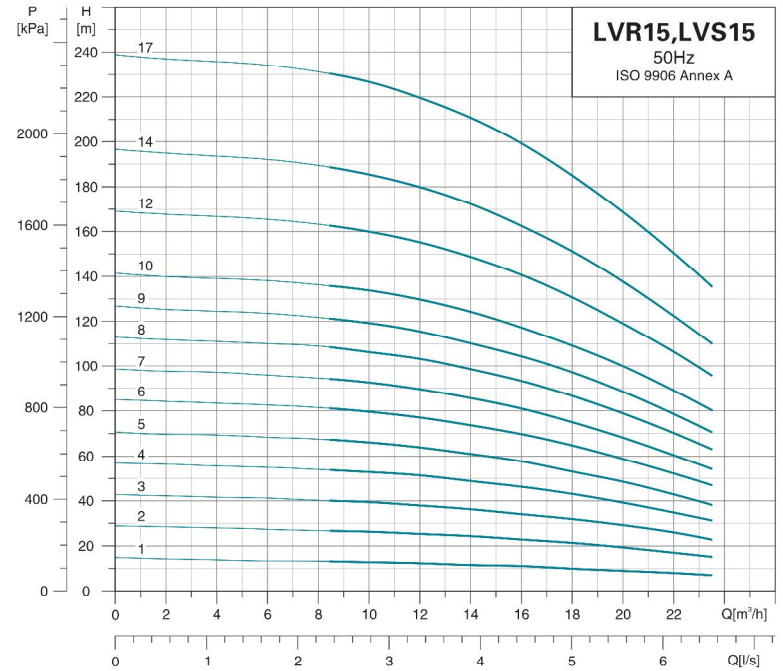


Dimension Drawing

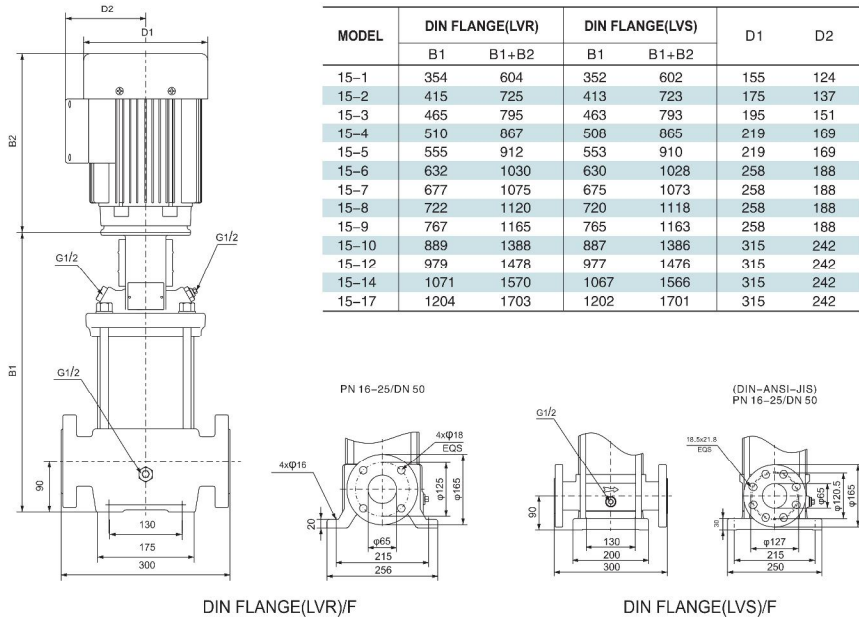


MODEL	POWER[kW]	Q[m ³ /h]	2	4	6	8	10	12
10-1	0.37	H(m)	10	10	9	8	7.5	5
10-2	0.75		20	20	19	18	15	12
10-3	1.1		30	30	29	26	23	18
10-4	1.5		40	40	40	36	32	26
10-5	2.2		51	51	50	46	40	33
10-6	2.2		61	61	59	55	48	39
10-7	3.0		72	72	70	65	56	46
10-8	3.0		82	82	80	74	64	53
10-9	3.0		92	92	89	82	70	59
10-10	4.0		102	102	100	93	80	66
10-12	4.0		122	122	119	110	95	79
10-14	5.5		143	144	140	130	113	94
10-16	5.5		163	163	159	148	128	106
10-18	7.5		185	186	182	169	147	123
10-20	7.5	206	204	201	188	164	136	
10-22	7.5	226	226	221	206	178	147	

Hydraulic Performance Curves



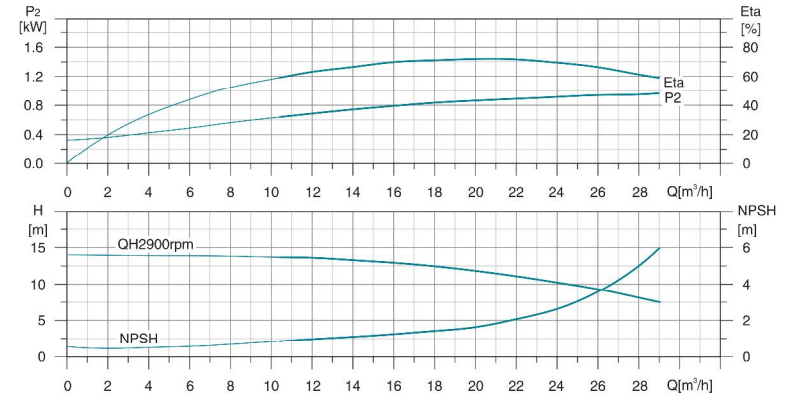
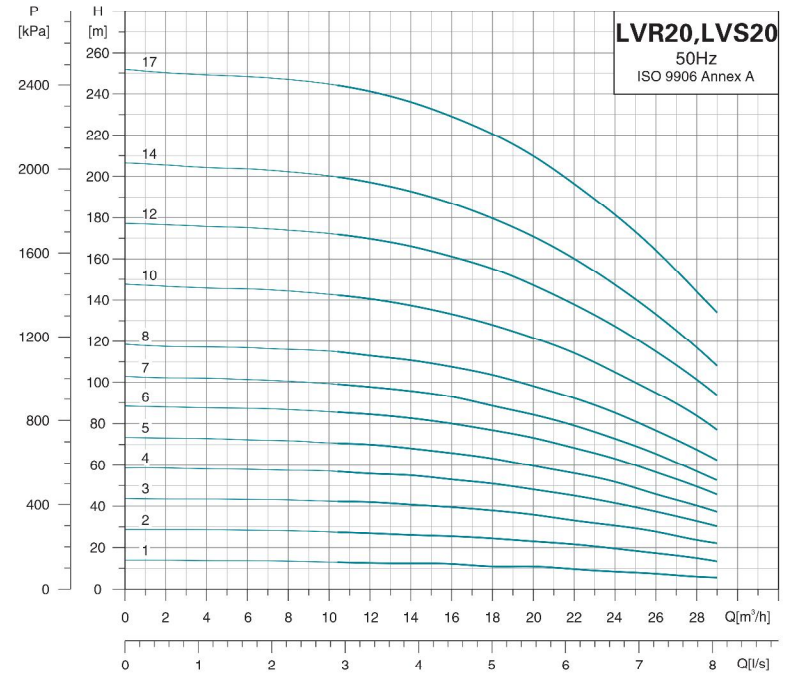
Dimension Drawing



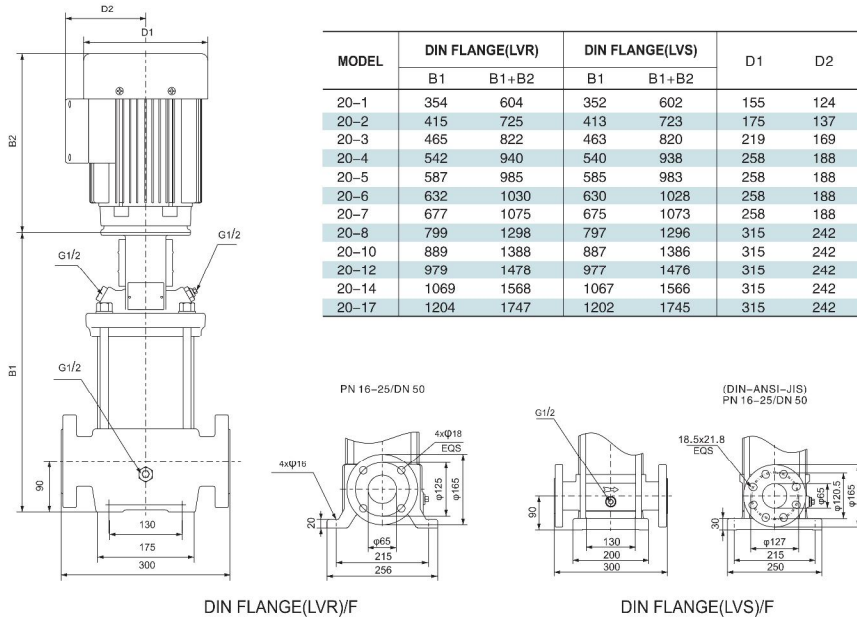
MODEL	DIN FLANGE(LVR)		DIN FLANGE(LVS)		D1	D2
	B1	B1+B2	B1	B1+B2		
15-1	354	604	352	602	155	124
15-2	415	725	413	723	175	137
15-3	465	795	463	793	195	151
15-4	510	867	508	865	219	169
15-5	555	912	553	910	219	169
15-6	632	1030	630	1028	258	188
15-7	677	1075	675	1073	258	188
15-8	722	1120	720	1118	258	188
15-9	767	1165	765	1163	258	188
15-10	889	1388	887	1386	315	242
15-12	979	1478	977	1476	315	242
15-14	1071	1570	1067	1566	315	242
15-17	1204	1703	1202	1701	315	242

MODEL	POWER[kW]	Q[m ³ /h]	3	6	9	12	15	18	21
15-1	1.1	H(m)	15	13	13	12	11	10	9
15-2	2.2		28	27	26	25	23	21	18
15-3	3.0		42	41	40	38	35	32	28
15-4	4.0		58	55	55	51	47	43	38
15-5	4.0		70	68	66	64	58	53	48
15-6	5.5		83	82	80	77	71	64	58
15-7	5.5		98	96	94	89	83	75	65
15-8	7.5		112	110	108	103	96	86	75
15-9	7.5		125	123	120	115	108	97	84
15-10	11.0		140	138	136	129	120	109	95
15-12	11.0		168	165	162	155	142	130	114
15-14	11.0		194	192	188	180	166	151	130
15-17	15.0		237	234	230	219	205	185	160

Hydraulic Performance Curves

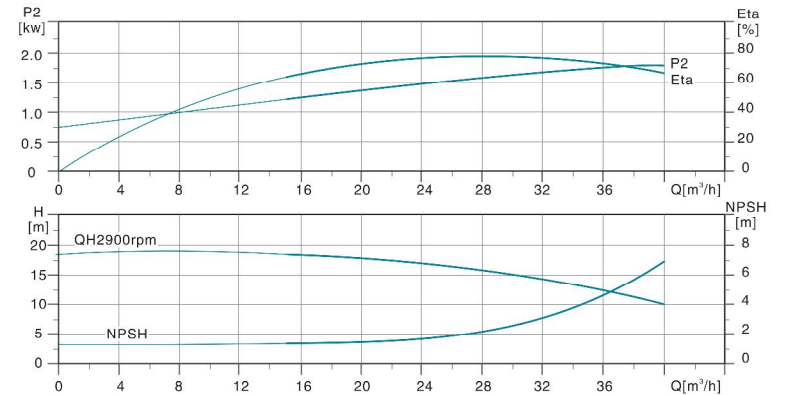
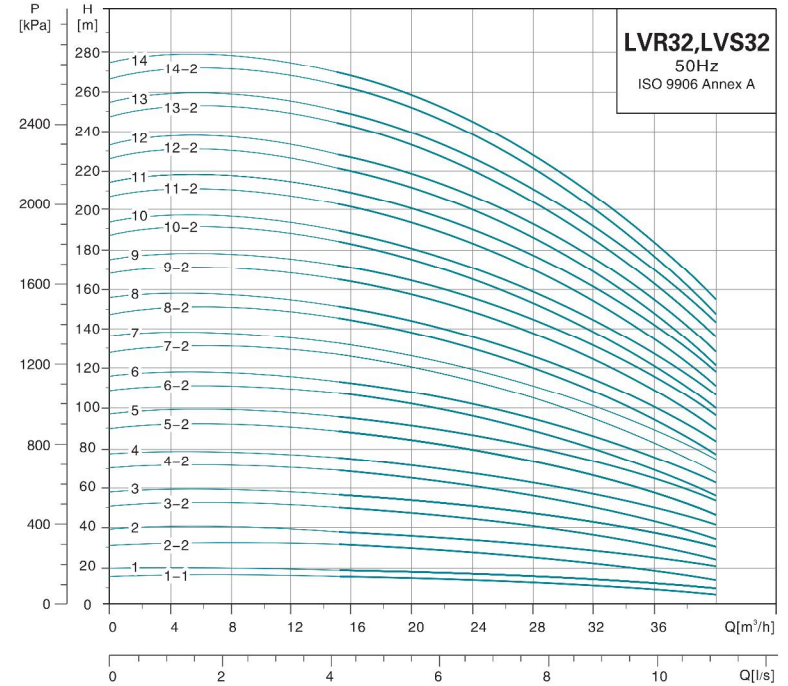


Dimension Drawing

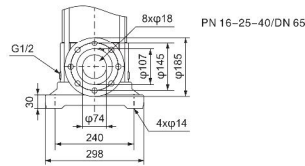
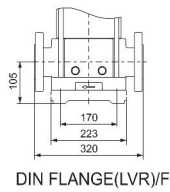
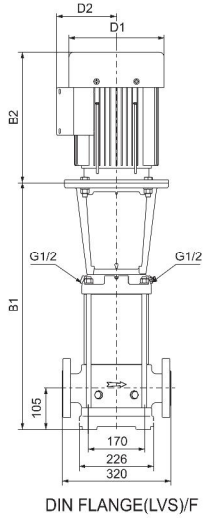


MODEL	POWER[kW]	Q[m ³ /h]	4	8	12	16	20	24	28
20-1	1.1	H(m)	13	13	13	12	10.5	9.5	6.5
20-2	2.2		28	28	27	25	22.5	19	15
20-3	4.0		43	43	42	39	36	30	23
20-4	5.5		58	57	56	53	48	41	32
20-5	5.5		73	72	70	66	60	52	40
20-6	7.5		87	83	84	80	72	62	49
20-7	7.5		102	100	97	93	84	72	57
20-8	11.0		117	116	113	107	96	85	67
20-10	11.0		146	144	140	132	120	105	83
20-12	15.0		175	174	169	161	144	127	101
20-14	15.0		204	202	197	187	168	147	117
20-17	18.5		249	247	241	229	205	181	144

Hydraulic Performance Curves

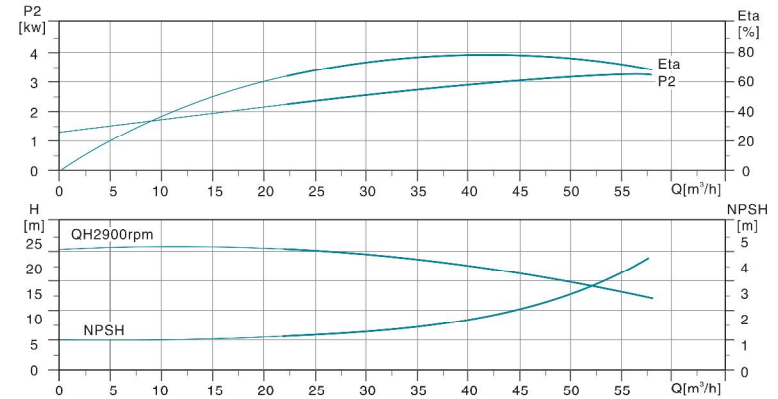
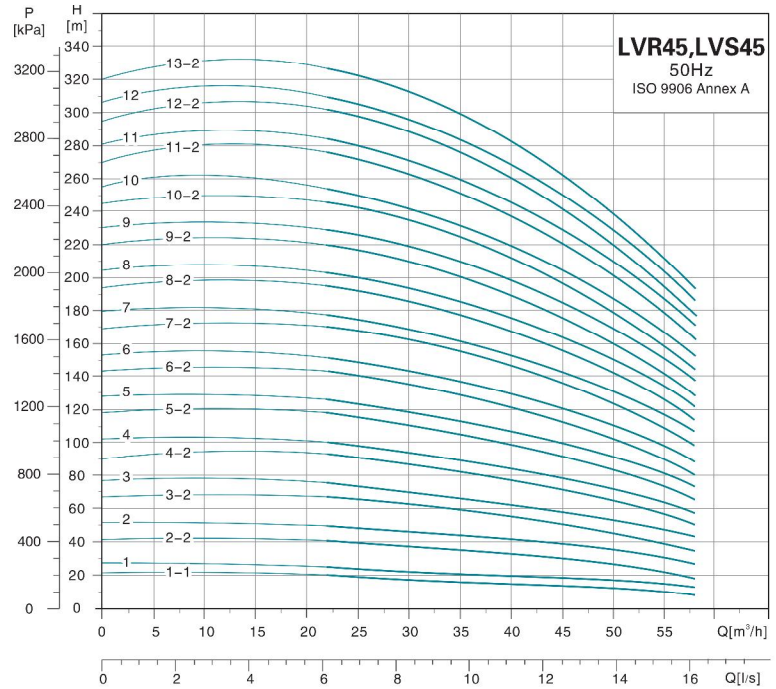


Dimension Drawing



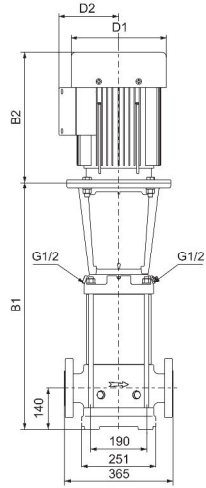
MODEL	DIN FLANGE(LVR, LVS)		D1	D2
	B1	B1+B2		
32-1-1	505	786	178	110
32-1	505	826	178	110
32-2-2	575	910	198	120
32-2	575	947	220	134
32-3-2	645	1036	220	134
32-3	645	1036	220	134
32-4-2	715	1106	220	134
32-4	715	1106	220	134
32-5-2	895	1393	334	263
32-5	895	1393	334	263
32-6-2	965	1463	334	263
32-6	965	1463	334	263
32-7-2	1035	1533	334	263
32-7	1035	1533	334	263
32-8-2	1105	1603	334	263
32-8	1105	1603	334	263
32-9-2	1175	1673	334	263
32-9	1175	1673	334	263
32-10-2	1245	1743	334	263
32-10	1245	1743	334	263
32-11-2	1315	1813	334	263
32-11	1315	1813	334	263
32-12-2	1385	1883	334	263
32-12	1385	1883	334	263
32-13-2	1455	1953	334	263
32-13	1455	1953	334	263
32-14-2	1525	2023	334	263
32-14	1525	2023	334	263

Hydraulic Performance Curves

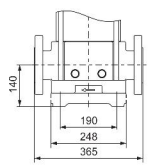


MODEL	POWER[kW]	Q[m³/h]	15	20	25	32	35	40
32-1-1	1.5	H(m)	15	14	13	10	8	5
32-1	2.2		18	17	16	13	11.5	9
32-2-2	3		31	29.5	26.5	20.5	17.5	12
32-2	4		37	35.5	32.5	27.5	25	19.5
32-3-2	5.5		50	47	43.5	35.5	31	22.5
32-3	5.5		55.5	53	49	41.5	37.5	29.5
32-4-2	7.5		68.5	65	60	49.5	44	32.5
32-4	7.5		74.5	70.5	66	56	50.5	40
32-5-2	11		88.5	84.5	78	65.5	58.5	45
32-5	11		94.5	90	84	72	65	52
32-6-2	11		107	102	94.5	79.5	71	55
32-6	11		113	108	100	85.5	77.5	61.5
32-7-2	15		127	121	112	94.5	85	66.5
32-7	15		133	126	118	101	92	73.5
32-8-2	15	145	138	128	108	98	76.5	
32-8	15	151	144	134	115	104	83	
32-9-2	18.5	165	158	147	124	112	88.5	
32-9	18.5	171	163	152	131	119	95.5	
32-10-2	18.5	184	175	163	138	125	98.5	
32-10	18.5	190	181	169	145	133	106	
32-11-2	22	203	194	181	154	140	111	
32-11	22	209	200	187	161	147	118	
32-12-2	22	222	212	197	168	152	121	
32-12	22	227	217	203	176	160	128	
32-13-2	30	244	233	218	187	169	136	
32-13	30	250	239	224	193	177	145	
32-14-2	30	263	251	234	201	183	146	
32-14	30	269	258	241	207	188	156	

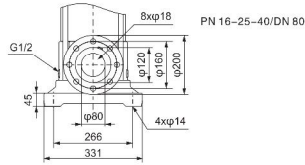
Dimension Drawing



DIN FLANGE(LVS)/F

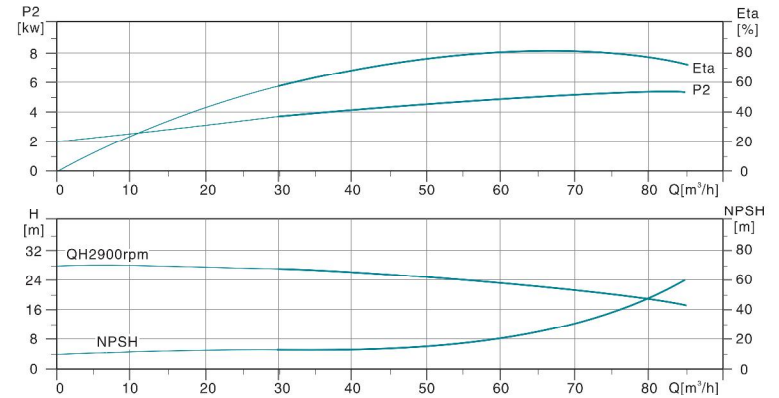
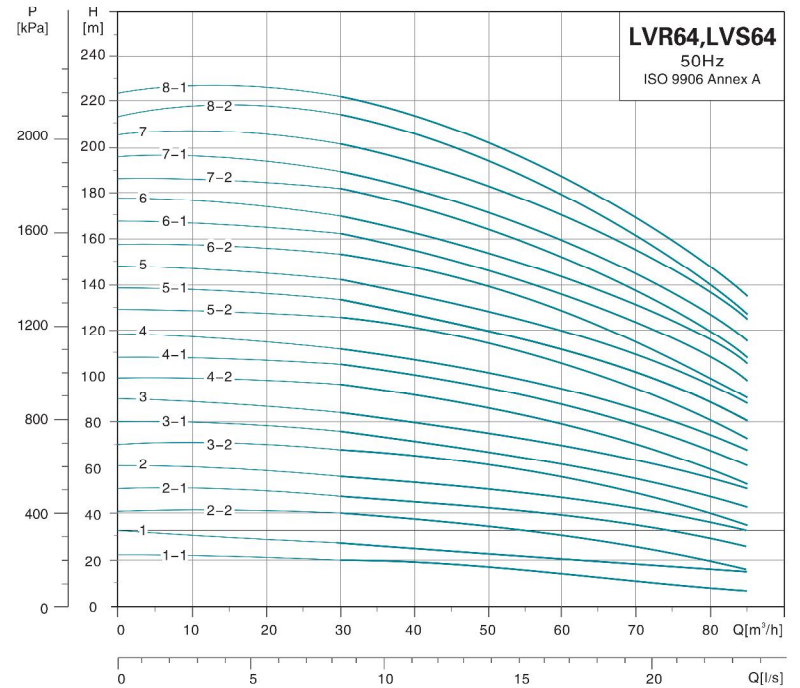


DIN FLANGE(LVR)/F



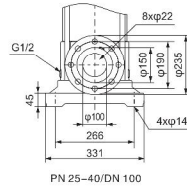
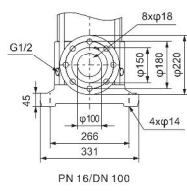
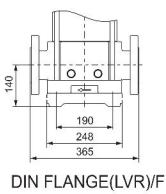
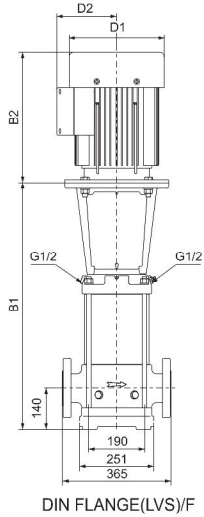
MODEL	DIN FLANGE(LVR, LVS)		D1	D2
	B1	B1+B2		
45-1-1	559	894	198	120
45-1	559	931	220	134
45-2-2	639	1030	220	134
45-2	639	1030	220	134
45-3-2	829	1327	334	263
45-3	829	1327	334	263
45-4-2	909	1407	334	263
45-4	909	1407	334	263
45-5-2	989	1487	334	263
45-5	989	1487	334	263
45-6-2	1069	1631	382	305
45-6	1069	1631	382	305
45-7-2	1149	1809	420	372
45-7	1149	1809	420	372
45-8-2	1229	1889	420	372
45-8	1229	1889	420	372
45-9-2	1309	1969	420	372
45-9	1309	1969	420	372
45-10-2	1389	2049	420	372
45-10	1389	2049	420	372
45-11-2	1469	2145	458	427
45-11	1469	2145	458	427
45-12-2	1549	2225	458	427
45-12	1549	2225	458	427
45-13-2	1629	2305	458	427

Hydraulic Performance Curves



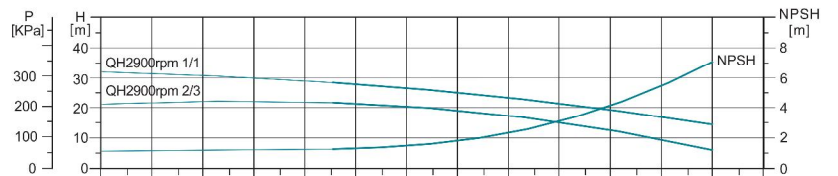
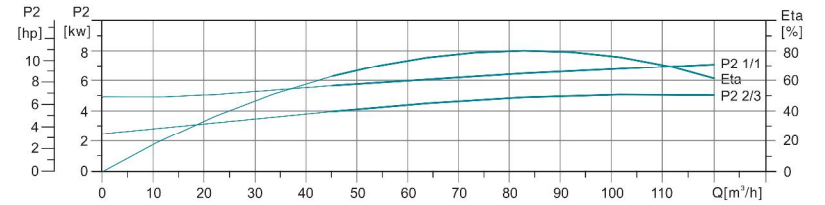
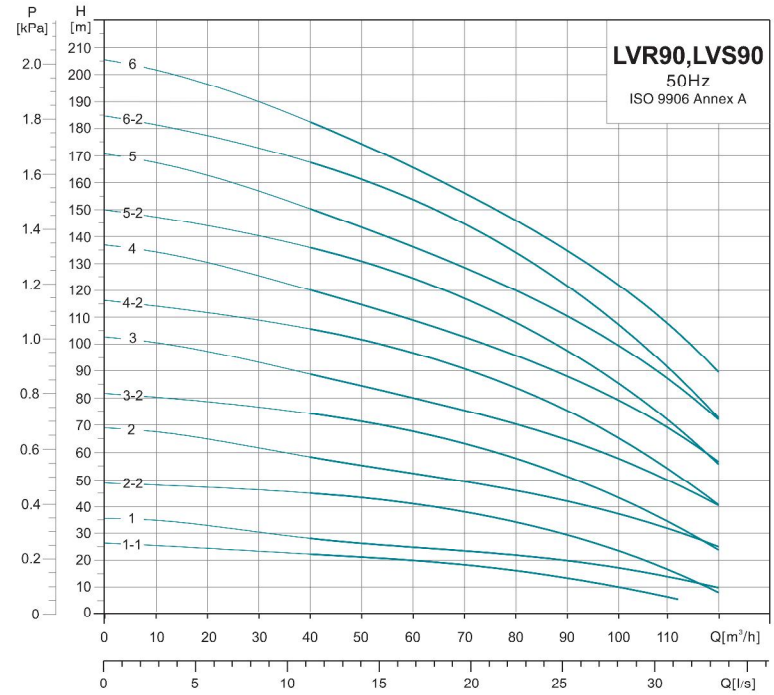
MODEL	POWER[kW]	Q[m³/h]	25	30	35	40	45	50	55
45-1-1	3	H(m)	20	19.5	18	17	15	12.5	10.5
45-1	4		24	23	22	20.5	19	17.5	15
45-2-2	5.5		41	39	37	34	30.5	26.5	22
45-2	7.5		48.5	46.5	44.5	42	39	35	31
45-3-2	11		66	64	61	56.5	52	46	40
45-3	11		73.5	71	68	64	59.5	54	47.5
45-4-2	15		91	88	84	78.5	72	64.5	56
45-4	15		98.5	95	91	85.5	79.5	72.5	64
45-5-2	18.5		116	113	107	101	92.5	83.5	73
45-5	18.5		124	120	115	108	100	91.5	81
45-6-2	22		142	137	131	122	113	103	90
45-6	22		149	144	138	130	121	111	98
45-7-2	30		168	163	156	147	135	123	109
45-7	30		176	171	163	155	144	132	116
45-8-2	30		193	187	179	168	155	142	125
45-8	30		200	194	187	176	164	149	134
45-9-2	37		217	211	202	189	175	159	142
45-9	37		226	219	210	199	185	170	151
45-10-2	37		243	236	225	212	198	179	159
45-10	37		251	243	233	220	205	187	166
45-11-2	45		273	264	253	238	222	201	179
45-11	45		281	272	261	246	230	209	187
45-12-2	45		298	289	276	261	242	220	195
45-12	45		306	296	284	268	251	229	204
45-13-2	45		323	313	300	283	263	239	212

Dimension Drawing



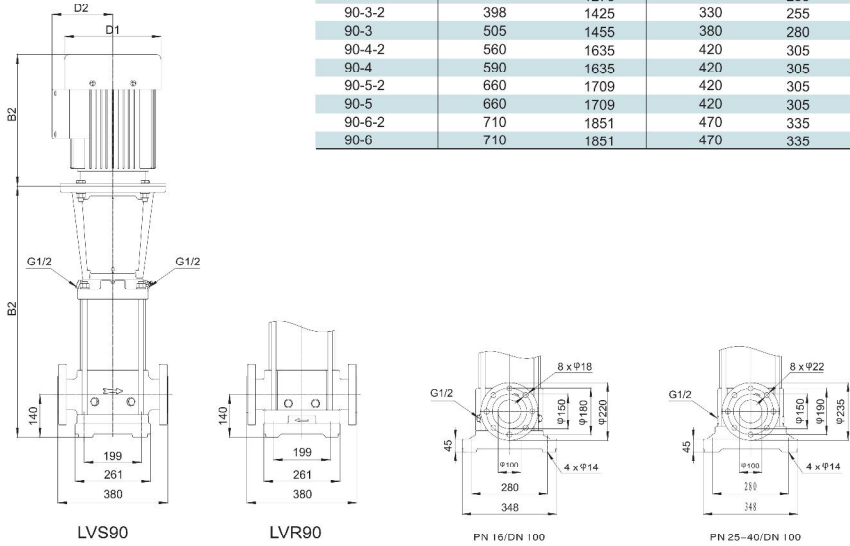
MODEL	DIN FLANGE(LVR. LVS)		D1	D2
	B1	B1+B2		
64-1-1	561	933	220	134
64-1	561	952	220	134
64-2-2	644	1035	220	134
64-2-1	754	1252	334	263
64-2	754	1252	334	203
64-3-2	836	1334	334	263
64-3-1	836	1334	334	263
64-3	836	1334	334	263
64-4-2	919	1417	334	263
64-4-1	919	1481	382	305
64-4	919	1481	382	305
64-5-2	1001	1661	420	372
64-5-1	1001	1661	420	372
64-5	1001	1661	420	372
64-6-2	1084	1744	420	372
64-6-1	1084	1744	420	372
64-6	1084	1744	420	372
64-7-2	1166	1826	420	372
64-7-1	1166	1826	420	372
64-7	1166	1842	458	427
64-8-2	1249	1925	458	427
64-8-1	1249	1925	458	427

Hydraulic Performance Curves



MODEL	POWER[kW]	Q[m³/h]	30	40	50	64	70	80
64-1-1	4	H(m)	20	19	17.5	15.5	12	8.5
64-1	5.5		27	25.5	23.5	21.5	20	17
64-2-2	7.5		40	38	35.5	31	25.5	19
64-2-1	11		48	45.5	42.5	38	34.5	29
64-2	11		55	52.5	49.5	44.5	41.5	36
64-3-2	15		68	65.5	60	54	48.5	40
64-3-1	15		75.5	72	67.5	60	55.5	47
64-3	18.5		83.5	80	76	66.5	64	56
64-4-2	18.5		96	92.5	87	76	70	59
64-4-1	22		104	100	94.5	82.5	78.5	67.5
64-4	22		112	107	102	89	85.5	74.5
64-5-2	30		126	122	115	100	94	80.5
64-5-1	30		134	129	122	106	102	88
64-5	30		141	136	129	113	109	96
64-6-2	30		154	148	140	122	115	99
64-6-1	37		162	156	148	129	124	108
64-6	37	170	163	155	135	131	116	
64-7-2	37	182	176	166	145	138	119	
64-7-1	37	190	183	173	151	145	126	
64-7	45	202	194	184	163	155	136	
64-8-2	45	214	207	196	172	163	140	
64-8-1	45	222	214	203	180	170	148	

Dimension Drawing



MODEL	DIN FLANGE(LVR, LVS)		D1	D2
	B1	B1+B2		
90-1-1	310	969	275	210
90-1	310	969	275	210
90-2-2	330	1278	330	255
90-2	398	1278	330	255
90-3-2	398	1425	330	255
90-3	505	1455	380	280
90-4-2	560	1635	420	305
90-4	590	1635	420	305
90-5-2	660	1709	420	305
90-5	660	1709	420	305
90-6-2	710	1851	470	335
90-6	710	1851	470	335

MODEL	POWER[kW]	Q[m³/h]	50	60	70	80	90	100	110
90-1-1	5.5	H(m)	21	20	18	16	14	10.5	6.5
90-1	7.5		26	25	23.5	22	20	17.5	14
90-2-2	11		43	41	38	34.5	30	24	17
90-2	15		55	52	49	46	42.5	37.5	31.5
90-3-2	18.5		71.5	68	63.5	58	51.5	44	35
90-3	22		84.5	80	75.5	70.5	65	58.5	50.5
90-4-2	30		102	97	91	84.5	76	65.5	54
90-4	30		114	109	103	96	88.5	79.5	69.5
90-5-2	37		131	125	118	109	98.5	86.5	72
90-5	37		144	136	129	121	111	101	87
90-6-2	45		161	154	145	135	123	108	91.5
90-6	45		175	166	156	146	135	123	108

Application

- Water supply: Pressure boosting for main pipes and high-rise buildings.
- Industrial pressure boosting: Water system, cleaning system, high pressure washing system and firefighting system.
- Pressure boosting for pressure tank, sprinkling irrigation and trichling irrigation.
- Air conditioner, cooling system and industrial cleaning.

Features

- Applicable for a wide scope of different temperatures, flow rates and pressure ranges.
- Water inlet and outlet can be rotated for proper assembly in accordance with installation requirement.
- Easy installation and maintenance.
- Advanced hydraulic model design, featuring stable operation and high efficiency.
- Cast iron water inlet and outlet with special anti-rust treatment.
- High-strength engineering plastic flow passage components.
- Reliable stainless steel welded shaft.

Working Conditions

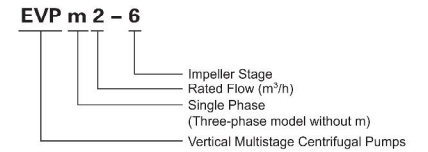
- Liquid temperature: +5°C ~ 60°C
- Maximum ambient temperature: +40°C
- Maximum pressure: 10 bar
- Altitude: up to 1000 m



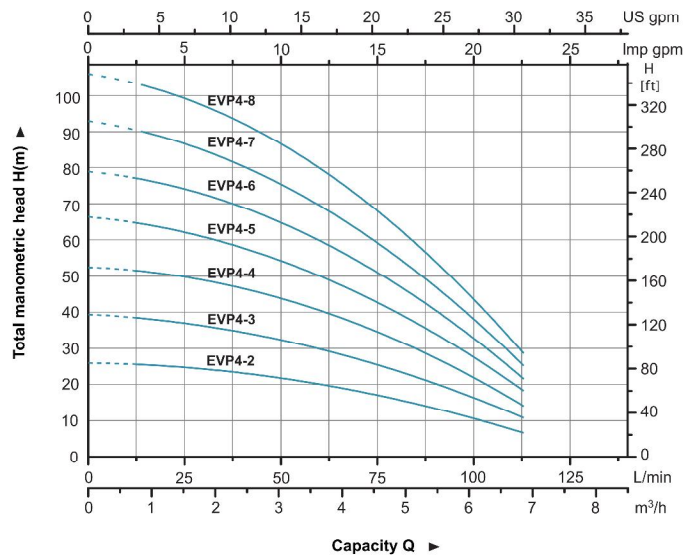
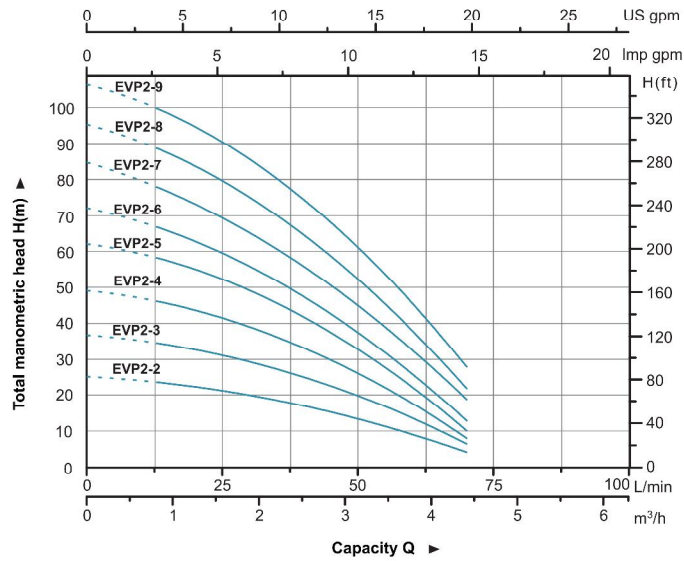
Model Selection Instructions

- Voltage and frequency: Single-phase 220-240V/50Hz;
Three-phase 380-415V/50Hz.
- Please choose the pump with appropriate flow rate and head to meet your actual demand.

Identification Codes



Hydraulic Performance Curves

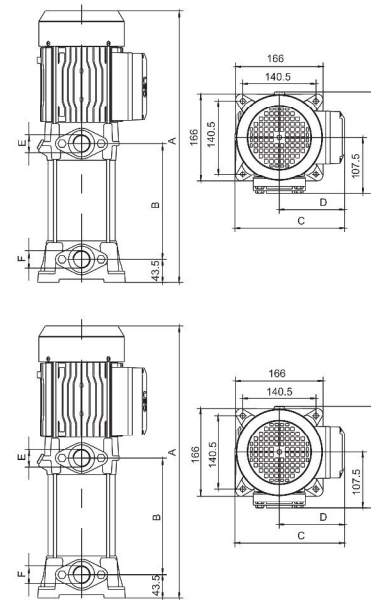


Technical Data

Model		Power		Q (m³/h)					
Single-phase	Three-phase	kW	HP	0	1	2	3	4	
EVPm2-2	EVP2-2	0.37	0.5	0	16.7	33.3	50	66.7	66.7
EVPm2-3	EVP2-3	0.55	0.75	25	23	19	13	6	
EVPm2-4	EVP2-4	0.75	1.0	37	33	28	20	9	
EVPm2-5	EVP2-5	1.0	1.33	49	45	37	26	11	
EVPm2-6	EVP2-6	1.0	1.33	62	57	46	33	15	
EVPm2-7	EVP2-7	1.1	1.5	72	65	53	37	18	
EVPm2-8	EVP2-8	1.5	2.0	85	75	62	45	25	
EVPm2-9	EVP2-9	1.5	2.0	95	87	71	52	28	
				106	98	82	60	35	

Model		Power		Q (m³/h)						
Single-phase	Three-phase	kW	HP	0	1	2	3	4	5	6
EVPm4-2	EVP4-2	0.55	0.75	0	16.7	33.3	50	66.7	83.3	100
EVPm4-3	EVP4-3	0.75	1.0	26	25	24	22	19	15	10
EVPm4-4	EVP4-4	1.0	1.33	39	38	36	33	28	22	15
EVPm4-5	EVP4-5	1.5	2.0	52	51	49	44	38	30	21
EVPm4-6	EVP4-6	1.5	2.0	66	64	60	55	47	37	27
—	EVP4-7	2.2	3.0	78	77	72	65	56	45	31
—	EVP4-8	2.2	3.0	92	90	84	76	65	52	36
—	—	—	—	105	103	97	86	75	60	42

Dimension



Model		Power (P2)		Dimensions					
Single-phase	Three-phase	kW	HP	A	B	C	D	E	F
EVPm2-2	EVP2-2	0.37	0.5	382	120	193	110	G1	G1
EVPm2-3	EVP2-3	0.55	0.75	406	144	193	110	G1	G1
EVPm2-4	EVP2-4	0.75	1.0	430	168	193	110	G1	G1
EVPm2-5	EVP2-5	1.0	1.33	454	192	193	110	G1	G1
EVPm2-6	EVP2-6	1.0	1.33	478	216	193	110	G1	G1
EVPm2-7	EVP2-7	1.1	1.5	545	247.5	210	125	G1	G1
EVPm2-8	EVP2-8	1.5	2.0	569	271.5	210	125	G1	G1
EVPm2-9	EVP2-9	1.5	2.0	593	295.5	210	125	G1	G1

Model		Power (P2)		Dimensions					
Single-phase	Three-phase	kW	HP	A	B	C	D	E	F
EVPm4-2	EVP4-2	0.55	0.75	382	120	193	110	G1	G1
EVPm4-3	EVP4-3	0.75	1.0	406	144	193	110	G1	G1
EVPm4-4	EVP4-4	1.0	1.33	430	168	193	110	G1	G1
EVPm4-5	EVP4-5	1.5	2.0	497	199.5	210	125	G1	G1
EVPm4-6	EVP4-6	1.5	2.0	521	223.5	210	125	G1	G1
—	EVP4-7	2.2	3.0	545	247.5	210	125	G1	G1
—	EVP4-8	2.2	3.0	569	271.5	210	125	G1	G1

Application

- It is widely used for heating ventilating and air conditioning (HVAC) circulation, pressure boosting of hot water in family, homes powered by solar energy, industrial auxiliary equipment cold and hot water circulation and so forth
- Water circulation for the central and district heating system
- Domestic hot water circulation

Pump

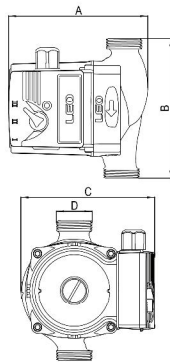
- Bronze or anti-rust cast iron pump body
- Noryl impeller with heat resistance up to 150°C
- 99% alumina ceramic shaft
- Liquid temperature: 2°C - 110°C

Motor

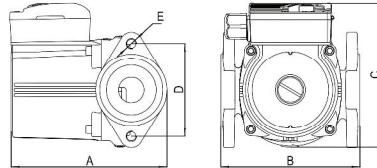
- Insulation class: H
- Protection class: IPX4
- 99% alumina ceramic bearing
- Copper winding
- Three speed motor



Dimension Drawing



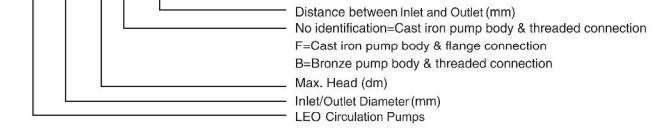
MODEL	A (mm)	B (mm)	C (mm)	D
LRP15-50/130	130	130	125	G1
LRP15-50B/130	130	130	125	G1.2
LRP20-50/130	130	130	125	G1.2
LRP25-50/130	130	130	125	G1.5
LRP25-50/180	130	180	125	G1.5
LRP32-50/180	135	180	125	G2
LRP15-60/130	130	130	125	G1
LRP15-60B/130	130	130	125	G1
LRP20-60/130	130	130	125	G1.2
LRP25-60/130	130	130	125	G1.5
LRP25-60/180	130	180	125	G1.5
LRP32-60/180	135	180	125	G2



MODEL	A (mm)	B (mm)	C (mm)	D
LRP21-50F/120	130	130	125	M10
LRP21-60F/120	130	130	125	M10

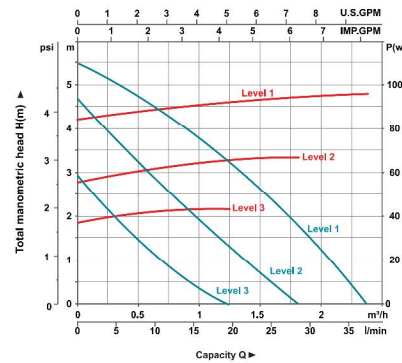
Identification Codes

LRP 15 - 50 B / 130

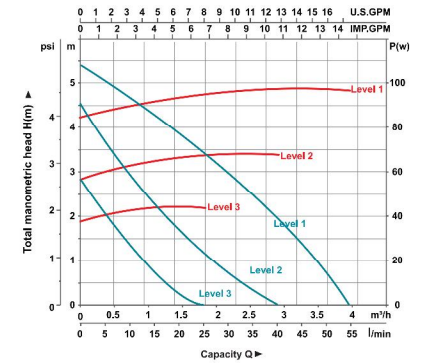


MODEL	POWER	POWER(W)			Max. Flow (l/min)	Max. Head (m)	Inlet/Outlet (mm)	Pipe Size (inch)	N.W. (kgs)	G.W. (kgs)	Packing Size (mm)
		3	2	1							
LRP15-50/130	1-230V/50Hz	85	60	40	40/32/23	4.5/3.8/2.5	15	1	2.32	2.45	151x140x149
LRP15-50B/130	1-230V/50Hz	85	60	40	40/32/23	4.5/3.8/2.5	15	1	2.41	2.54	151x140x149
LRP20-50/130	1-230V/50Hz	85	60	40	47/37/25	4.5/3.8/2.5	20	1.2	2.37	2.5	151x140x149
LRP21-50F/120	1-230V/50Hz	85	60	40	58/45/32	4.5/3.8/2.5	21	1.2	2.65	2.78	151x140x149
LRP25-50/130	1-230V/50Hz	85	60	40	55/43/28	4.5/3.8/2.5	25	1.5	2.44	2.57	151x140x149
LRP25-50/180	1-230V/50Hz	85	60	40	60/47/32	4.5/3.8/2.5	25	1.5	2.55	2.705	195x140x156
LRP32-50/180	1-230V/50Hz	85	60	40	60/47/32	4.5/3.8/2.5	32	2	2.73	2.885	195x140x156
LRP15-60/130	1-230V/50Hz	96	69	45	40/32/23	5.5/4.5/2.8	15	1	2.32	2.45	151x140x149
LRP15-60B/130	1-230V/50Hz	96	69	45	40/32/23	5.5/4.5/2.8	15	1	2.41	2.54	151x140x149
LRP20-60/130	1-230V/50Hz	96	69	45	53/37/25	5.5/4.5/2.8	20	1.2	2.37	2.5	151x140x149
LRP21-60F/120	1-230V/50Hz	96	69	45	60/45/32	5.5/4.5/2.8	21	1.2	2.65	2.78	151x140x149
LRP25-60/130	1-230V/50Hz	96	69	45	58/43/28	5.5/4.5/2.8	25	1.5	2.44	2.57	151x140x149
LRP25-60/180	1-230V/50Hz	96	69	45	66/47/32	5.5/4.5/2.8	25	1.5	2.55	2.705	195x140x156
LRP32-60/180	1-230V/50Hz	96	69	45	66/47/32	5.5/4.5/2.8	32	2	2.73	2.885	195x140x156

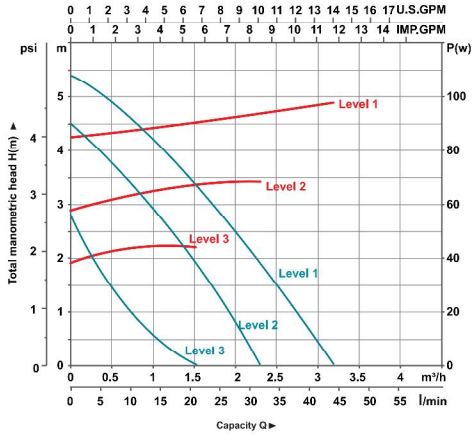
Hydraulic Performance Curve



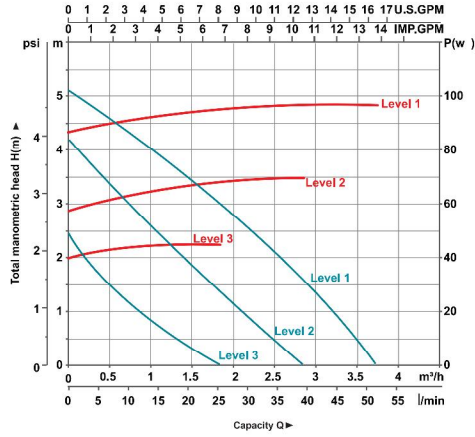
LRP15-60B/130
LRP15-60/130
— Q-H
— Q-P



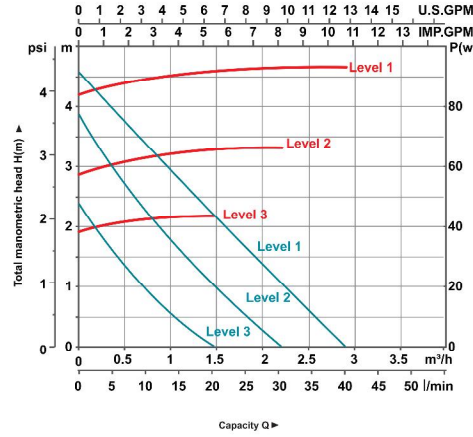
LRP32-60/180
— Q-H
— Q-P



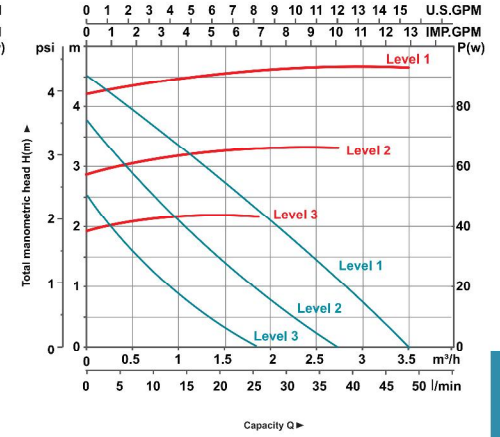
LRP20-60/130
— Q-H
— Q-P



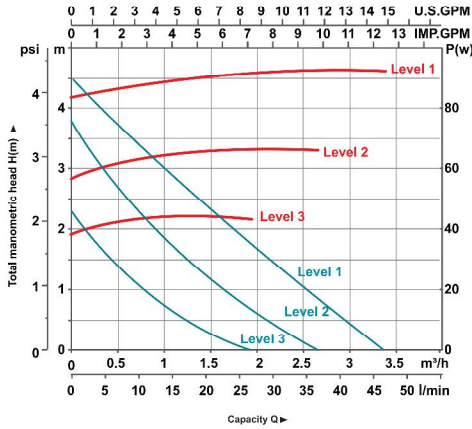
LRP21-60F/120
— Q-H
— Q-P



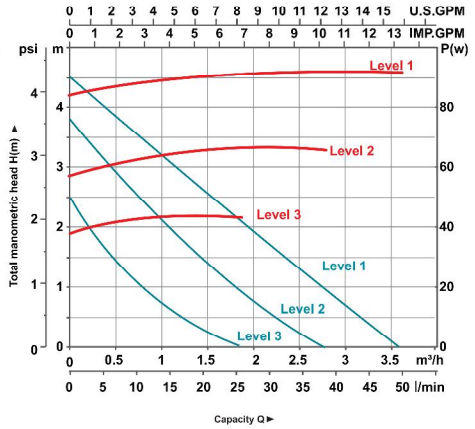
LRP20-50/130
— Q-H
— Q-P



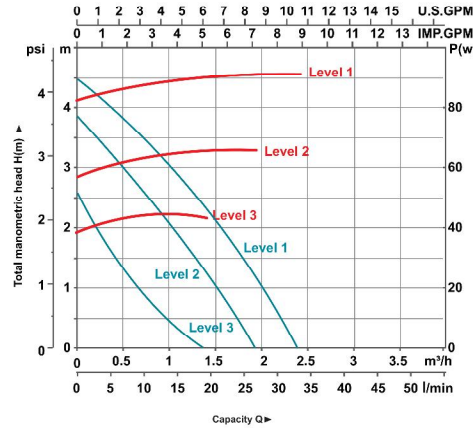
LRP21-50F/120
— Q-H
— Q-P



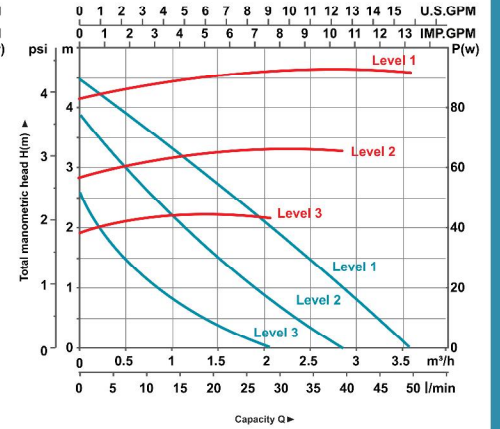
LRP25-50/130
— Q-H
— Q-P



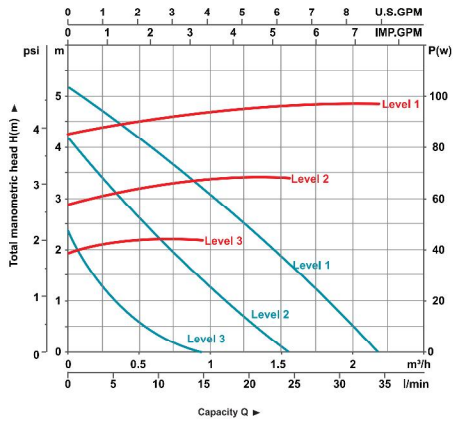
LRP25-50/180
— Q-H
— Q-P



LRP15-50B/130
LRP15-50/130
— Q-H
— Q-P

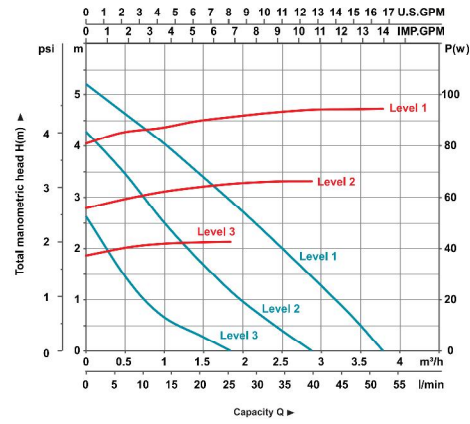


LRP32-50/180
— Q-H
— Q-P



LRP25-60/130

— Q-H
— Q-P

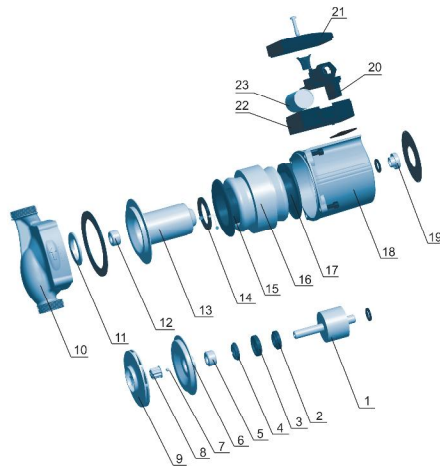


LRP25-60/180

— Q-H
— Q-P

Materials Table

No.	Part	Material
1	Rotor	
2	Thrust bearing adjusting mat	Noryl
3	Thrust bearing rubber mat	Silicon rubber
4	Thrust bearing	Graphite
5	Front bearing	Alumina
6	Pump support cover	Stainless steel
7	Check ball	Silicon rubber
8	Locking	Stainless steel
9	Impeller	PPO
10	Pump body	Cast Iron/Bronze
11	Pump body insert	Stainless steel
12	Back bearing	Alumina
13	Can brg asm	Stainless steel
14	Can brg asm seal	Silicon rubber
15	Stator cover (front)	PA66
16	Stator	
17	Stator cover (back)	PA66
18	Pump shell	ADC12
19	Drain plug	Copper
20	Speed regulation board	
21	Terminal cover	ABS
22	Terminal box	PC
23	Capacitor	



TANK



Model	Max. Pressure	Nominal Capacity	Actual Capacity	Membrane	Max. Temp	Connection
24ST	8	24	24	N.R	60°C	G1"

The service life of air bag is 50,000 times.

Model	Max. Pressure	Nominal Capacity	Actual Capacity	Membrane	Max. Temp	Connection
2VT	8	2	2	EPDM	99°C	G1/2"
4VT	8	4	4	N.R	60°C	G1"
8VT	8	8	8	N.R	60°C	G1"
19VT	8	19	17	N.R	60°C	G1"
19VTT	8	19	19	N.R	60°C	G1"
24VT	8	24	20	N.R	60°C	G1"
24VTT	8	24	24	N.R	60°C	G1"
36VT	8	36	36	N.R	60°C	G1"

The service life of air bag is 50,000 times.



Model	Max. Pressure	Nominal Capacity	Actual Capacity	Membrane	Max. Temp	Connection
19CT1	8	19	17	N.R	60°C	G1"
19CTT1	8	19	19	N.R	60°C	G1"
24CT1	8	24	20	N.R	60°C	G1"
24CTT1	8	24	24	N.R	60°C	G1"
36CT1	8	36	36	N.R	60°C	G1"
50CT1	8	50	38	N.R	60°C	G1"
50CTT1	8	50	50	N.R	60°C	G1"
60CT1	8	60	60	N.R	60°C	G1"
80CT1	8	80	80	N.R	60°C	G1"
100CT1	8	100	100	N.R	60°C	G1"

The service life of air bag is 50,000 times.



Model	Max. Pressure	Nominal Capacity	Actual Capacity	Membrane	Max. Temp	Connection
50FT	8	50	50	N.R	60°C	G1"
60FT	8	60	60	N.R	60°C	G1"
80FT	8	80	80	N.R	60°C	G1"
100FT	8	100	100	N.R	60°C	G1"

The service life of air bag is 50.000 times.

3-WAY/5-WAY



5TA

5TB

3TA

Model	Connection	Length
3TA	1"GAS	70. 80. 90
5TA	1"GAS	70. 80. 90
5TB	1"GAS	70. 80. 90

FOOT VALVE



FVA

Model	Connection
FVA1	1"
FVA1.25	1 1/4"
FVA1.5	1 1/2"
FVA2	2"
FVA3	3"

- Stainless steel mesh
- Can be used as a check valve

PRESSURE SWITCH



PS-02C



PS-02B

- High precision
- High sensitivity
- Adjustable pressure range 1.4–5.6 bar
- G1/4"

- High precision
- High sensitivity
- Adjustable pressure range 1.4–5.6 bar
- G1/4"

PRESSURE GAUGE



Axial

Radial



- Two connection types: (1)G1/4" (2)M10×1
- For 40mm gauge . the scale: 0-6 bar
- For 50mm gauge . the scale: 0-10 bar or 0-6 bar
- Back/bottom connection

MISSION & VISION

Mission of LEO

To Focus on the development of safe and environment-friendly fluid machinery, and create value for all stakeholders.

Vision of LEO

To elevate the image of Chinese fluid machinery industry, being a sustainable developmental leading enterprise in this industry.

Culture of LEO

LEO people respect the core values of running business with virtue, pursuing success with perfection, winning victory with efficiency and going forward with right actions. Meanwhile, the principles of prompt decision, prompt R&D, prompt manufacturing and prompt service are followed to provide the customers high-value products & service, and to create value for all stakeholder continuously.



相爱·共荣
LOVE EACH OTHER

TO KNOW LEO

Zhejiang LEO Co., Ltd. (got listed in Shenzhen Stock Exchange with stock code 002131) is a national high-tech enterprise engaged in R&D, design, manufacture, sales and service of all series pumps. LEO is the first listed company in Chinese pump industry, one of the drafters of pump industry standard and the vice president of drainage and irrigation machinery branch of China Agricultural machinery industry association as well. It is mentionable that LEO has the only state-authorized technical center in this industry.

Our products have been sold to over 120 countries and regions, such as Europe, North America, Central & South America, Southeast Asia, Middle East, Africa, Oceania, etc., which play a crucial role in water conservancy, water resources, electric power construction, petrochemical industry, mining, metallurgy, fire-fighting, HVAC (Heating, Ventilation and Air Conditioning), agricultural irrigation, civil water supply and drainage, etc.

LEO has currently two industrial groups respectively for industrial and civilian applications. With five manufacturing bases in Wenling of Zhejiang, Xiangtan of Hunan, Changsha of Hunan, Wuxi of Jiangsu and Dalian of Liaoning, LEO possesses a solid foundation to become a world-class pump and system solution provider rapidly.

With over 70 years' professional technology, LEO will continue her consistent creativity and development ability in each pump for human's health.

■ COMPANY GOAL

LEO aims to be a world-class pump and system solution provider.

■ COMPANY CORE BUSINESS

Focus on R&D, manufacture and sales of all series of pumps and systems in industrial and civilian fields.



NUMEROUS MEMBERS, ONE FAMILY

Based on market segment, Leo's pump business is divided into 5 fields, namely water conservancy & water resources, power station, petrochemical industry, mining & metallurgical industry and civilian applications. For each field there's a professional manufacturing base with relevant professional sales teams. Four subsidiary companies – Wuxi LEO Xi Pump, Changsha LEO Swan Pump, Dalian LEO Huaneng Pump and Hunan LEO Pump are all well-known industrial pump manufacturers in their own fields. With over 70 years' industrial pump manufacturing experience and extraordinary comprehensive strength, LEO becomes a leading company among all industrial pump manufacturers in China.



Core Manufacturing Base for Mine and Metallurgy Pumps

This base is the most important R&D, manufacturing and testing center of LEO group. The leading products include large mixed flow pump, large mixed axial flow pump (vertical, horizontal, oblique, tubular, submersible etc.), double-suction centrifugal pump, multistage centrifugal pump, slurry pump, desulfurization pump and submerged centrifugal pump. Conventional products are mainly used in mine, metallurgy, coal washing, FGD, municipal water etc. There are numerous high-grade precision and advanced processing equipments, such as 8m CNC vertical lathe and 5-axis linkage machining center. A world-class pump testing center with testing power up to 12,500 kW realizes high precision tests for real pumps which are used for power station, water conservancy and water resources, petrochemical industry, mining and metallurgical industry.



Pump Manufacturing Base for Water Conservancy & Water Resources

This base grew out of Wuxi Xi Pump Manufacturing Co., Ltd, a well-known manufacturer for water conservancy. The base is specialized in production of large and medium-sized pumps for urban water supply and drainage, farmland irrigation, water conservancy projects and large water diversion project. The main products cover 8 series with 995 specifications. With great honor, the model 300HW-8 mixed-flow pump won the first national quality award of Chinese pump industry. As a main supplier, the base provides large pumps for South-to-North Water Diversion Project, a national key project.



Pump Manufacturing Base for Power Stations

This base is formerly known as Changsha Swan Industrial Pump Co., Ltd, a famous pump producer for power stations. The base is specialized in production of pumps for conventional and nuclear power plants as well as designing and manufacturing of boiler feed pump, circulating pump, condensate pump, drain pump, open and closed pump, FGD pump, liquid ring vacuum pump for power stations. There're totally 24 series with over 3000 specifications available. As an experienced designer, the base has good operation achievement in 200MW, 300MW, 600MW and 1000MW power unit.



Pump Manufacturing Base for Petrochemical Industry

The predecessor of this base is Dalian Huaneng Corrosion-Resistant Pump Works, who's a well-know pump manufacturer in petrochemical industry. The base is specialized in production of petrochemical pumps for the upstream industry of oil and gas (including exploration, exploitation and storage) and downstream industry of petrochemicals (including crude oil refinery, heavy chemical industry, fine chemistry and coal chemical industry). The base focuses on design and manufacture of 30 series (OH, BB, VS, etc.) of petrochemical pumps with over specifications, which are in accordance with API and ISO standard. The production of large crude oil long distance pipeline pump (BB1 and BB3) and HTHP overloaded pump (BB3 and BB5) is available. LNG cryo-pump is already in development. The base is Class A supplier of CNPC and qualified sub supplier of Shenhua Group.



Pump Manufacturing Base for Civilian Applications

This base is specialized in production of domestic pumps for family water supply, pipeline boost, HVAC, garden irrigation, farmland irrigation, etc. The product range covers 15 series with over 2000 specifications, which are well sold in Europe and America. The base has established steady cooperative relationships with world-famous pump manufacturers, importers, dealers and large supermarkets.